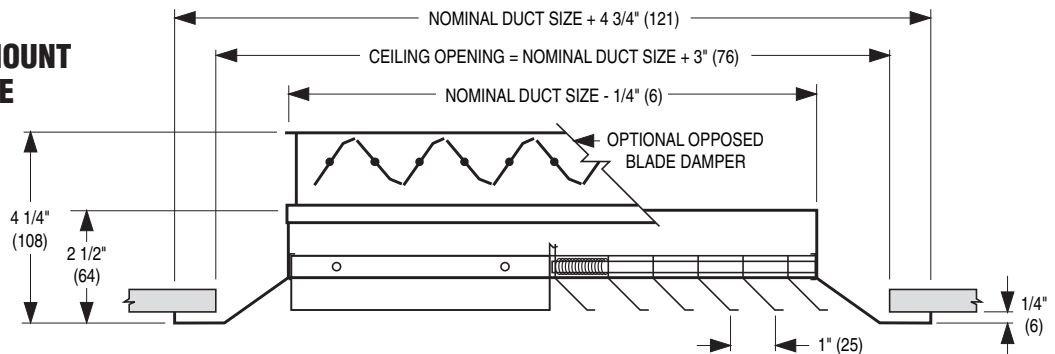


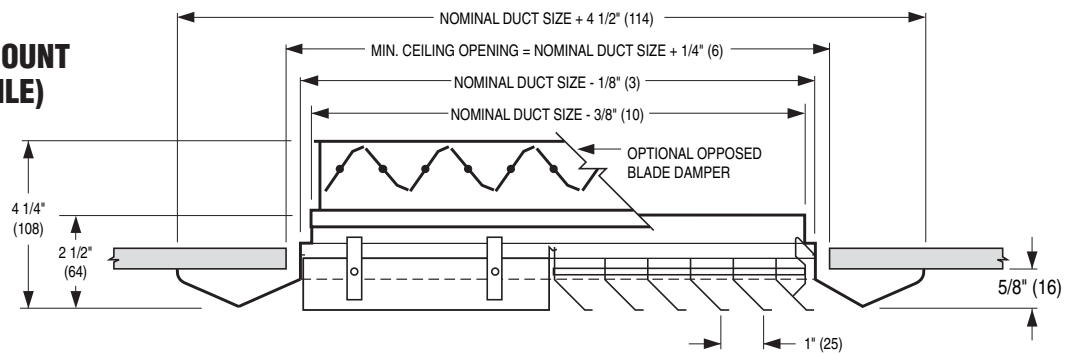


MODULAR CORE CEILING DIFFUSER
 1, 2, 3 OR 4-WAY ADJUSTABLE DISCHARGE
 PATTERN • SQUARE NECK • ALUMINUM
 MODELS: 7200 AND 7200-O TYPES S & BS

**TYPE S
 SURFACE MOUNT
 FLAT FRAME**



**TYPE BS
 BEVELLED
 SURFACE MOUNT
 (LOW PROFILE)**



DESCRIPTION:

1. Material: Aluminum.
2. Model 7200 is a versatile ceiling diffuser. It consists of four spring loaded modular cores that may be simply adjusted by rotating each module after installation to provide a 1, 2, 3 or 4-way blow pattern. A tight horizontal air pattern from maximum to minimum flow makes it ideal for VAV applications.
3. Standard finish is AW Appliance White.

OPTIONS:

SQUARE NECK

- Steel opposed blade damper - Model 7200-O
- Aluminum opposed blade damper - Model 7200-OA

ROUND NECK

- SQR Square to round transition collar
 - SQR-O Square to round transition collar for use over opposed blade damper.
- _____ round neck size (inches)

- 4275 Radial damper
- 4250 Radial sliding blade damper
- 4675 Butterfly damper

OPTIONAL FINISH:

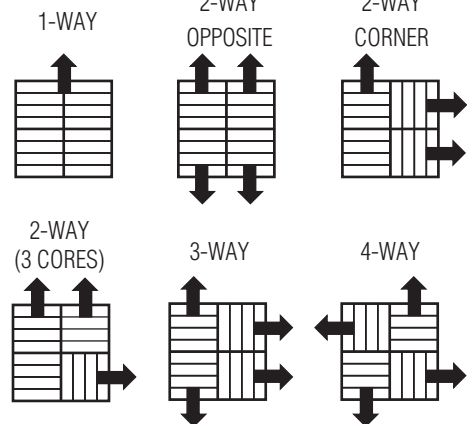
- SP Special. Specify _____.

Available Duct Sizes

6 x 6 (152 x 152)	12 x 12 (305 x 305)	18 x 18 (457 x 457)	24 x 24 (610 x 610)
8 x 8 (203 x 203)	14 x 14 (356 x 356)	20 x 20 (508 x 508)	
10 x 10 (254 x 254)	16 x 16 (406 x 406)	22 x 22 (559 x 559)	

MODULAR CORE ADJUSTMENTS

(The Model 7200 is shipped with the core set for 4-way discharge).



Dimensions are in inches (mm).

SCHEDULE TYPE:

PROJECT:

ENGINEER:

CONTRACTOR:

DATE

B SERIES

SUPERSEDES

DRAWING NO.

1 - 20 - 16

7200

5 - 11 - 15

7200-1