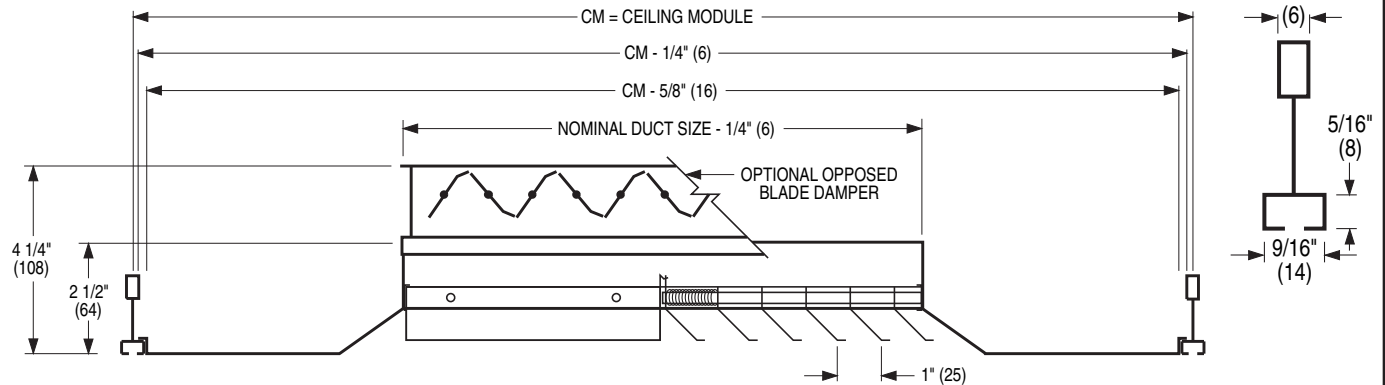




**MODULAR CORE CEILING DIFFUSER**  
 1, 2, 3 OR 4-WAY ADJUSTABLE DISCHARGE  
 PATTERN • SQUARE NECK • STEEL  
 MODELS: 7500 AND 7500-O TYPE F

**TYPE F FINELINE T-BAR**



Ceiling Module CM			Available Duct Sizes			
Imperial Modules		Metric Modules				
Imperial Units (inches)	SI Units (mm)	SI Units (mm)				
12 x 12	305 x 305	300 x 300	6 x 6 (152 x 152)			
24 x 12	610 x 305	600 x 300	6 x 6 (152 x 152)			
20 x 20	508 x 508	500 x 500	6 x 6 (152 x 152)	9 x 9 (229 x 229)	12 x 12 (305 x 305)	15 x 15 (381 x 381)
24 x 24	610 x 610	600 x 600	8 x 8 (203 x 203)	10 x 10 (254 x 254)	14 x 14 (356 x 356)	
			8 x 8 (203 x 203)	12 x 12 (305 x 305)	16 x 16 (406 x 406)	
			9 x 9 (229 x 229)	14 x 14 (356 x 356)	18 x 18 (457 x 457)	

**DESCRIPTION:**

1. Material: Heavy ga. corrosion-resistant steel.
2. Model 7500 is a versatile ceiling diffuser. It consists of four spring loaded modular cores that may be simply adjusted by rotating each module after installation to provide a 1, 2, 3 or 4-way blow pattern. A tight horizontal air pattern from maximum to minimum flow makes it ideal for VAV applications.
3. Standard finish is AW Appliance White.

**OPTIONS:**

**SQUARE NECK**

- Steel opposed blade damper - Model 7500-O

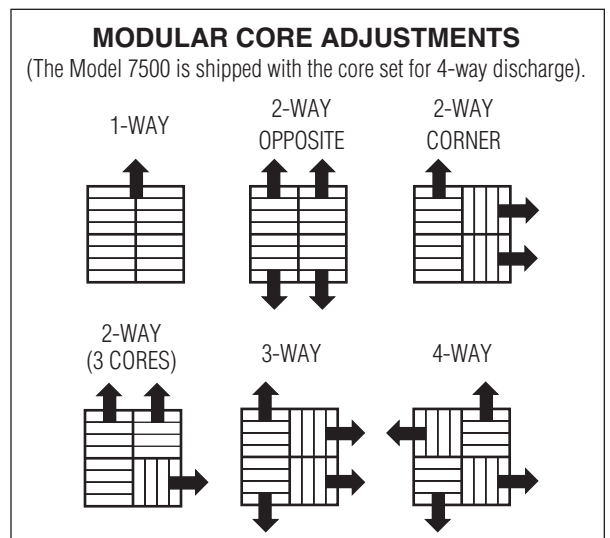
**ROUND NECK**

- SQR Square to round transition collar  
 SQR-O Square to round transition collar for use over opposed blade damper. \_\_\_ round neck size (inches)

- 4275 Radial damper  
 4250 Radial sliding blade damper  
 4675 Butterfly damper

**OPTIONAL FINISH:**

- SP Special. Specify \_\_\_\_\_ .



**SCHEDULE TYPE:** \_\_\_\_\_  
**PROJECT:** \_\_\_\_\_  
**ENGINEER:** \_\_\_\_\_  
**CONTRACTOR:** \_\_\_\_\_

Dimensions are in inches (mm).

DATE	B SERIES	SUPERSEDES	DRAWING NO.
3 - 1 - 16	7500	5 - 11 - 15	7500-3B