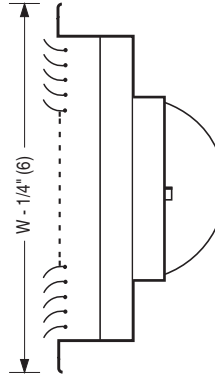
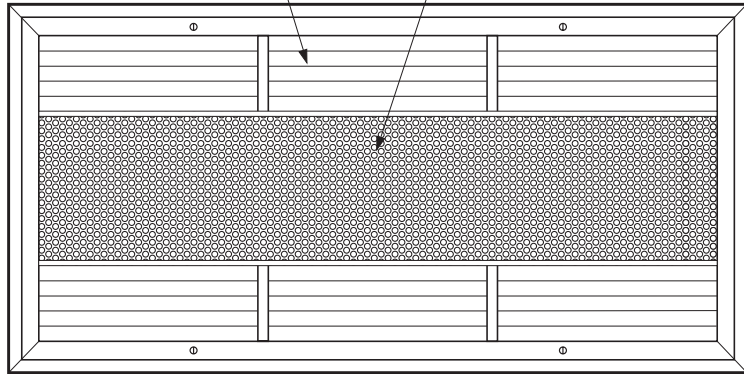


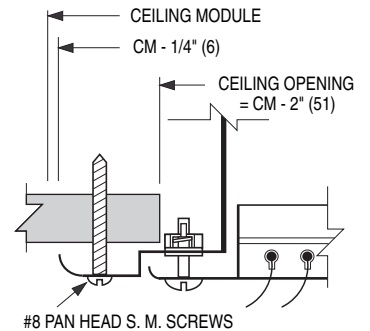


RADIAL PATTERN DIFFUSER
ADJUSTABLE CURVED BLADES AND PERFORATED
PANEL • REMOVABLE FACE
MODEL: 92CBPRP-AL ALUMINUM

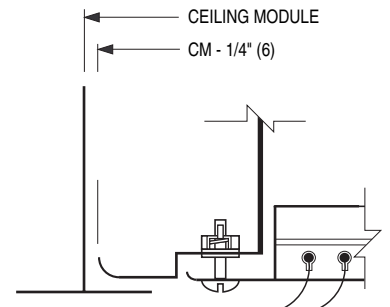
5 ADJUSTABLE CURVED BLADES
 (6 SETS ON 48 x 24 MODULE)
 PERFORATED CENTER PANEL



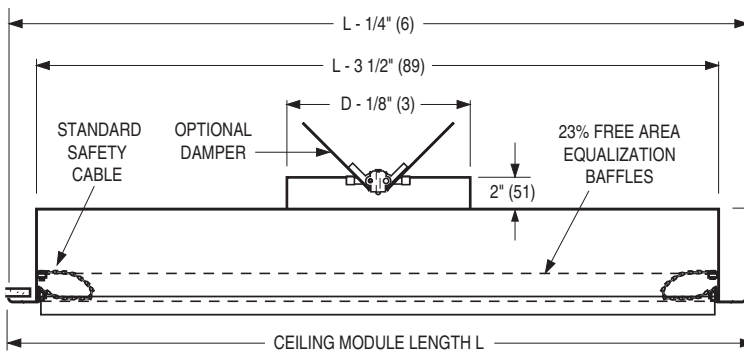
TYPE S Surface Mount Detail



TYPE L* Lay-in T-Bar Detail



*Compatible with all T-Bars up to 2" (51) wide.



Ceiling Module Sizes L x W & Nom. Round Duct Sizes D

L x W	Imperial Modules (inches)		24 x 24	48 x 24
	Metric Modules (mm)		600 x 600	1200 x 600
Duct Size D	(inches)		8, 10	10, 12
	(mm)		203, 254	254, 305

DESCRIPTION:

The 92CBPRP has been designed to provide an adjustable radial air pattern for delivering high volumes of low velocity air.

Two sets of individually adjustable curved blade pattern controllers provide field control flexibility and can be set to produce custom, effective directional control with minimum resistance and noise generation. The center perforated panel ensures a controlled blow pattern directly below the diffuser. Internal air baffles in the plenum equalize air flow across the diffuser face.

The hemispherical 180° air pattern provides higher air volumes with much shorter throws than conventional diffusers. Suitable for pharmaceutical manufacturing, biotechnology research, laboratories, food processing and other cleanroom applications.

CONSTRUCTION:

1. Extruded aluminum frame and blades. Aluminum perforated face with 3/16" (5) dia. holes on 1/4" (6) staggered centers (51% free area). The face panel is removable for cleaning and is secured by 1/4 turn fasteners.
2. Aluminum backpan and baffles.
3. Standard safety cables prevent accidental dropping of removable face.
4. Standard finish is AW Appliance White. Other finishes available.

OPTIONS:

Damper:

- BD** Butterfly damper, coated steel, AW Appliance White finish.

Insulation:

- EX05** 0.5" (13) External Foil-Back Fiberglass Insulation.
 EX15 1.5" (38) External Foil-Back Fiberglass Insulation, R-4.2.

Finish:

- BA** Appliance White face with black backpan and baffles (hides internal components from view).
 Other _____.

ACCESSORIES:

- DFA** Aluminum Drywall/Plaster Frame. Provides simple easy installation of Type L in hard ceilings. (See submittal dwg. ACC-DFA). Ordered separately.

SCHEDULE TYPE		Dimensions are in inches (mm).			
PROJECT					
ENGINEER	DATE	B SERIES	SUPERSEDES	DRAWING NO.	
CONTRACTOR	5 - 12 - 22	9200	10 - 29 - 15	92CBPRP-AL	