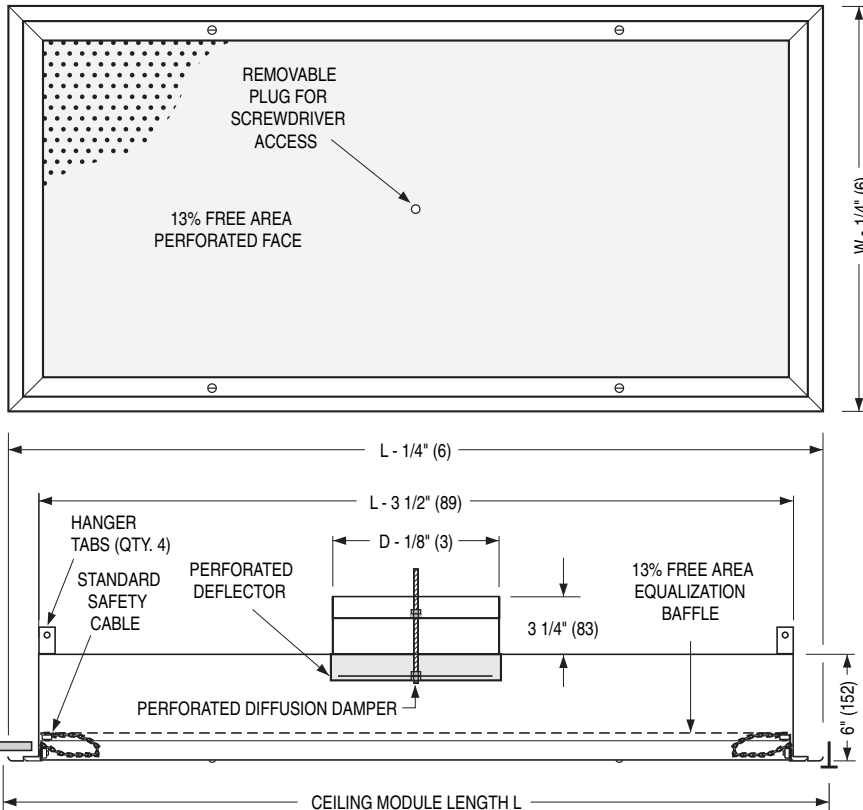
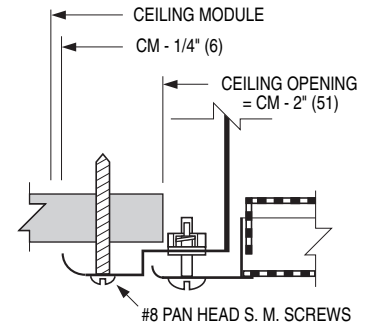




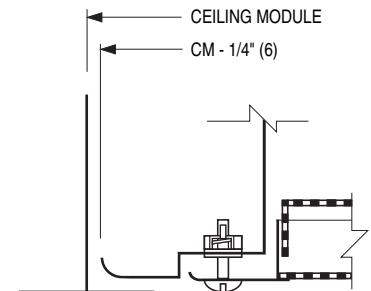
**LAMINAR FLOW CEILING DIFFUSER**  
**ALUMINUM • DUAL CHAMBER**  
**CRITICAL ENVIRONMENT APPLICATIONS**  
**LOW CAPACITY DESIGN**  
**MODEL: 92LFD-AL**



**TYPE S Surface Mount Detail**



**TYPE L\* Lay-in T-Bar Detail**



\*Compatible with all T-Bars up to 2" (51) wide.

**Ceiling Module Sizes L x W & Nominal Round Duct Sizes D**

L x W	Imperial Modules (inches)		48 x 12	60 x 12	72 x 12	24 x 24	36 x 24	48 x 24	60 x 24	72 x 24
	Metric Modules (mm)		1200 x 300	1500 x 300	1800 x 300	600 x 600	900 x 600	1200 x 600	1500 x 600	1800 x 600
Duct Size D	(inches)		6, 7, 8	6, 7, 8	6, 7, 8	6, 7, 8, 10	6, 7, 8, 10, 12	7, 8, 10, 12	8, 10, 12	8, 10, 12
	(mm)		152, 178, 203	152, 178, 203	152, 178, 203	152, 178, 203, 254	152, 178, 203, 254, 305	178, 203, 254, 305	203, 254, 305	203, 254, 305

**DESCRIPTION:**

The Model 92LFD-AL Laminar Flow Diffuser is a low capacity/airflow range design and produces a non-aspirating, low velocity vertical air pattern. Recommended face velocity range is 20 – 60 cfm/sq. ft. Installed above the operating table in a hospital operating room, the 'clean' conditioned air flows over the operating table so helping to protect and effectively isolate the patient from contaminated air. The "dual chamber" design and internal baffles provide improved air distribution across the perforated diffuser face resulting in superior performance. The only significant amount of room air entrainment occurs at the outer boundary of the laminar flow mass, outside the confines of the operating table. Other applications include clean rooms such as research laboratories, animal labs, food processing, pharmaceutical labs and computer rooms where localized heavy cooling loads present a problem.

**CONSTRUCTION:**

1. Extruded aluminum frame and aluminum perforated face with 3/32" (2.4) dia. holes on 60 degree 1/4" (6) staggered centers (13% free area). The face plate is removable for cleaning and is secured by 1/4 turn fasteners.
2. Corrosion resistant steel backpan, perforated inlet deflector ring and disk type damper. Damper adjustment through removable face plug.
3. Standard safety cables prevent accidental dropping of removable face.
4. Standard finish is AW Appliance White.

**OPTIONS:**

- AB Aluminum backpan, deflector and damper.
  - EX External foil-back insulation (installed) – R-4.2.
- Finish:
- SP Special \_\_\_\_\_ .

Dimensions are in inches (mm).

<b>SCHEDULE TYPE:</b>					
<b>PROJECT:</b>					
<b>ENGINEER:</b>		<b>DATE</b>	<b>B SERIES</b>	<b>SUPERSEDES</b>	<b>DRAWING NO.</b>
<b>CONTRACTOR:</b>		10 - 28 - 15	9200	9 - 15 - 10	92LFD-AL