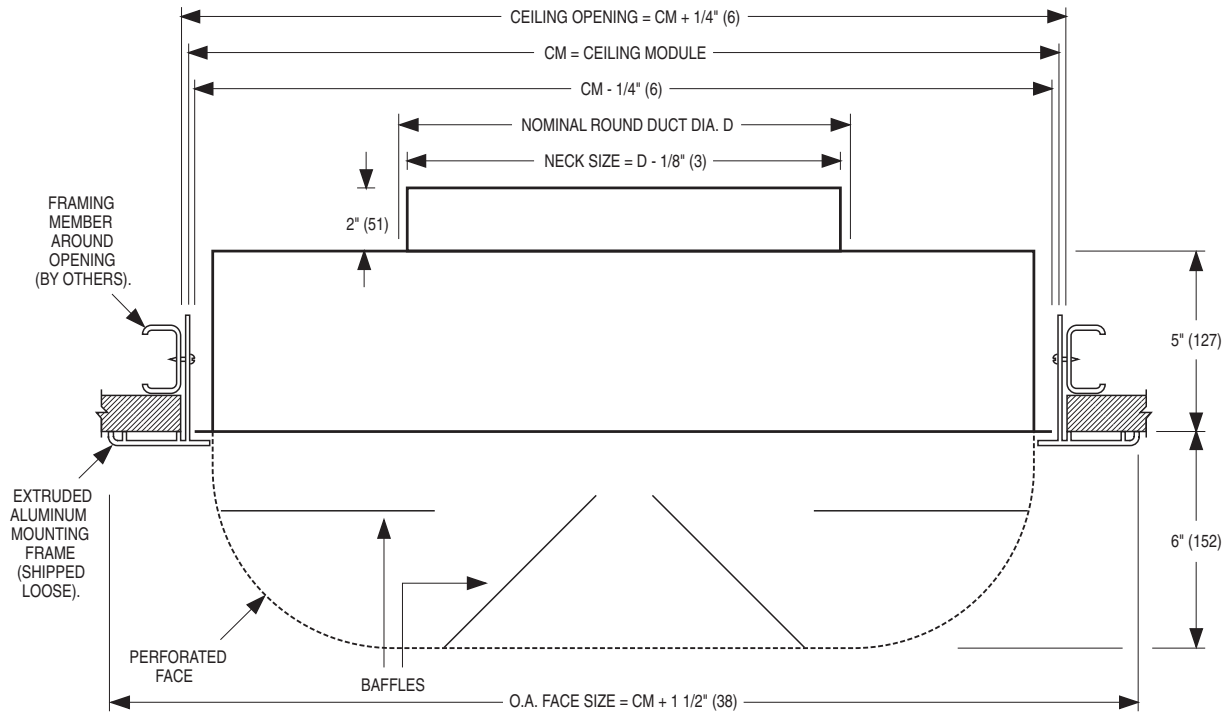




# RADIAL PATTERN DIFFUSER

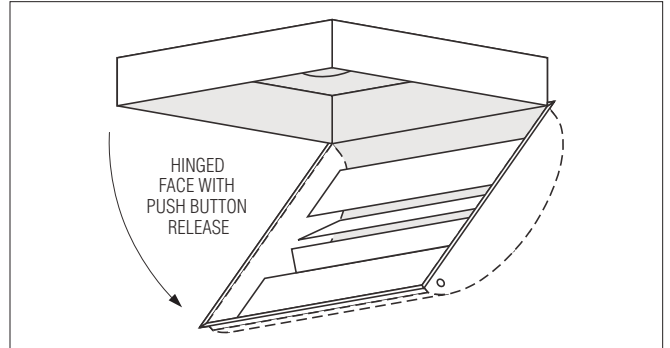
## 180 DEGREE • TYPE S SURFACE MOUNT

### MODEL: 92RPD-2



### Type S Surface Mount Available Ceiling Module Sizes

Imperial Modules		Metric Modules			
Imperial Units (inches)		S. I. Units (mm)		S. I. Units (mm)	
D	CM	D	CM	D	CM
8, 10	24 x 24	203, 254	610 x 610	203, 254	600 x 600
10, 12	48 x 24	254, 305	1219 x 610	254, 305	1200 x 600



#### DESCRIPTION:

The Model 92RPD-2 Radial Pattern Diffuser has been designed to provide low aspiration and high ventilation rates especially for clean room applications such as research laboratories, animal labs, food processing, hospital rooms and computer rooms. The unique design of solid baffles in an intrusive perforated face can handle large volumes of air with low initial face velocities. The 92RPD introduces air in a semi-cylindrical radial flow pattern, flushing a room with large volumes of clean conditioned air, minimizing entrainment and hence mixing with contaminated air while still allowing low room air velocities. The Type S mounting frame is field installed separately. Framing of the ceiling opening surround for attachment is by others and permits simple removal of the unit for plenum entry or cleaning.

#### CONSTRUCTION:

1. Aluminum perforated face with 3/32" (2.4) dia. holes on 1/4" (6) staggered centers (13% free area). The face of the diffuser is attached to the plenum with a full length hinge and secured with wingnuts. The opposite side is secured with a push button latch mechanism. The diffuser face simply hinges down for easy access to the interior for cleaning or may be completely removed.
2. Aluminum extruded baffles secured with flush drive screws.
3. Corrosion resistant steel distribution plenum.
4. Standard finish is AW Appliance White.

#### OPTIONS:

- AB Aluminum backpan.
  - EX External foil-back insulation (installed) – R-4.2.
- Finish:
- SP Special \_\_\_\_\_ .

<b>SCHEDULE TYPE:</b>		Dimensions are in inches (mm).			
<b>PROJECT:</b>					
<b>ENGINEER:</b>	<b>DATE</b>	<b>B SERIES</b>	<b>SUPERSEDES</b>	<b>DRAWING NO.</b>	
<b>CONTRACTOR:</b>	6 - 6 - 16	9200	10 - 28 - 15	92RPD-4	