



DYNAMIC OUT OF WALL FIRE DAMPER
 FOR THROUGH PENETRATIONS (DUCTED BOTH SIDES)
 FOR USE IN DYNAMIC OR STATIC SYSTEMS
 1 1/2 HR. LABEL • AIRFOIL BLADE
MODEL: D1201-DOW



QUALIFICATIONS:

- **UL 555 & CAN/ULC-S112 CLASSIFIED DYNAMIC FIRE DAMPER**
1 1/2 Hour Label (File # R9492).
- **Meets NFPA 80, 90A and 101 as well as IBC and NBC (Canada) requirements.**
- **California State Fire Marshal: Fire Damper Listing No. 3225-0935:0101.**
- **Maximum velocity 4000 fpm @ 4" w.g. (20 m/s @ 1 kPa).**
- **For use in vertical or horizontal concrete partitions and vertical steel stud partitions only.**

Model D1201-DOW is an "out of wall" (vertical mount) or "out of floor" (horizontal mount) for through penetration applications (ductwork is connected to both sides) where the damper cannot be installed within the plane of the wall or floor and is ideal for applications where building codes require a fire damper for the protection of ductwork penetrations in walls or floors that have a fire resistance rating of up to 2 hours.

Model D1201-DOW offers premium performance and a low pressure drop well suited to the majority of commercial applications. Unique, inter-locking double skin blade design eliminates combustible seals and provides flame protection under fire conditions at temperatures up to 2000°F (1093°C). Supplied as standard with an internal locking quadrant which holds the damper in the fully open position, but may also be used for system balancing if required.

STANDARD CONSTRUCTION:

- Frame:** 5" x 7/8" x 16 ga. (127 x 22 x 1.6) galvanized steel hat channel.
- Blades:** 14 ga. (2.0) equivalent galvanized steel formed airfoil on 5 1/2" (140) centers. Opposed action.
- Sleeve:** 16" x 20 ga. (406 x 1.0) galvanized steel standard.
- Insulation:** Intumescent thermal insulation on four sides.
- Linkage:** Concealed in frame. 12 ga. (2.7) plated steel.
- Bearings:** 1/2" (13) dia. self-lubricating oilite bronze.
- Axles:** 1/2" (13) dia. plated steel double bolted to blades.
- Jackshaft:** 1/2" (13) dia. cadmium plated steel.
Internal locking quadrant is factory installed.
- Fusible Link:** 165°F (74°C) standard. 212°F (100°C) available.

Sizes (Duct W x H):

Velocity/ Pressure Rating	Minimum		Maximum	
	Single Section		Single Section	
	Vertical/Horizontal	Vertical	Vertical	Horizontal
24, 34, 44	8" x 8" (203 x 203)	36" x 48" (914 x 1219)	32" x 48" (813 x 1219)	

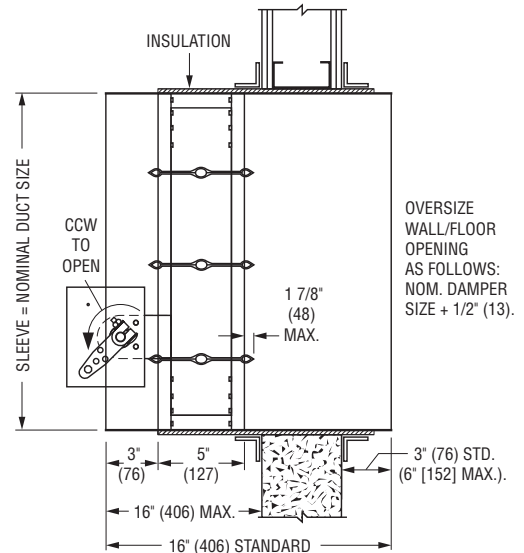
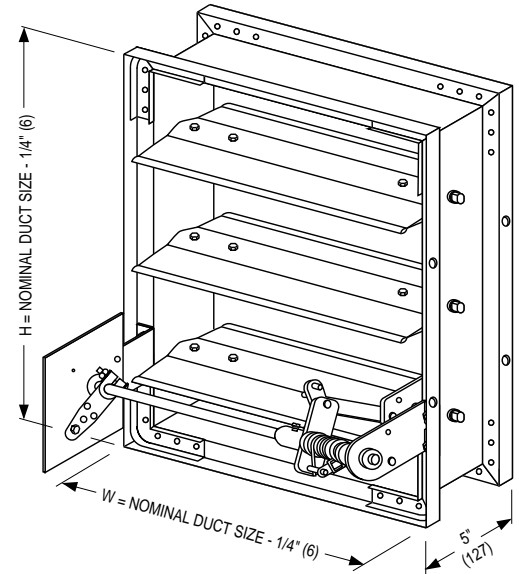
Note: Multiple section assemblies are not permitted.

BASE MODEL SELECTION:

- D1201-DOW** Standard factory sleeve. See above.
- D1201-DOW** Non-standard sleeve. Specify _____ length ____ ga.

DYNAMIC VELOCITY/PRESSURE RATING:

- 24** 2000 fpm @ 4" w.g. (Standard)
- 34** 3000 fpm @ 4" w.g. } (Optional)
- 44** 4000 fpm @ 4" w.g. }



NOTE:

STANDARD SLEEVE/DAMPER (FOR 4" [102] WALL) PROVIDES 1" (25) OFFSET FROM WALL FACE TO EDGE OF DAMPER FRAME. FOR THICKER WALLS OR TO OFFSET DAMPER FARTHER FROM WALL FACE (MAX. 8" [203]) LENGTHEN SLEEVE ACCORDINGLY.

OPTIONS:

- BS** Stainless steel bearings
- JSM** Flexible metal jamb seals
- MLS-300** Position indicator switch pack
- QS2** Quick-set retaining angles (pair)
- TDF1** TDF Flange (one end)
- TDF2** TDF Flange (both ends)

For installation instructions, see IOM-D1201DOWINST.
 Dimensions are in inches (mm).

SCHEDULE TYPE:
PROJECT:
ENGINEER:
CONTRACTOR:

DATE	B SERIES	SUPERSEDES	DRAWING NO.
4 - 28 - 14	1200	3 - 28 - 11	D1201-DOW