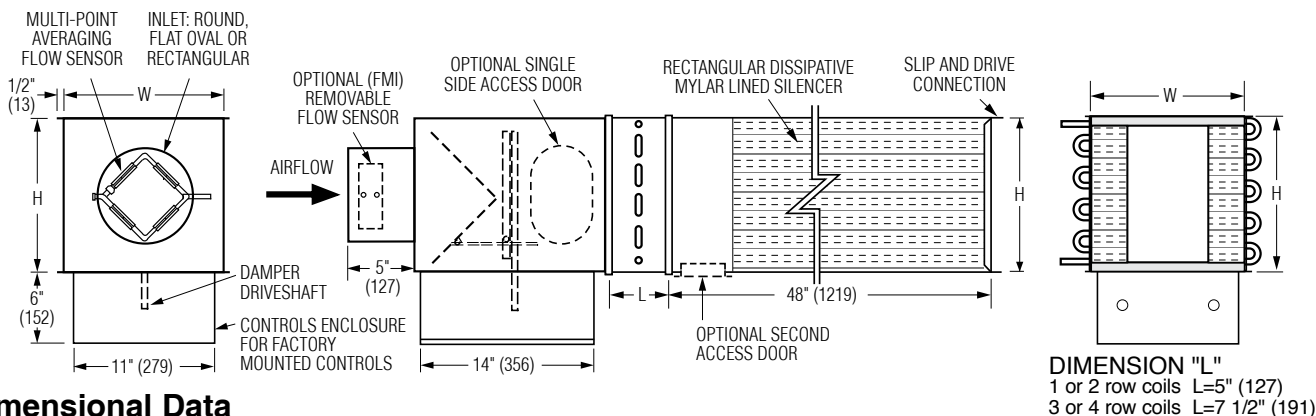




**SINGLE DUCT TERMINAL UNIT WITH HOT WATER REHEAT AND DISSIPATIVE SILENCER**  
**HOSPITAL GRADE • SUPER QUIET**  
 DIGITAL CONTROLS • VARIABLE OR CONSTANT VOLUME  
**MODEL: D30HQW WITH BOTTOM MOUNT CONTROLS**  
 LOCATION (OPTION OB)

Hot Water Coil Position: Box/Coil/Silencer



**Dimensional Data**

Unit Size	Airflow Range* cfm (l/s)	W	H	Inlet Size	Coil Connections			
					1 Row	2 Row	3 Row	4 Row
4	0 – 225 (0 – 106)	10 (254)	10 (254)	3 7/8 (98) Round	1/2 (13)	7/8 (22)	7/8 (22)	7/8 (22)
5	0 – 400 (0 – 189)	10 (254)	10 (254)	4 7/8 (124) Round	1/2 (13)	7/8 (22)	7/8 (22)	7/8 (22)
6	0 – 550 (0 – 260)	10 (254)	10 (254)	5 7/8 (149) Round	1/2 (13)	7/8 (22)	7/8 (22)	7/8 (22)
7	0 – 800 (0 – 378)	12 (305)	12 1/2 (318)	6 7/8 (175) Round	1/2 (13)	7/8 (22)	7/8 (22)	7/8 (22)
8	0 – 1100 (0 – 519)	12 (305)	12 1/2 (318)	7 7/8 (200) Round	1/2 (13)	7/8 (22)	7/8 (22)	7/8 (22)
9	0 – 1400 (0 – 661)	14 (356)	12 1/2 (318)	8 7/8 (225) Round	1/2 (13)	7/8 (22)	7/8 (22)	7/8 (22)
10	0 – 1840 (0 – 868)	14 (356)	12 1/2 (318)	9 7/8 (251) Round	1/2 (13)	7/8 (22)	7/8 (22)	7/8 (22)
12	0 – 2500 (0 – 1180)	18 (457)	12 1/2 (318)	12 15/16 x 9 13/16 (329 x 249) Oval	1/2 (13)	7/8 (22)	7/8 (22)	7/8 (22)
14	0 – 3125 (0 – 1475)	24 (610)	12 1/2 (318)	16 1/16 x 9 13/16 (408 x 249) Oval	1/2 (13)	7/8 (22)	7/8 (22)	7/8 (22)
16	0 – 3725 (0 – 1758)	28 (711)	12 1/2 (318)	19 3/16 x 9 13/16 (487 x 249) Oval	7/8 (22)	7/8 (22)	7/8 (22)	7/8 (22)
24 x 16	0 – 8330 (0 – 3931)	38 (965)	18 (457)	23 7/8 x 15 7/8 (606 x 403) Rect.	7/8 (22)	7/8 (22)	1 3/8 (35)	1 3/8 (35)



**Standard Features:**

- Bottom mount controls location with vertical drive shaft (option code OB).
- Designed for hospital and other critical environment applications where IAQ is a concern.
- 22 ga. (0.86) zinc coated steel casing, mechanically sealed, low leakage construction.
- 16 ga. (1.63) corrosion-resistant steel inclined opposed blade damper with extruded PVC seals (single blade on size 4, 5, 6). 45° rotation, CW to close. Tight close-off. Damper leakage is less than 2% of the terminal rated airflow at 3" w.g. (750 Pa).
- 1/2" (13) dia. plated steel drive shaft. An indicator mark on the end of the shaft shows damper position.
- Multi-point averaging Diamond Flow Sensor. Supplied with balancing tees.
- Rectangular discharge with slip and drive cleat duct connection.
- Full NEMA 1 type controls enclosure for factory mounted controls.

- VAV section is lined with 13/16" (21), thick, 4 lb. density Steri-Liner insulation. Fiberglass with a reinforced aluminum FSK facing. Meets the requirements of NFPA 90A, UL 181 and ASTM C655. "Notch and tuck" fabrication and full seam length steel Z-strip construction.
- Silencer Section:**
- Designed to mate with VAV section for optimum performance and super quiet operation.
  - Optimized internal baffle geometry reduces self-generated noise, minimizes pressure drop and maximizes acoustic attenuation.
  - 22 ga. (0.86) coated steel perforated baffles encapsulate fiberglass acoustic media. Mylar lining with acoustical spacer isolates material from airstream.
  - Internal Steri-Liner insulation on top and bottom optimizes sound reduction and eliminates need for external field applied thermal duct wrap.

**Hot Water Coil Section:**

- Position: Box/Coil/Silencer (shown above).
- 1/2" (13) Copper tubes and aluminum ripple fins, 10 per inch.
- 20 ga. (1.00) zinc coated steel casing Uninsulated.
- Left or right hand connection. Determined by looking in direction of airflow (RH illustrated).
- 1/2" (13), 7/8" (22) or 1 3/8" (35) O.D. male solder sweat connections.

**Digital Controls:**

- Factory mounted (supplied by others)
  - Field mounted (supplied by others)
  - Nailor EZvav
- See separate submittal.



**SCHEDULE TYPE:**

**PROJECT:**

**ENGINEER:**

**CONTRACTOR:**

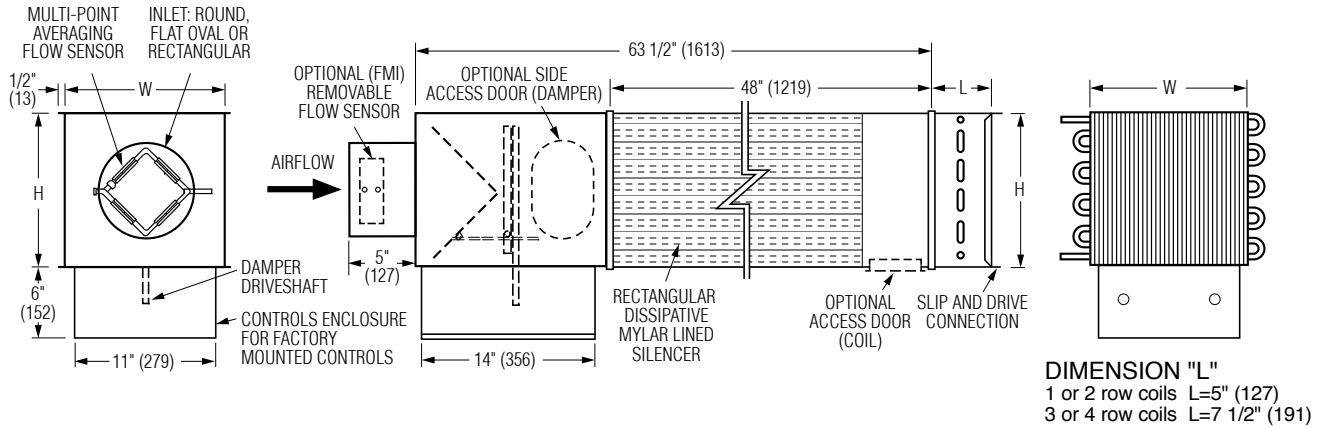
Page 1 of 2.  
 Dimensions are in inches (mm)

DATE	B SERIES	SUPERSEDES	DRAWING NO.
5 - 1 - 23	3000	NEW	D30HQW-2



**SINGLE DUCT TERMINAL UNIT WITH HOT WATER REHEAT AND DISSIPATIVE SILENCER**  
**HOSPITAL GRADE • SUPER QUIET**  
 DIGITAL CONTROLS • VARIABLE OR CONSTANT VOLUME  
**MODEL: D30HQW WITH BOTTOM MOUNT CONTROLS**  
**LOCATION (OPTION B)**

**Hot Water Coil Position: Box/Silencer/Coil**



**Options and Accessories:**

- HW coil position: Box/Silencer/Coil (see page 2).
- Access door.
- 2 Access doors.
- Removable insert type Flow Sensor.
- 24 VAC control transformer.
- Toggle disconnect switch.
- Hanger brackets.
- Controls enclosure for field mounted controls.
- Dust tight enclosure seal.
- Special Features: \_\_\_\_\_ .

**Terminal Unit Liner:**

- Solid metal liner.

<b>SCHEDULE TYPE:</b>
<b>PROJECT:</b>
<b>ENGINEER:</b>
<b>CONTRACTOR:</b>

Page 2 of 2.  
 Dimensions are in inches (mm)

DATE	B SERIES	SUPERSEDES	DRAWING NO.
5 - 1 - 23	3000	NEW	D30HQW-2