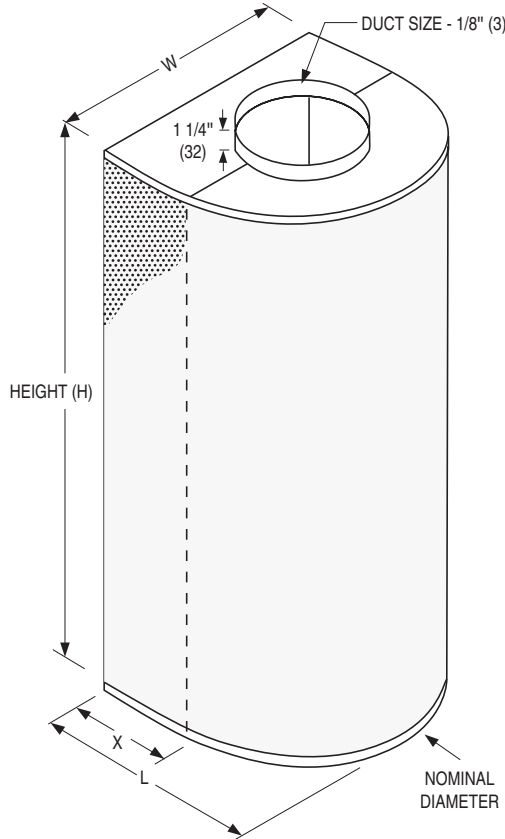




**U-SHAPED 180° DISPLACEMENT DIFFUSER**  
**FLOOR STANDING • WALL/PILLAR • HIGH CAPACITY**  
**STEEL PERFORATED FACE**  
**MODEL: DFR180H**

**Model DFR180H • 180° Radial Discharge Air Pattern**



**Dimensional Data:**

Unit Size (Dia. x H)	L	Duct Size
12 x 24 (305 x 610) 12 x 30 (305 x 762) 12 x 36 (305 x 914) 12 x 48 (305 x 1219)	12 (305)	8 (203)
18 x 24 (457 x 610) 18 x 30 (457 x 762) 18 x 36 (457 x 914) 18 x 48 (457 x 1219) 18 x 60 (457 x 1524)	18 (457)	10 (254), 12 (305), 14 (356)
24 x 24 (610 x 610) 24 x 30 (610 x 762) 24 x 36 (610 x 914) 24 x 48 (610 x 1219) 24 x 60 (610 x 1524)	24 (610)	16 (406)
30 x 24 (762 x 610) 30 x 30 (762 x 762) 30 x 36 (762 x 914) 30 x 48 (762 x 1219)	30 (762)	16 (406), 20 (508)
36 x 24 (914 x 610) 36 x 30 (914 x 762) 36 x 36 (914 x 914) 36 x 48 (914 x 1219)	36 (914)	24 (610)

W = Nominal Diameter  
X = W/2

**DESCRIPTION:**

- Construction: Heavy gauge corrosion-resistant coated steel. Standard 18 ga. (1.3) perforated face has 3/32" (2) dia. holes on 3/16" (5) staggered centers, providing 23% free area.
- An equalization baffle is provided behind the diffuser face to ensure an even distribution of low velocity supply air.
- Floor mounted displacement diffusers are especially designed to supply air at a very low velocity to minimize the potential for drafts and enhance occupant comfort.
- Standard finish is AW Appliance White.

**OPTIONS:**

- Construction:
  - 16GP Heavy Duty 16 ga. (1.6) Perforated Face
- Inlet Type:
  - RND Round
- Inlet Location:
  - T Top
  - B Bottom
  - R Rear

- Finish:
  - AW Appliance White (default)
  - AL Aluminum
  - BK Black
  - BW British White
  - SP Special \_\_\_\_\_
- Diffuser Base:
  - DB02 2" (51) High
  - DB03 3" (76) High
  - DB04 4" (102) High
  - DB05 5" (127) High
  - DB06 6" (152) High
- Duct Cover:
  - DCP Perforated Panels
  - DCS Solid Panels
- Volume Control:
  - BD Balancing Damper
  - FMSS Flow Measuring Station with balancing damper (Round inlet sizes only). See separate submittal.
- Protective Film:
  - PFC Protective Film Cover on Face and Inlet

<b>SCHEDULE TYPE:</b>	Dimensions are in inches (mm).			
<b>PROJECT:</b>				
<b>ENGINEER:</b>	<b>DATE</b>	<b>B SERIES</b>	<b>SUPERSEDES</b>	<b>DRAWING NO.</b>
<b>CONTRACTOR:</b>	2 - 25 - 20	DFR	1 - 8 - 20	DFR180H