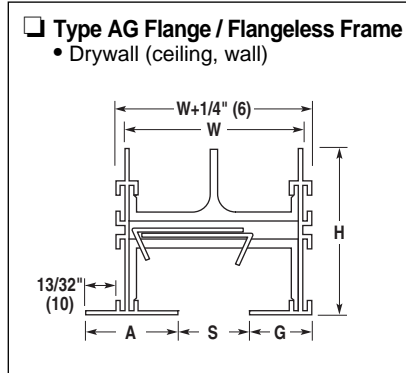
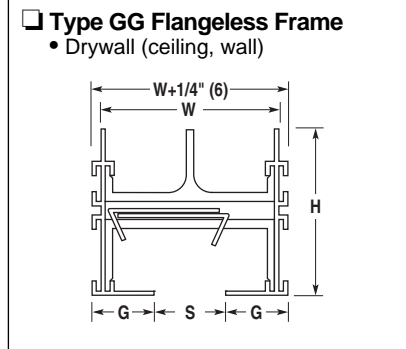


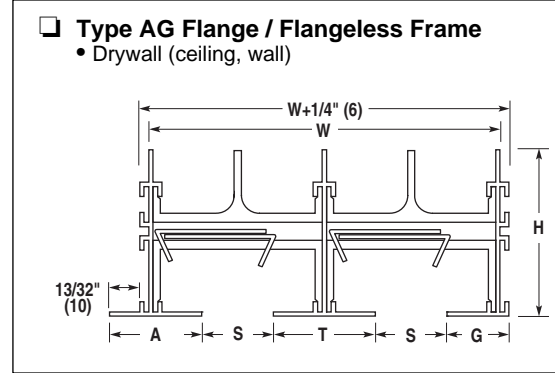
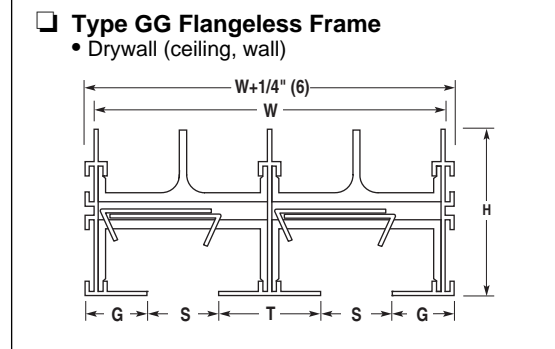


**FLOWLINE™ LINEAR SLOT DIFFUSERS**  
**ARCHITECTURAL • ALUMINUM**  
**HORIZONTAL HIGH THROW PATTERN CONTROLLERS**  
**MODEL SERIES: FLH TYPES GG & AG**

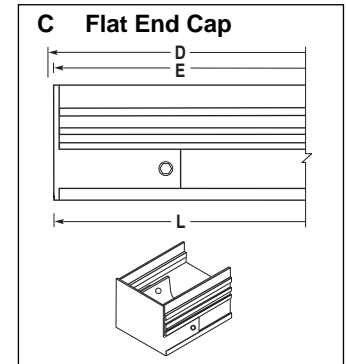
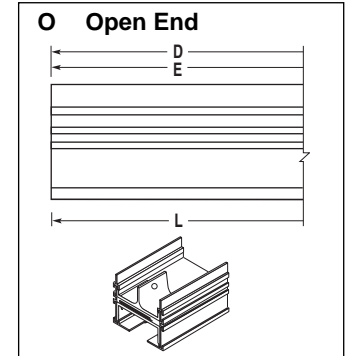
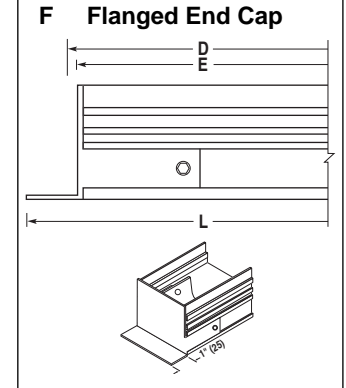
**One Slot**



**Two Slot**



**End Condition**



**Dimensional Data - Imperial (Metric) Units**

Model	S Slot Width	1 Slot W	2 Slot W	A Border Width	G Border Width	H Height	T 2 Slot
FLH10	1 (25)	2 1/2 (64)	4 15/16 (125)	1 9/32 (33)	7/8 (22)	2 3/8 (60)	1 7/16 (37)
FLH15	1 1/2 (38)	3 1/2 (89)	6 15/16 (176)	1 17/32 (39)	1 1/8 (29)	2 5/8 (67)	1 15/16 (49)
FLH20	2 (51)	4 1/2 (114)	8 15/16 (227)	1 25/32 (45)	1 3/8 (35)	2 7/8 (73)	2 7/16 (62)
FLH25	2 1/2 (64)	5 1/2 (140)	10 15/16 (278)	2 1/32 (52)	1 5/8 (41)	3 1/8 (79)	2 15/16 (75)
FLH30	3 (76)	6 1/2 (165)	12 15/16 (329)	2 9/32 (58)	1 7/8 (48)	3 3/8 (86)	3 7/16 (87)

**Notes:**

1. Material: Heavy duty extruded aluminum frame and spacers. Corrosion resistant steel pattern controllers.
2. Maximum single section length is 144" (3658). Longer lengths are furnished in multiple sections with alignment strips, the number and size determined by the factory.
3. Adjustable pattern controllers are on 24" (610) centers.
4. Standard finish is AW Appliance White baked enamel on exposed frames with black pattern controllers and interior surfaces.
5. Integral hanger brackets on 24" (610) centers. See separate submittal for optional mounting hardware and accessories.

**Options:**

SP Special Finish \_\_\_\_\_.

**Overall Length and End Cap Position**

	E	L
<input type="checkbox"/> OO	D	D
<input type="checkbox"/> OC	D - 1/16 (2)	D - 1/16 (2)
<input type="checkbox"/> CC	D - 1/8 (3)	D - 1/8 (3)
<input type="checkbox"/> FF	D - 1/4 (6)	D + 1 5/8 (41)
<input type="checkbox"/> FO	D - 1/8 (3)	D + 13/16 (21)
<input type="checkbox"/> FC	D - 1/16 (2)	D + 7/8 (22)

<b>SCHEDULE TYPE</b>
<b>PROJECT</b>
<b>ENGINEER</b>
<b>CONTRACTOR</b>

Dimensions are in inches (mm).

<b>DATE</b>	<b>B SERIES</b>	<b>SUPERSEDES</b>	<b>DRAWING NO.</b>
2 - 16 - 10	FL	10 - 18 - 07	FLH-3