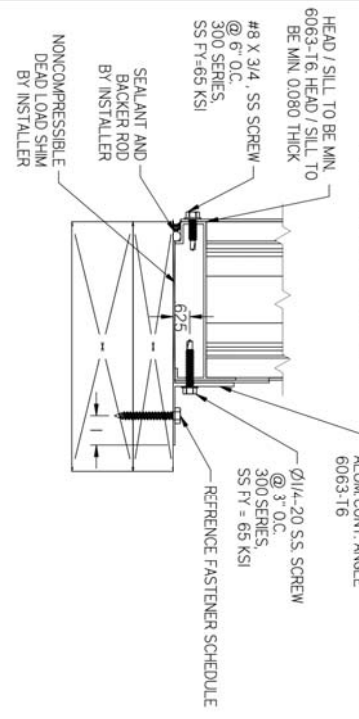
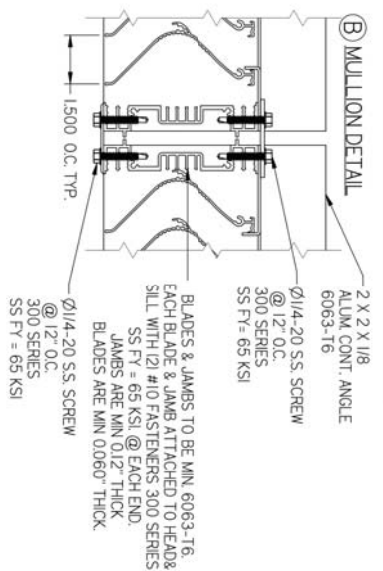


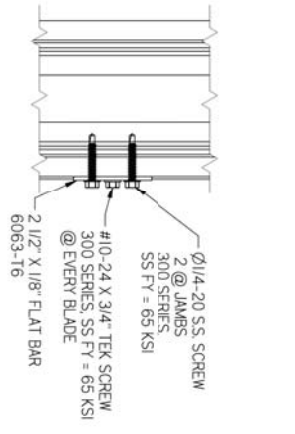
(A) HEAD/SILL ANCHOR



(B) MULLION DETAIL

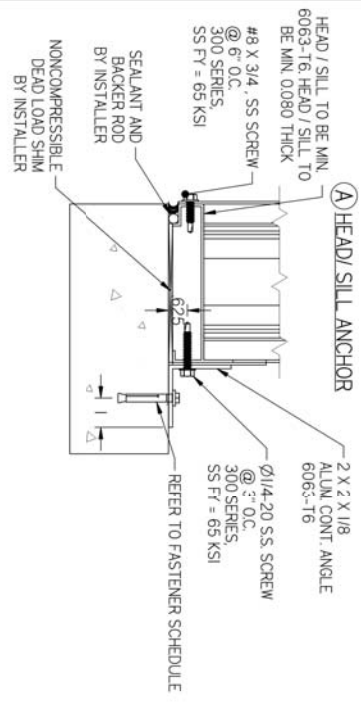


(C) BLADE SUPPORT

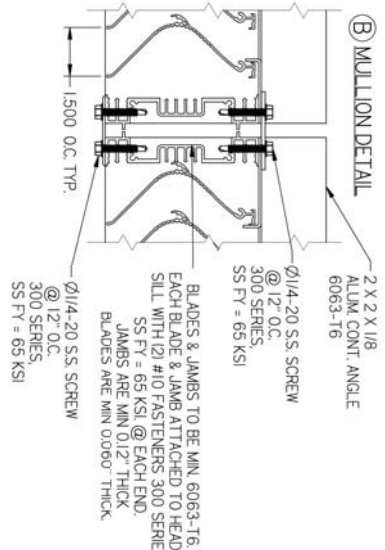


CRACKED CONCRETE OPENING MINIMUM 4,000 PSI

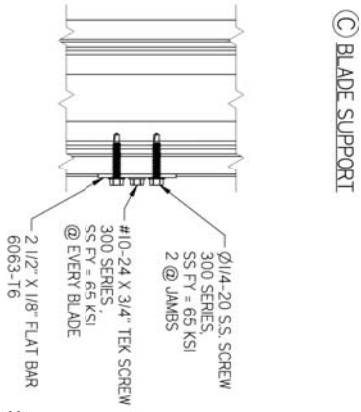
(A) HEAD/SILL ANCHOR



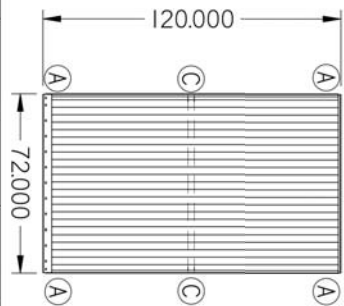
(B) MULLION DETAIL



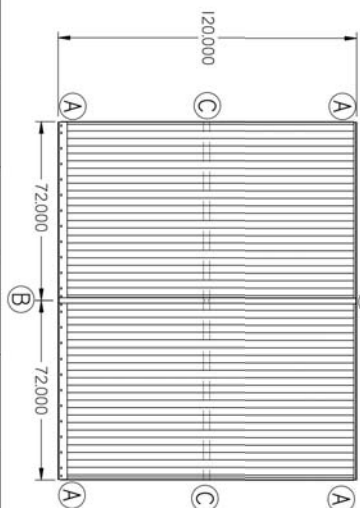
(C) BLADE SUPPORT



SINGLE SECTION W/ BLADE SUPPORT



MULTI SECTION W/ MULLION



WOOD OPENING MINIMUM G = 0.42

N:\Drawing\LOUVERS\AMCA\1605WDVF\1605WDVF-FLORIDA.dft

A B C D E F G H J K L

DWN BY: fcartinas

CHK BY: MAstourian

DATE: 10/31/2017

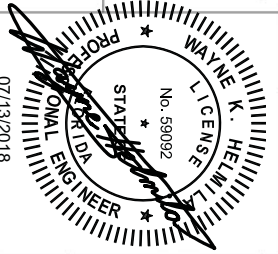
SCALE: NTS

SHEET: 1 OF 4

1605WDVF

PRIVATE & CONFIDENTIAL
DO NOT REPRODUCE WITHOUT THE PERMISSION OF
Nailor Industries Inc.
4714 Winfield Road Houston, TX 77039
TEL. 281-590-1172 FAX 281-590-3086
www.nailor.com

TITLE:
WOOD AND MASONRY MOUNTING DETAIL

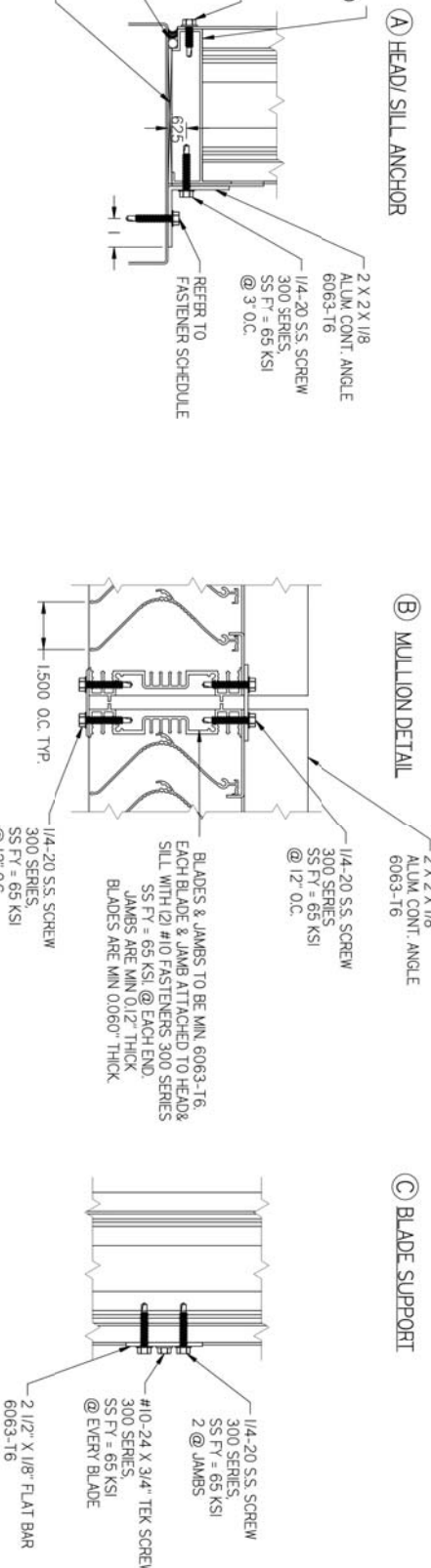


COA: 9090

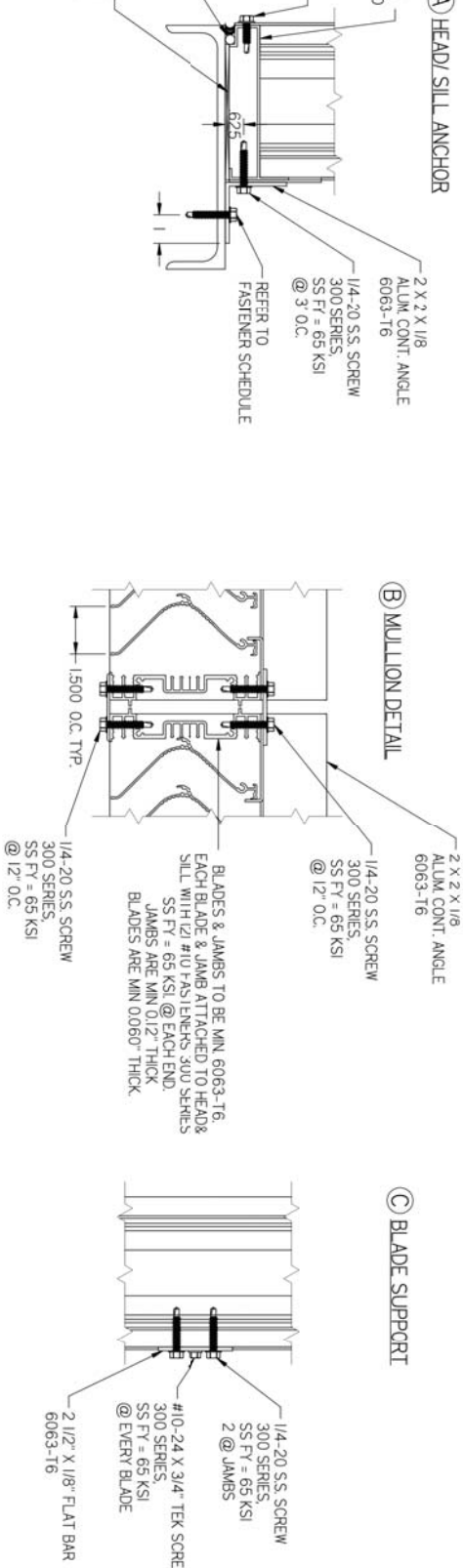
RICE
ENGINEERING

105 Saxon Creek
Trellix/Luxemburg, VA
54217Phone: (820)
617-1042Fax: (820)
617-1100www.rice-
Florida Firm No.
F-01000005061 Certificate of
Authorization: #9090/Wayne K.
Helmlinger Registration No.: 59092

STEEL OPENING 16 GA MINIMUM THICKNESS
MINIMUM Fy = 33 ksi



STEEL OPENING 1/4" MINIMUM THICKNESS
MINIMUM Fy = 36 ksi



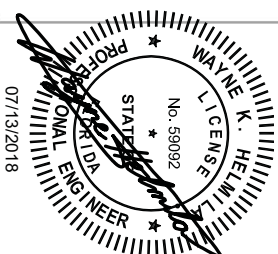
N:\Drawing\GL\OUVERS\AMCA\1605WDVF\1605WDVF-FLORIDA.dft

PRIVATE & CONFIDENTIAL
 DO NOT REPRODUCE WITHOUT THE PERMISSION OF
Nailor Industries Inc.
 4714 Winfield Road Houston, TX 77039
 TEL. 281-590-1172 FAX 281-590-3086
 www.nailor.com

DWN BY: ffortinas
 DATE: 10/31/2017
 CHK BY: MAstourian
 SCALE: NTS

TITLE:
**STEEL MOUNTING
 DETAIL**

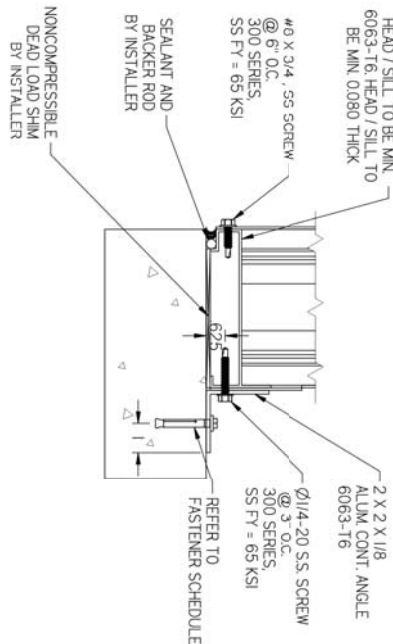
SHEET: 2 OF 4
1605WDVF



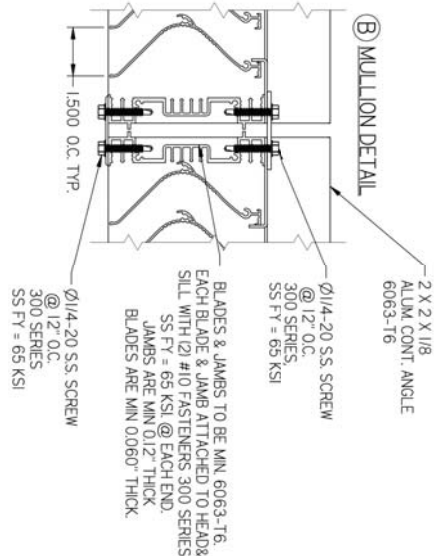
COA: 9090
 07/13/2018
RICE
 ENGINEERING
 105 Sponal Creek Trail
 Lubbock, TX 79427
 Phone: (820) 617-1042
 Fax: (820) 617-1100
 www.rice-engine.com
 Florida Firm No. F-010000005061
 Certificate of Authorization: #9090
 Wayne K. Helms
 Registration No. 59092

GROUT FILLED CMU OPENING MINIMUM 1,500 PSI

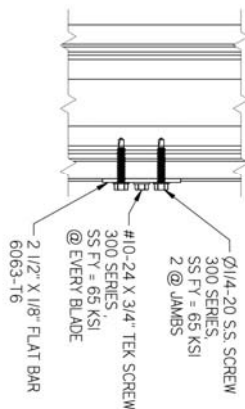
(A) HEAD/SILL ANCHOR



(B) MULLION DETAIL



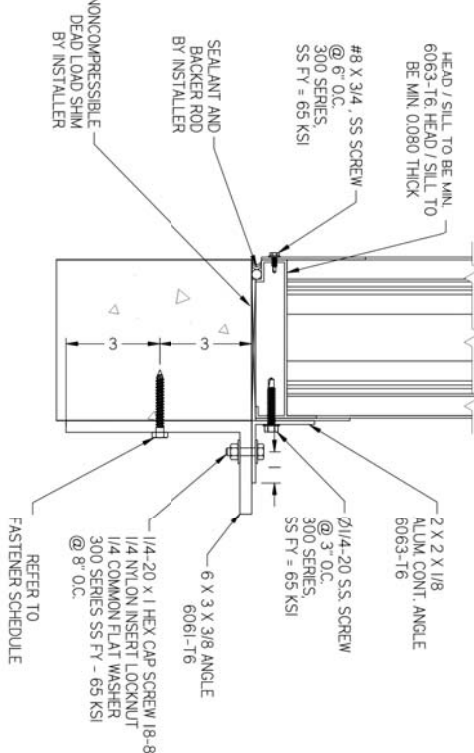
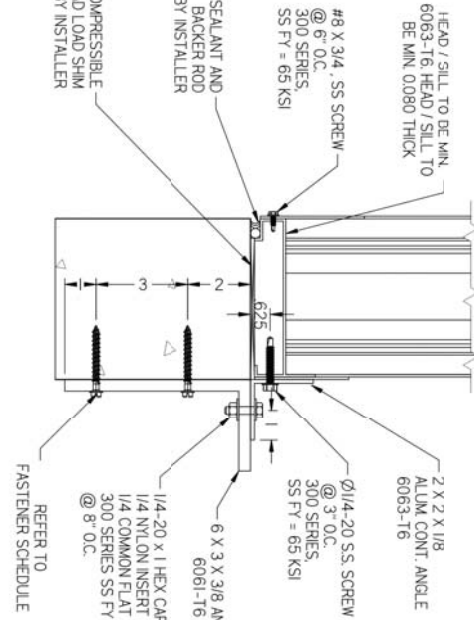
(C) BLADE SUPPORT



GROUT FILLED CMU (BY OTHERS)

SKINNY WALL DETAILS

WOOD / STEEL 16GA STEEL A-36 / CONCRETE (BY OTHERS)



N:\Drawing\GLUOVERS\AMCA\1605WDVF\1605WDVF-FLORIDA.dft

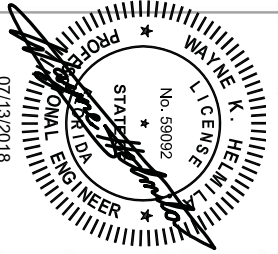
A B C D E F G H J K L

PRIVATE & CONFIDENTIAL
DO NOT REPRODUCE WITHOUT THE PERMISSION OF
Nailor Industries Inc.
4714 Winfield Road Houston, TX 77039
TEL. 281-590-1172 FAX 281-590-3086
www.nailor.com

DWN BY: fcartinas CHK BY: MAstourian
DATE: 10/31/2017 SCALE: NTS

TITLE: **GROUT FILLED CMU MOUNTING**
SKINNY WALL DETAILS

SHEET: 3 OF 4
1605WDVF



RICE
ENGINEERING
105 Sponal Creek Trail
Lutzburg, NY 54217
Phone: (920) 617-1042
Fax: (920) 617-1100
www.riceinc.com
Florida Firm No. F-01000005061
Certificate of Authorization: #9090
Wayne K. Helms
Registration No. 59092

LOUVER MODEL 1605WDVF

WOOD / STEEL STUD	STEEL	CONCRETE	CMU	SKINNY WALL	MIN.	FASTENER TYPE	DIAMETER	# Rdd	CENTERS	EDGE	EMBEDMENT
HEAD / SILL ANGLE FASTENER HEIGHTS - ± 120 INCHES											
X					SG 0.42	LAG SCREW (300 SERIES SS - COND. CW - Fy = 65ksi)	1/4"	1	3-1/4"	2"	3"
X					SG 0.42	LAG SCREW (300 SERIES SS - COND. CW - Fy = 65ksi)	3/8"	1	3-3/4"	2"	3"
	X				16 Gd.	ELCO DRILL-FLEX DRILLING SCREWS (300 SERIES SS - COND. CW - Fy = 65ksi)	1/4"	1	3"	2"	FULL PENE.
	X				A-36	ELCO DRILL-FLEX DRILLING SCREWS (300 SERIES SS - COND. CW - Fy = 65ksi)	1/4"	1	9"	2"	FULL PENE.
	X				A-36	ELCO DRILL-FLEX DRILLING SCREWS (300 SERIES SS - COND. CW - Fy = 65ksi)	5/16"	1	12"	2"	FULL PENE.
	X				4ksi	HILL TI KWIK PLUS-EZ	1/4"	1	7"	4"	2-1/2"
	X				4ksi	HILL TI KWIK PLUS-EZ	3/8"	1	12"	4"	3-1/4"
						STAINLESS STEEL THREADED ROD (300 SERIES, SS - COND. CW - Fy = 65ksi)					
					15ksi	WITH HILL TI HIT-HY 70 ADHESIVE	5/8"	1	8"	4"	5-5/8"
					SG 0.42	LAG SCREW (300 SERIES SS - COND. CW - Fy = 65ksi)	1/4"	1	3-3/4"	3"	3"
X					SG 0.42	LAG SCREW (300 SERIES SS - COND. CW - Fy = 65ksi)	3/8"	1	5"	3"	3"
	X				16 Gd.	ELCO DRILL-FLEX DRILLING SCREWS (300 SERIES SS - COND. CW - Fy = 65ksi)	1/4"	1	1"	3"	FULL PENE.
	X				A-36	ELCO DRILL-FLEX DRILLING SCREWS (300 SERIES SS - COND. CW - Fy = 65ksi)	1/4"	1	7"	3"	FULL PENE.
	X				A-36	ELCO DRILL-FLEX DRILLING SCREWS (300 SERIES SS - COND. CW - Fy = 65ksi)	5/16"	1	8"	3"	FULL PENE.
	X				4ksi	HILL TI KWIK BOLT TZ	3/8"	1	8"	3"	2-3/8"
	X				4ksi	HILL TI KWIK BOLT TZ	1/2"	1	10"	3"	2-3/8"
	X				15ksi	ELCO AGGRE-GATORS (300 SERIES SS - COND. CW - Fy = 65ksi)	1/4"	2	3-1/2"	2"	2"

NOTE 1: CONCRETE MASONRY (CMU) SHALL BE > THE FOLLOWING, 6" WIDE CMU CONFORMING TO ASTM C-90 FILLED WITH 4,747 KSI GROUT.

NOTE 2: CONCRETE MASONRY (CMU) SHALL BE > THE FOLLOWING, 6" WIDE, 2 KSI CMU CONFORMING TO ASTM C-90 WITH 1624 KSI GROUT.

NOTE 3: CONCRETE MASONRY (CMU) SHALL BE > THE FOLLOWING, 6" WIDE, GRADE N, TYPE II, LIGHT - WEIGHT / MEDIUM - WEIGHT / NORMAL - WEIGHT CMU CONFORMING TO ASTM C-90. MORTAR MUST BE TYPE N.

NOTE 4: CONCRETE, STEEL, WOOD, MASONRY, CURTAIN WALL, STOREFRONT, AND ALL OTHER BUILDING SUBSTRATES ARE DESIGNED BY OTHERS.

NOTE 5: ENGINEER OF RECORD TO VERIFY THAT BUILDING SUBSTRATE CAN SUPPORT THE LOUVER REACTIONS.

- GENERAL NOTES:**
- THIS LOUVER HAS BEEN DESIGNED, TESTED, AND APPROVED TO WITHSTAND DESIGN PRESSURES OF UP TO AND INCLUDING +/- 130 PSF.
 - IT SHALL BE THE RESPONSIBILITY OF THE PERMIT HOLDER TO VERIFY THE STRUCTURAL INTEGRITY OF THE EXISTING STRUCTURE TO SUPPORT THE LOADS SUPERIMPOSED BY THE LOUVERS.
 - INSTALLER TO PROVIDE SEPARATION OF THE DISSIMILAR MATERIALS AS REQUIRED.
 - WOOD SUBSTRATE TO BE MINIMUM G = 0.42.
 - CONCRETE SUBSTRATE TO BE MINIMUM 4,000 PSI.
 - STEEL STUD OPENINGS (16 GA MINIMUM THICKNESS) TO BE MINIMUM Fy=33 ksi.
 - STRUCTURAL STEEL OPENINGS (1/4" MINIMUM THICKNESS) TO BE MINIMUM Fy = 36 ksi.
 - CONCRETE MASONRY UNITS (CMU) ARE TO BE GROUT FILLED AND TO BE MINIMUM 1,500 PSI.

N:\Drawings\LOUVERS\AMCA\1605WDVF\1605WDVF-FLORIDA.dft

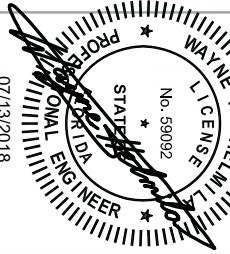
A B C D E F G H J K L



TITLE: FASTENER SCHEDULE & GENERAL NOTES

DWN BY: fcorinas CHK BY: MASTOURIAN
DATE: 10/31/2017 SCALE: NTS

SHEET: 4 OF 4
1605WDVF



COA: 9090
07/13/2018

RICE ENGINEERING
105 School Creek Trail
Luxemburg, WI 54217
Phone: (920) 617-1042
Fax: (920) 617-1100
www.riceinc.com

Florida Firm No: F-01000005061
Certificate of Authorization: #9090
Wayne K. Helms
Registration No: 59092