

QUALIFICATIONS:

International Maritime Organization Fire Test Procedures Code
 USCG Type Approval A-60. Approval Number 164.139/8/0.

European Wheel Mark  1408/05.

Southwest Research Institute Test report No. 01.10933.01.701.

MINIMUM SIZE: Vertical or Horizontal mount: 8" x 8" (200 x 200).
MAXIMUM SIZE: Single Section
 Vertical or Horizontal mount: 36" x 36" (915 x 915).
 Multiple Section Assembly
 Vertical or Horizontal mount: 72" x 36" (1830 x 915).

Nailor's Model 1201-MDG (galvanized), and 1201-MDS (stainless steel) marine fire dampers have been tested for 60 minutes, in both a Class A bulkhead and Class A deck, in accordance with the International Maritime Organization's Fire Test Procedure (FTP). Dampers are required by FTP to be welded or bolted to the ductwork (coaming) as described below, and that the ductwork (coaming) be insulated as described below. See Figures 1 and 2 below.

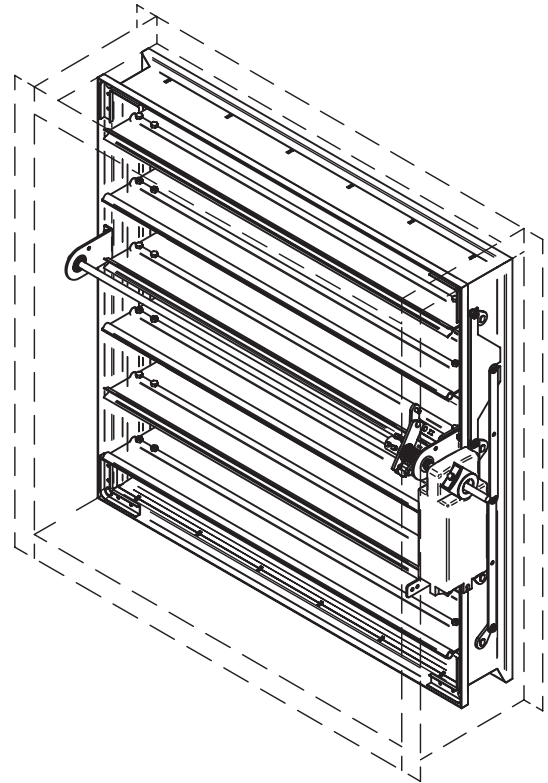
The ductwork (coaming) must be insulated on the damper side a minimum of 6" (152 mm) and also on the non-damper side a minimum of 18" (457 mm), using any A60 rated U.S. Coast Guard approved insulation. Install the insulation with 0.106" (2.7 mm) steel pins and 1.12" x 1.24" x 0.4" (28 mm x 31 mm x 10 mm) steel clips.

Either 3/8" (9.5 mm) by 1" (25 mm) long bolts, or welding may be used to attach damper to ductwork (coaming). Whether bolts or welding are used, the fasteners should be placed on 6" (152 mm) centers, and no more than 2" (51 mm) from corners.

Available pneumatic actuators: 331-2961 and 331-4826.

Available electric actuators: MS4120F, MS4620F, MS8120F, MS4x09F, or MS8x09F.

See installation instructions for each actuator.



Shown with an electric actuator and RH mounting. Pneumatic actuators, hand locking quadrant and LH mounting are available.

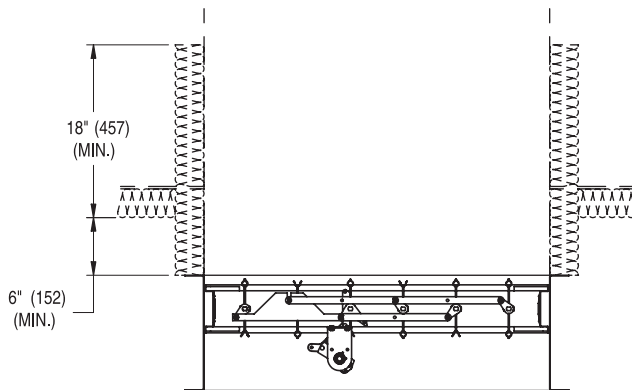


Fig. 1: Horizontal damper mount

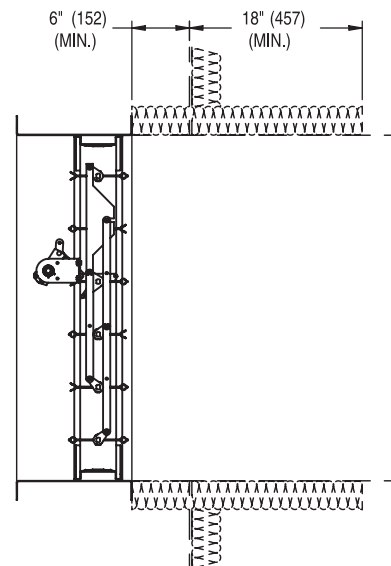


Fig. 2: Vertical damper mount



Houston, Texas
Tel: 281-590-1172
Fax: 281-590-3086

Las Vegas, Nevada
Tel: 702-648-5400
Fax: 702-638-0400

Toronto, Canada
Tel: 416-744-3300
Fax: 416-744-3360

Calgary, Canada
Tel: 403-279-8619
Fax: 403-279-5035