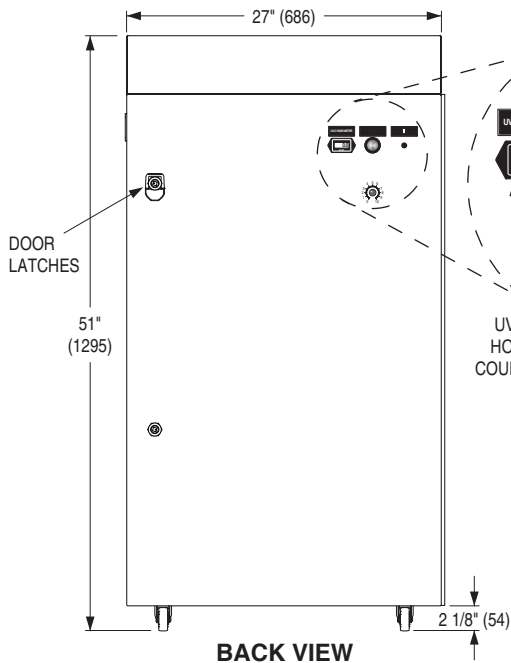
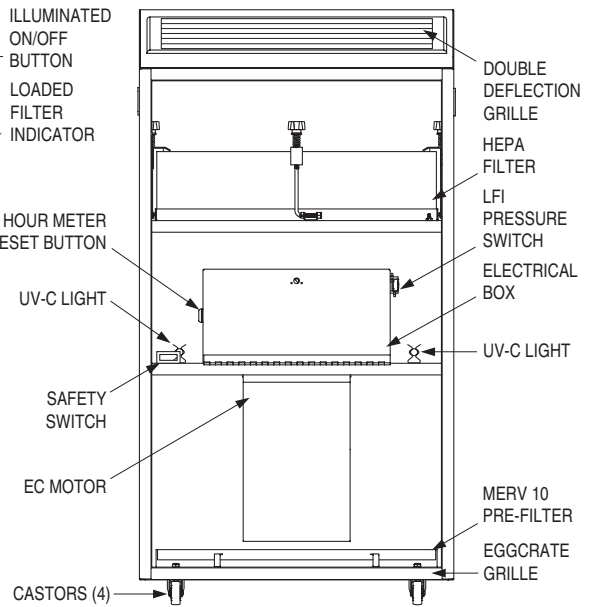
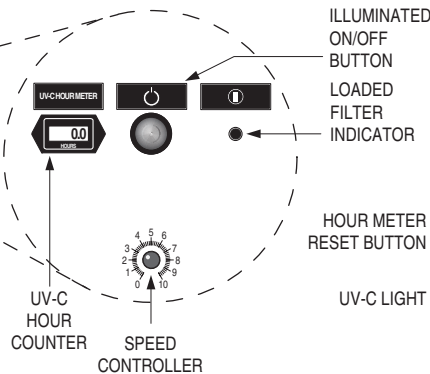




**MOBILE AIR CLEANER UNIT WITH HEPA FILTER**  
**HIGH CAPACITY • UV-C LIGHT OPTIONS**  
**STEEL • VARIABLE AIR VOLUME ECM**  
**MODEL: MAC-700**



**BACK VIEW**



**FRONT VIEW**  
(FRONT PANEL NOT SHOWN)

**DESCRIPTION:**

The MAC-700 provides continuous filtration of the space air to help reduce the risk of biological aerosol transmission without the requirement to involve your existing HVAC system. The MAC-700 is designed with bottom intake that creates a negative pressure to pull air from all sides to increase its ability to collect biomass and dust from the floor. The air will travel through the UV-C lights (optional) and filters before recirculating clean air up into the room.

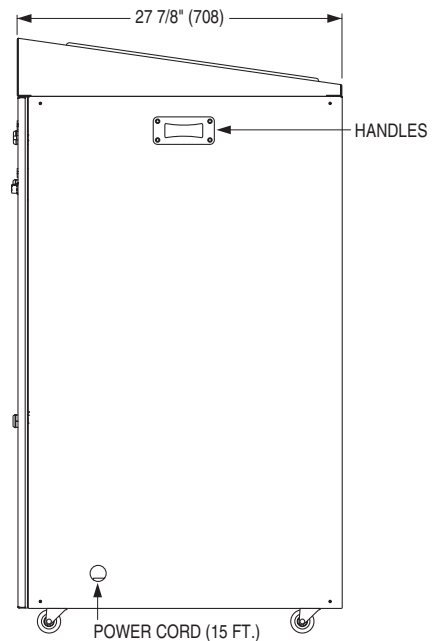
The MAC-700 contains a highly efficient EC Motor that pulls the space air through a MERV 10 pre-filter, UV-C lights and directs it through a HEPA filter and upward into the space without creating draft. The high capacity unit can supply up to 700 cfm (330 l/s) and is great for offices, schools, restaurants, and hotels.

**STANDARD FEATURES:**

- 20 gauge (0.95 mm) casing and 18 gauge (1.21 mm) door coated steel construction.
- Reversible top with double deflection supply grille. Enables front or rear controls/door location and adjustable air pattern control.
- Highly efficient constant torque, pressure dependant EC motor.
- Variable air volume control.
- MERV 10 Pre-filter.
- 6" (152) HEPA filter can capture 99.99% of contaminants down to .03 µm.
- Fiberglass insulation covered by perforated metal for reduced sound.
- Melamine insulation above HEPA for further sound reduction.
- Illuminated On / Off button.
- Hinged door with tamper-proof 1/4-turn latches (supplied with two keys).
- Safety door switch to turn off unit when door opens.
- Convenient standard 120 V power cord 15 ft. [4.572 m.].
- Listed by ETL to UL 1995.
- 198 lbs. (89.8 kg).
- Finish: AW Appliance White.

**OPTIONS:**

- LED Loaded Filter Indicator (for HEPA).
- UV-C High Intensity lights [2 @ 20" (508)].
- Bipolar Ionization.
- Hour counter for the filter and UV-C light replacement.



**SIDE VIEW**

Performance Data - MAC-700					
Airflow (CFM)		ECM H.P.	Full Load Amps (120 V)	Sound (dBA)	
Mid.	Max.			Mid. CFM	Max. CFM
350	700	0.75	3.5	49	59

Dimensions are in inches (mm).

**SCHEDULE TYPE:**

**PROJECT:**

**ENGINEER:**

**CONTRACTOR:**

DATE	B SERIES	SUPERSEDES	DRAWING NO.
1 - 29 - 21	MAC-700	11 - 25 - 20	MAC-700