

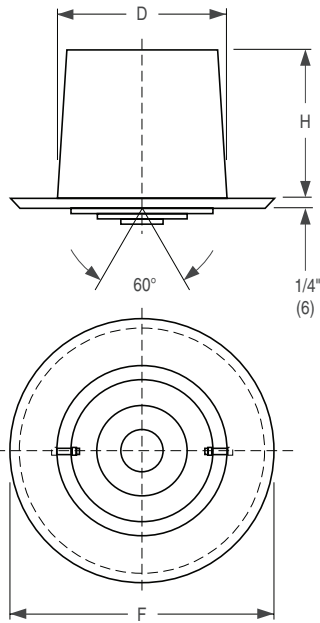


## ROUND AIR NOZZLE

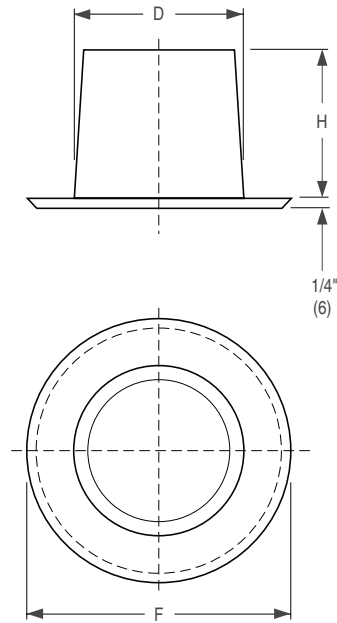
ALUMINUM • HIGH VELOCITY • ROUND NECK

MODELS: RANR RING DIRECTIONAL CORE

RANF FIXED (NO CORE)



RANR  
(Air Nozzle with Ring Directional Core)



RANF  
(Fixed Air Nozzle - No Core)

| Nominal Size | D        | F            | H          |
|--------------|----------|--------------|------------|
| 3            | 3 (76)   | 5 1/4 (133)  | 3 1/2 (89) |
| 4            | 4 (102)  | 6 1/4 (159)  | 3 1/2 (89) |
| 5            | 5 (127)  | 7 1/4 (184)  | 4 (102)    |
| 6            | 6 (152)  | 8 1/4 (210)  | 2 1/4 (57) |
| 8            | 8 (203)  | 10 1/4 (260) | 2 1/4 (57) |
| 10           | 10 (254) | 12 1/4 (311) | 2 1/4 (57) |
| 12           | 12 (305) | 14 1/4 (362) | 2 1/4 (57) |
| 14           | 14 (356) | 16 1/4 (413) | 2 1/4 (57) |
| 16           | 16 (406) | 18 1/4 (464) | 2 1/4 (57) |
| 18           | 18 (457) | 20 1/4 (514) | 2 1/4 (57) |
| 20           | 20 (508) | 22 1/4 (565) | 2 1/4 (57) |
| 22           | 22 (559) | 24 1/4 (616) | 2 1/4 (57) |
| 24           | 24 (610) | 26 1/4 (667) | 2 1/4 (57) |

Inches are measured to the nearest 1/16" (2).

### DESCRIPTION:

1. Material: Aluminum construction.
2. Models RANR and RANF Round Air Nozzles have been designed to provide efficient spot cooling and heating, along with an architectural appealing appearance. Ideally suited for new construction or retrofit, the versatile products can be used in supply or exhaust applications in a vertical or horizontal pattern.
3. Low sound levels. Low pressure requirements.
4. Sizes 3" to 5" (76 to 127) are provided with concealed "EZ" Fastener mount for ceiling installation. Sizes 6" to 24" (152 to 610) are provided with concealed mounting ring for hard duct installation.

5. Easy fingertip adjustment. Directional air pattern control:  $\pm 30^\circ$  deflection in one plane (Model RANR only).
6. Standard finish is AW Appliance White.

### OPTIONS:

- CSH Countersunk Screw Holes (on face).
- FDMR Flexible Duct Mounting Ring (6" to 24" [152 to 610] only).
- SP Special finish. Specify: \_\_\_\_\_.

SCHEDULE TYPE

PROJECT

ENGINEER

CONTRACTOR

Dimensions are in inches (mm).

DATE

B SERIES

SUPERSEDES

DRAWING NO.

3 - 21 - 18

RAN

1 - 29 - 19

RAN-1