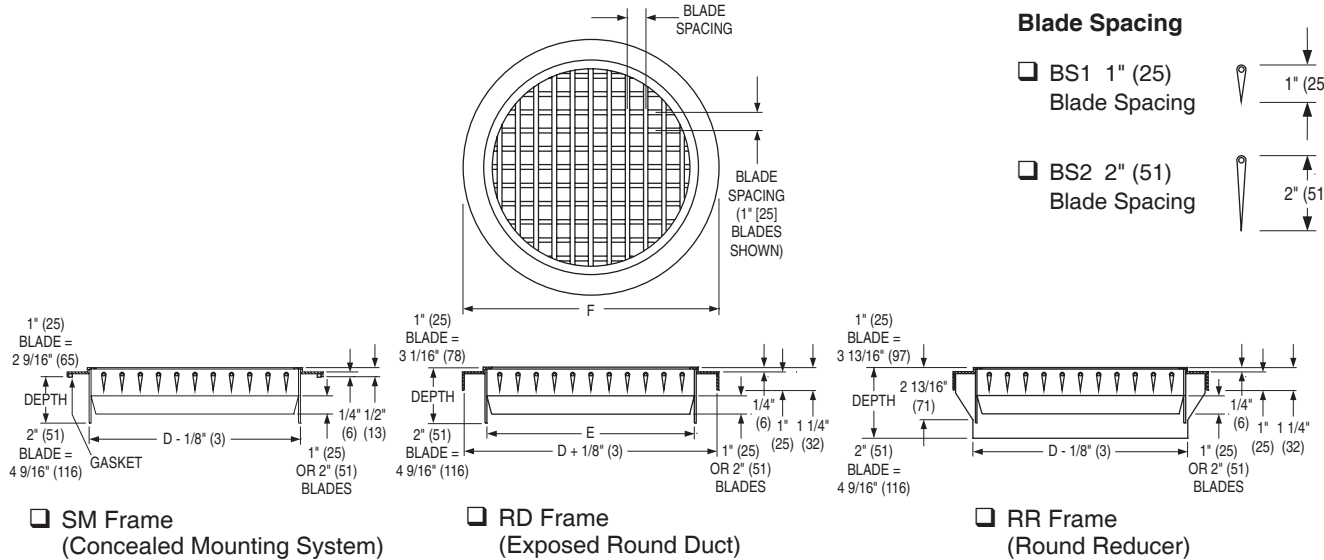




ROUND DOUBLE DEFLECTION GRILLE
 ALUMINUM • ADJUSTABLE VERTICAL & HORIZONTAL
 BLADES • ROUND NECK
MODEL: RDDG



Nom. Size	SM Frame		RD Frame †			RR Frame	
	D	F	D	E	F	D	F
** 6 (152)	6 (152)	8 1/4 (210)	8 (203)	6 (152)	8 1/4 (210)	6 (152)	8 1/4 (210)
8 (203)	8 (203)	10 1/4 (260)	10 (254)	8 (203)	10 1/4 (260)	8 (203)	10 1/4 (260)
10 (254)	10 (254)	12 1/4 (311)	12 (305)	10 (254)	12 1/4 (311)	10 (254)	12 1/4 (311)
12 (305)	12 (305)	14 1/4 (362)	14 (356)	12 (305)	14 1/4 (362)	12 (305)	14 1/4 (362)
14 (356)	14 (356)	16 1/4 (413)	16 (406)	14 (356)	16 1/4 (413)	14 (356)	16 1/4 (413)
16 (406)	16 (406)	18 1/4 (464)	18 (457)	16 (406)	18 1/4 (464)	16 (406)	18 1/4 (464)
18 (457)	18 (457)	20 1/4 (514)	20 (508)	18 (457)	20 1/4 (514)	18 (457)	20 1/4 (514)
20 (508)	20 (508)	22 1/4 (565)	22 (559)	20 (508)	22 1/4 (565)	20 (508)	22 1/4 (565)
22 (559)	22 (559)	24 1/4 (616)	24 (610)	22 (559)	24 1/4 (616)	22 (559)	24 1/4 (616)
24 (610)	24 (610)	26 1/4 (667)	26 (660)	24 (610)	26 1/4 (667)	24 (610)	26 1/4 (667)
***30 (762)	30 (762)	32 1/4 (819)	32 (813)	30 (762)	32 1/4 (819)	—	—

Note:
 † The RD frame model nominal size is 2" (51) smaller than the duct size it mounts to.
 Example: A size 10 mounts on a 12" (305) duct.

Size 6 not available with 2" (51) spacing. *Size 30 not available on all frames with 1" (25) spacing or on optional RR frame with 2" (51) spacing. Inches are measured to the nearest 1/16" (2).

DESCRIPTION:

1. Material: Aluminum construction with extruded airfoil blades with 1" or 2" (25 or 51) blade spacing depending on model and frame choice. See chart.
2. Model RDDG Round Double Deflection Grille is a contemporary air distribution grille with architectural appeal. It combines versatility and the modern esthetics of a flowing circular design with superior performance and high quality. The individually adjustable front and rear blades are designed so the air stream can be adjusted from a concentrated column of air to a conical widespread diffusion pattern. The versatility of the RDDG makes it suitable for applications requiring high velocity spot cooling or a dispersed airflow projection.
3. Frame Type SM – Concealed mounting system. Mounting ring and screws are included.
 Frame Type RD – Frame slides cleanly over end of exposed duct work. Mounting screws are included.
 Frame Type RR – Frame slides cleanly into end of exposed duct work. Mounting screws are included.
4. Standard finish is AW Appliance White.

OPTIONS:

- Frame:
- SM Surface Mount (Wall/Ceiling)
 - RD Exposed Round Duct
 - RR Round Reducer
- Finish:
- SP Special. Specify: _____

SCHEDULE TYPE		Dimensions are in inches (mm).			
PROJECT					
ENGINEER	DATE	B SERIES	SUPERSEDES	DRAWING NO.	
CONTRACTOR	1 - 30 - 19	RDDG	11 - 29 - 18	RDDG-1	