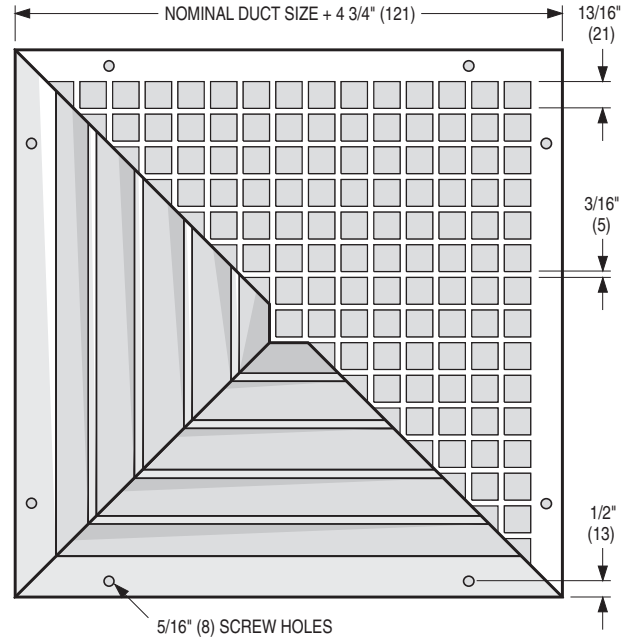
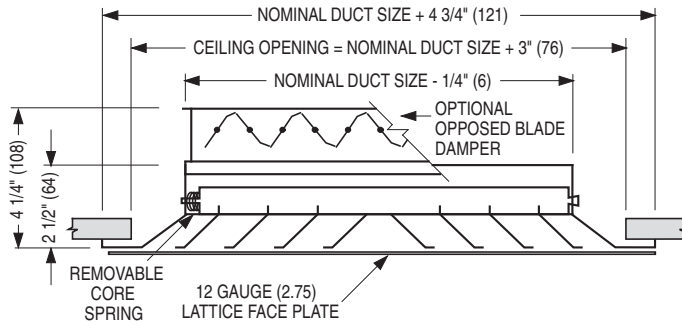




**MINIMUM SECURITY DIFFUSERS**  
 ALUMINUM • LOUVERED CORE  
 LATTICE FACE • 1, 2, 3 OR 4-WAY BLOW PATTERN  
**MODEL: SG-6200**

**Model SG-6500/6200**

Core Selection: 1S, 2S, 2G, 3A, 4A.



**Screw Hole Number and Location**

Neck Size	No.	Location
6"	4	Center line
9" to 18"	8	Two per side, 3" (76) from corner
21" to 24"	12	Three per side, equally spaced

**Model SG-6500** is most often used in minimum security areas such as lobbies and foyers where constant supervision is required. This ceiling diffuser assembly combines the high performance **Model Series 6500 Pattern Diffuser** with a heavy gauge steel lattice grille mounted on the diffuser face. Also optionally available in aluminum construction as **Model SG-6200**.

**MATERIALS:**

- The **Model Series 6500** diffuser with Frame Type S and 1, 2, 3 or 4-way blow pattern.
- Face plate is constructed of 12 gauge steel with 13/16" (21) square holes on 1" (25) centers. 3/16" (5) fret bars.

- Screw holes provided in face plate. Tamper proof/security screws by others to suit local requirements.

**FINISH:**

- Standard finish is AW Appliance White. Other finishes are available.

**OPTION:**

- Opposed blade damper. Adjustable from the face with lattice and core removed.

**SIZES:**

- Available in square neck sizes 6" x 6" (152 x 152) through 24" x 24" (610 x 610) in 3" (76) increments.

<b>SCHEDULE TYPE:</b>		Dimensions are in inches (mm).			
<b>PROJECT:</b>					
<b>ENGINEER:</b>	<b>DATE</b>	<b>B SERIES</b>	<b>SUPERSEDES</b>	<b>DRAWING NO.</b>	
<b>CONTRACTOR:</b>	7 - 20 - 16	SG	7 - 1 - 06	SG-6200	