

GENERAL PRODUCT OVERVIEW

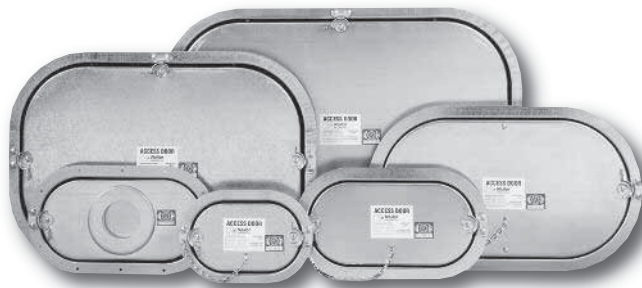
Fire dampers need inspecting and testing, coils need cleaning and controls need adjusting. Nailor Industries offers a range of duct and plenum access doors that have been designed to allow easy and convenient access to such equipment within HVAC ductwork, without compromising safety or ventilation, to meet different duct styles and application needs. The economical 08SCL and 08SH Models feature quality double skin construction that meets SMACNA requirements, with quick simple installation. The ultra-low leakage 0800 Flat Oval Series provides premium quality that optimizes access area and ease of installation. For round duct applications, the 0890 and 0895 Models provide easy mounting and positive closure. All models are available in a wide variety of sizes to suit each specific application and manufactured with pride by members of the Sheet Metal Workers International Association S.M.W.I.A.

MODELS 08SCL & 08SH SQUARE OR RECTANGULAR ACCESS DOORS

These economical quality access doors meet SMACNA requirements for systems up to 2" w.g. (500 Pa) and provide quick, simple installation wherever duct access is required; available in 20 sizes to meet all access requirements. Design features include a rugged die-formed 22 ga. (0.85) frame and double skin door panels for extra strength, camlock operation for positive seal and easy opening and notched knock-over tabs for a clean and easy installation.



Models 08SCL & 08SH



Model Series 0800

MODELS SERIES 0800 FLAT OVAL ACCESS DOORS

The Nailor 0800 Series Flat Oval duct access doors are engineered to provide a premium quality, ultra-low leakage door with optimum ergonomics in mind. The unique oval shape was designed after careful study of the needs of site engineering and maintenance personnel. Each door allows a different degree of access, enabling the most appropriate unit to be specified, depending on duct size and likely maintenance requirements. The 0800 Series is available in two frame styles for use with steel duct: a double flange screw hole mounting type (M1) or a knock-over tab type (M2). Both styles come with a simple installation cut-out template which makes the oval shape openings extra easy to cut.

MODEL 0800-5 POSITIVE PRESSURE TYPE ACCESS DOORS

Nailor Model 0800-5 Access Door was designed for use in higher pressure applications, yet it is suitable for use in medium and low pressure applications where the security of a positive pressure type access door is desired. The design of the 0800-5 is such that as positive static pressure in the duct increases, the force exerted on the door compresses the seal, eliminating any leakage possibilities. The ultra-low leakage design features include rugged die-formed construction, safety handles for assured opening and closing, and wing nut fasteners for secure attachment and alignment.



Model 0800-5

- PREMIUM PERFORMANCE
- FLAT OVAL DESIGN
- ULTRA-LOW LEAKAGE
- ERGONOMIC SIZING
- INSULATED

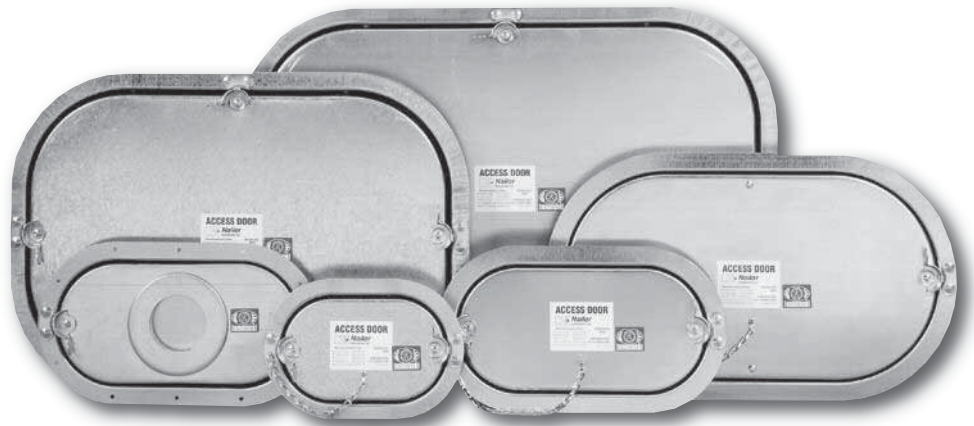
Model:

0800 Flat Oval

Mounting Types:

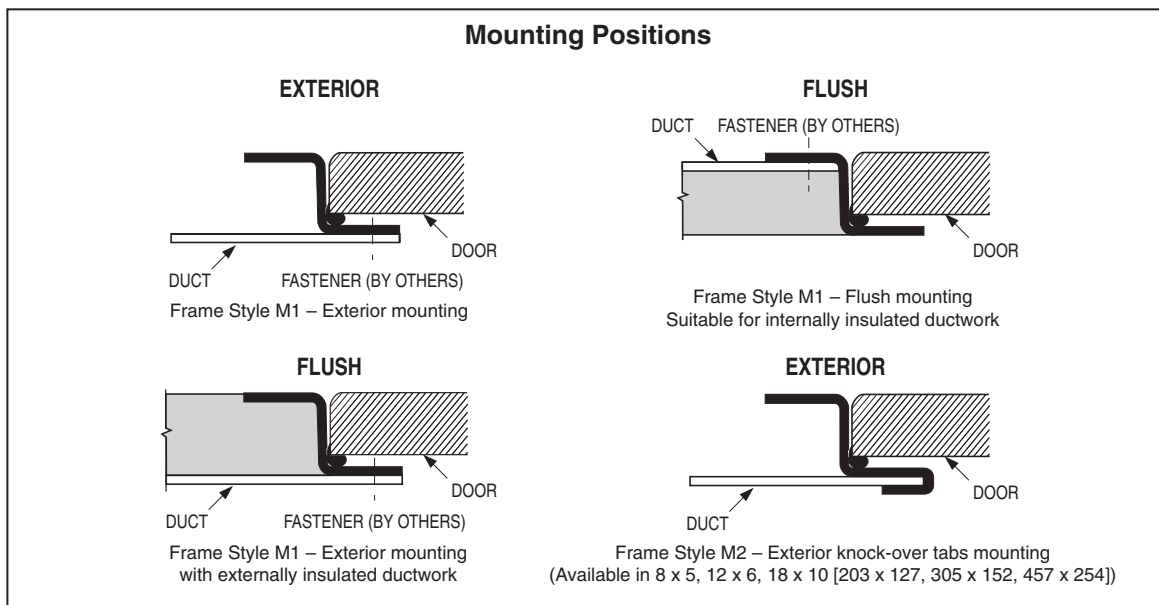
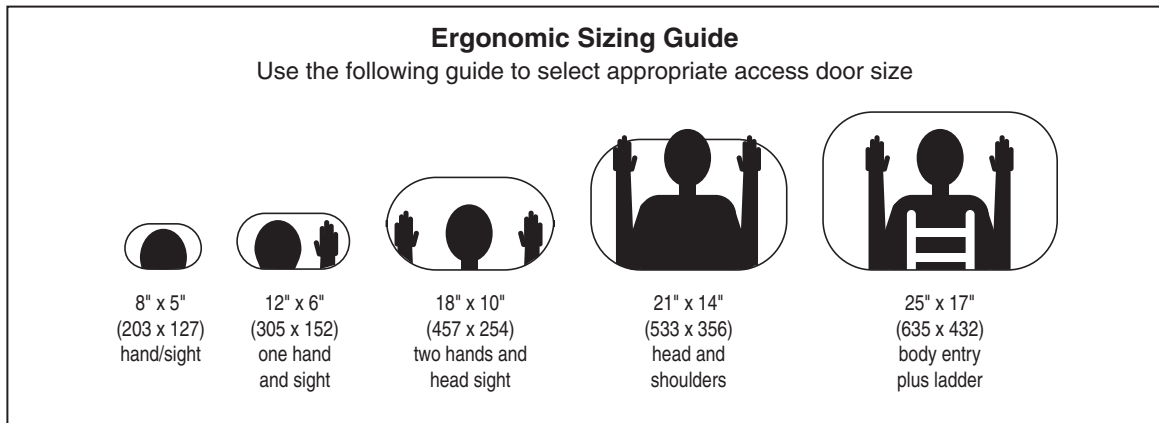
M1 Double Flange

M2 Knock-over Tabs



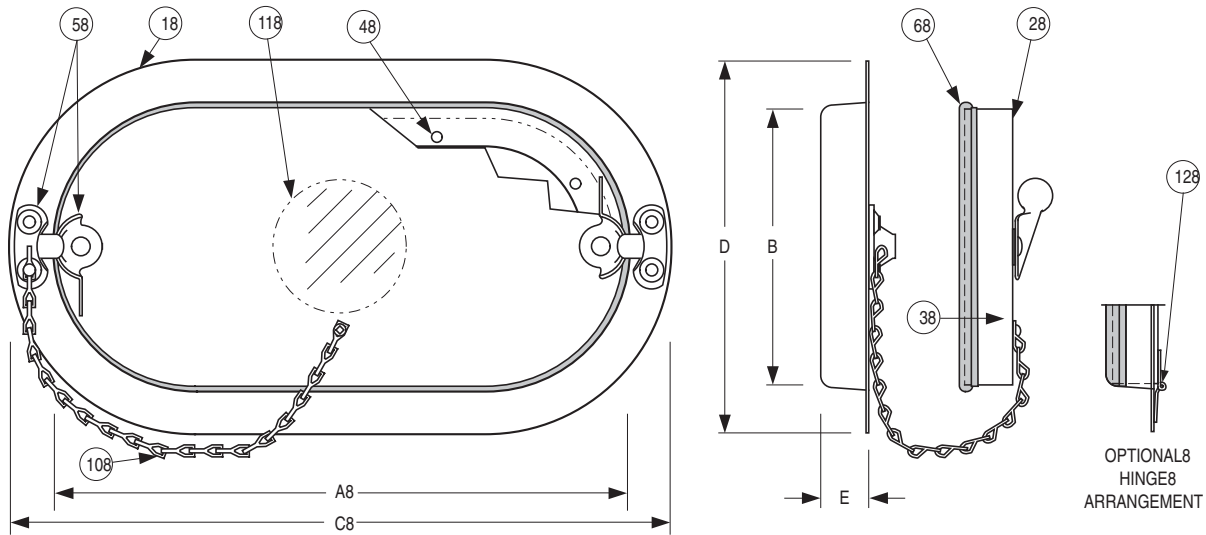
0800 Series

The Nailor 0800 Series Flat Oval Duct Access Doors were engineered to provide a premium quality, ultra-low leakage door with optimum ergonomics in mind. The unique oval shape was designed after careful study of the needs of site engineering and maintenance personnel. Each door allows a different degree of access, enabling the most appropriate unit to be specified depending on duct size and likely maintenance requirements. The 0800 Series is available in two frame styles for use with steel duct: a double flange screw hole mounting type (M1) or a knock-over tab type (M2). Both styles come with a cut-out template which makes the oval shape openings extra easy to cut, ensuring a simple and clean installation. The rugged die-formed frame, die-formed double skin door panel with secure continuous bulb seal gasket and progressive camlock operation make the 0800 Series a solid performer. These doors are continuously batch tested to 8 in. w.g. (2 kPa) static pressure in order to meet British Standard DW144 Class C for leakage. Suitable for use in low, medium and high pressure duct systems.



DIMENSIONAL DATA:

MODEL 0800 TYPE M1 DOUBLE FLANGE FRAME



Dimensional Data (W x H):

Nominal Size	A	B	C	D	E	Viewport
8 x 5 (203 x 127)	8 (203)	5 (127)	9 1/2 (241)	6 1/2 (165)	1 1/8 (29)	n/a
12 x 6 (305 x 152)	11 3/4 (298)	5 3/4 (146)	13 3/4 (349)	7 3/4 (197)	1 1/8 (29)	2 3/4 dia. (70)
18 x 10 (457 x 254)	17 3/4 (451)	9 3/4 (248)	19 3/4 (502)	11 3/4 (298)	1 1/8 (29)	5 1/2 dia. (140)
21 x 14 (533 x 356)	20 3/4 (527)	13 3/4 (349)	22 3/4 (578)	15 3/4 (400)	1 1/8 (29)	5 1/2 dia. (140)
25 x 17 (635 x 432)	24 3/4 (629)	16 3/4 (425)	26 3/4 (679)	18 3/4 (476)	1 1/8 (29)	5 1/2 dia. (140)

Note: See Ergonomic Sizing Guide on page 17 for sizing assistance.

STANDARD CONSTRUCTION:

- Frame:** Die-formed 22 ga. (0.85) galvanized steel flange frame for strength.
- Door Panel:** Die-formed 22 ga. (0.85) galvanized steel door panel for extra strength.
- Insulation:** 1" (25) dual density insulation with 22 ga. (.85) galvanized steel backing plate.
- Mounting:** 3/16" (5) dia. pre-punched attachment holes on inner flange for surface mounting.
- Fasteners:** Plated steel camlock fasteners.
- Seal:** Positive bulb flexible PVC door seal.
- Template:** Layout template included.
- Opening:** Oval shaped opening adaptable to all ducts 5" (127) or over.

COMMON OPTIONS:

- Mounting:** 3/16" (5) dia. pre-punched attachment holes for flush mounting.
- Safety Chain:** Safety chain.
- Viewport:** Viewport (not available on size 8" x 5" [203 x 127]).
- Hinge:** Hinge arrangement.
- Camlocks:** Pair of additional camlocks.

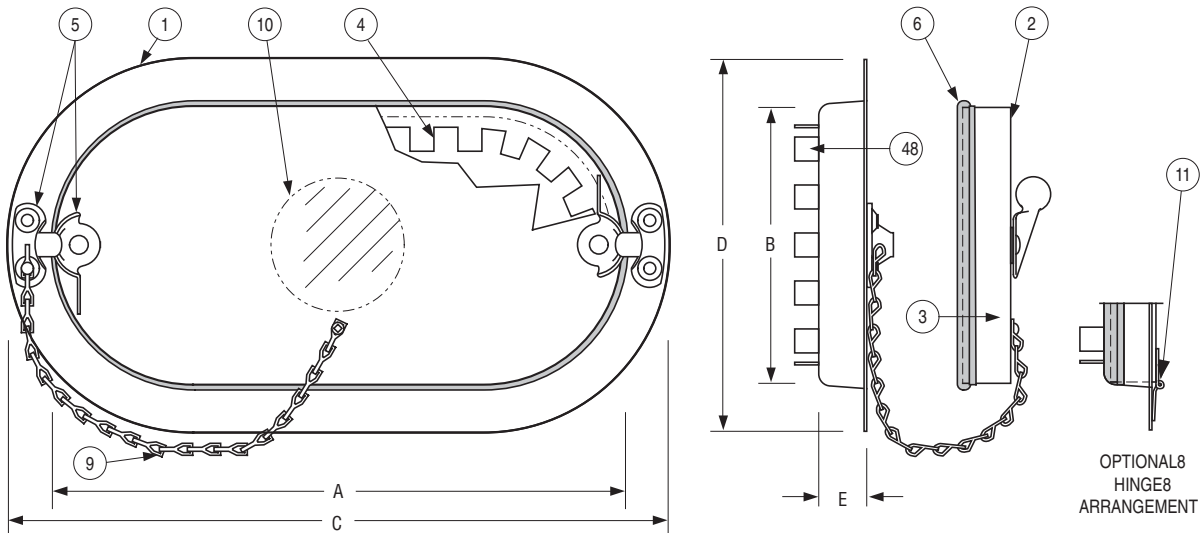
LEAKAGE INFORMATION:

Conforms to British Standard DW144 Class A, B and C. Maximum allowable leakage at 8" w.g. (2 kPa):

- 8" x 5" (203 x 127): 0.036 cfm (1.02 l/min.)
- 12" x 6" (304 x 152): 0.064 cfm (1.8 l/min.)
- 18" x 10" (457 x 254): 0.133 cfm (3.78 l/min.)
- 21" x 14" (533 x 356): 0.206 cfm (5.82 l/min.)
- 25" x 17" (635 x 432): 0.286 cfm (8.1 l/min.)

DIMENSIONAL DATA:

MODEL 0800 TYPE M2 KNOCK-OVER TABS



Dimensional Data (W x H):

Nominal Size	A	B	C	D	E	Viewport
8 x 5 (203 x 127)	8 (203)	5 (127)	9 1/2 (241)	6 1/2 (165)	1 1/8 (29)	n/a
12 x 6 (305 x 152)	11 3/4 (298)	5 3/4 (146)	13 3/4 (349)	7 3/4 (197)	1 1/8 (29)	2 3/4 dia. (70)
18 x 10 (457 x 254)	17 3/4 (451)	9 3/4 (248)	19 3/4 (502)	11 3/4 (298)	1 1/8 (29)	5 1/2 dia. (140)

Note: See Ergonomic Sizing Guide on page I7 for sizing assistance.

STANDARD CONSTRUCTION:

- 1. Frame:** Die-formed 22 ga. (0.85) galvanized steel flange frame for strength.
- 2. Door Panel:** Die-formed 22 ga. (0.85) galvanized steel door panel for extra strength.
- 3. Insulation:** 1" (25) dual density insulation with 22 ga. (.85) galvanized steel backing plate.
- 4. Tabs:** Notched knock-over tabs.
- 5. Fasteners:** Plated steel camlock fasteners.
- 6. Seal:** Positive bulb flexible PVC door seal.
- 7. Template:** Layout template included.
- 8. Opening:** Oval shaped opening adaptable to all ducts 5" (127) or over.

COMMON OPTIONS:

- 9. Safety Chain:** Safety chain.
- 10. Viewport:** Viewport (not available on size 8" x 5" [203 x 127]).
- 11. Hinge:** Hinge arrangement.
- 12. Camlocks:** Pair of additional camlocks.

LEAKAGE INFORMATION:

Conforms to British Standard DW144 Class A, B and C.
 Maximum allowable leakage at 8" w.g. (2 kPa):
 8" x 5" (203 x 127): 0.036 cfm (1.02 l/min.)
 12" x 6" (304 x 152): 0.064 cfm (1.8 l/min.)
 18" x 10" (457 x 254): 0.133 cfm (3.78 l/min.)

HOW TO ORDER OR TO SPECIFY

MODEL: 0800 FLAT OVAL ACCESS DOOR

EXAMPLE: 0800 - 1206 - M1 - IN - HG - SC - VP - PO

- | <p>1. Models</p> <p>0800 Removable Door
(Paired Camlocks), Double Flange
Frame</p> | <p>3. Frame/Mounting Style</p> <p>M1 Double Flange
(available on all sizes).</p> <p>M2 Knock-over Tabs
(available only on 8" x 5", 12" x 6",
18" x 10" [203 x 127, 305 x 152,
457 x 254]).</p> | <p>OPTIONS:</p> <p>5. HG Hinge arrangement.</p> <p>6. SC Safety Chain.</p> <p>7. VP Viewport (not available on 8" x 5" [203 x 127] door).</p> <p>8. CL Pair of additional camlocks for size 18" x 10" (457 x 254) (for static pressures above 4" w.g./1 kPa).</p> <p>9. PO Pre-punched holes on outer flange of Type M1 frame.</p> | | | | | | | | | | | | | | | | | | |
|--|---|---|--------|------|---------|-------------|------|----------|-------------|------|-----------|-------------|------|-----------|-------------|------|-----------|-------------|--|--|
| <p>2. Nominal Size</p> <p>Width x Height</p> <table border="0"> <thead> <tr> <th>Code</th> <th>inches</th> <th>(mm's)</th> </tr> </thead> <tbody> <tr> <td>0805</td> <td>8" x 5"</td> <td>(203 x 127)</td> </tr> <tr> <td>1206</td> <td>12" x 6"</td> <td>(305 x 152)</td> </tr> <tr> <td>1810</td> <td>18" x 10"</td> <td>(457 x 254)</td> </tr> <tr> <td>2114</td> <td>21" x 14"</td> <td>(533 x 356)</td> </tr> <tr> <td>2517</td> <td>25" x 17"</td> <td>(635 x 432)</td> </tr> </tbody> </table> | Code | inches | (mm's) | 0805 | 8" x 5" | (203 x 127) | 1206 | 12" x 6" | (305 x 152) | 1810 | 18" x 10" | (457 x 254) | 2114 | 21" x 14" | (533 x 356) | 2517 | 25" x 17" | (635 x 432) | <p>4. Insulation</p> <p>IN Insulated (standard).</p> <p>UI Uninsulated.</p> | |
| Code | inches | (mm's) | | | | | | | | | | | | | | | | | | |
| 0805 | 8" x 5" | (203 x 127) | | | | | | | | | | | | | | | | | | |
| 1206 | 12" x 6" | (305 x 152) | | | | | | | | | | | | | | | | | | |
| 1810 | 18" x 10" | (457 x 254) | | | | | | | | | | | | | | | | | | |
| 2114 | 21" x 14" | (533 x 356) | | | | | | | | | | | | | | | | | | |
| 2517 | 25" x 17" | (635 x 432) | | | | | | | | | | | | | | | | | | |

SUGGESTED SPECIFICATION:

Provide and install as shown on plans and/or schedules and at each fire damper location, duct access doors as manufactured by Nailor Industries, Inc., which meet the following criteria: Access doors shall meet British Standard DW144 Class C for leakage. Manufacturer shall submit leakage data tested to minimum of 8 in. w.g. (2 kPa). Frame shall be of flat oval design, constructed of die-formed 22 ga. (0.85) galvanized steel. Door shall be constructed of die-formed 22 ga. (0.85) galvanized steel and be of double skin construction with 1" (25) insulation fully enclosed within the door panel. Bulb type seal shall be integrally fastened to door for positive seal. Standard of Acceptance shall be Nailor Industries Model 0800.