

FMSD

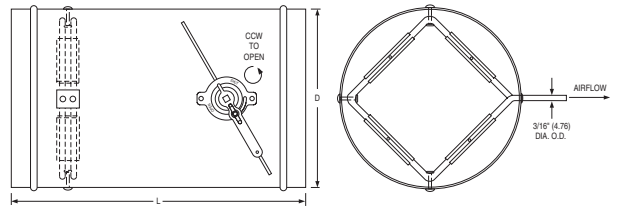
FLOW MEASURING STATION WITH BALANCING DAMPER

The Nailor 36FMSD Flow Measuring Station is a multi-point averaging airflow sensor combined with an integral balancing damper. The 36FMSD allows the field balancer to accurately measure and adjust the airflow to a diffuser located downstream.

A factory provided chart affixed to the unit provides information to the balancer for airflow vs. signal differential pressure. Model 36FMSD is shipped loose for field installation.

STANDARD CONSTRUCTION:

- 22 ga. (0.86) corrosion-resistant steel casing with hand locking quadrant and blade up to 12" (305) dia., 20 ga. (1.0) over 12" (305).
- Inlet and outlet stiffening beads provide means for secure duct connection.
- Diamond Flow Sensor: Aluminum construction.
- Sensor design minimizes pressure drop and regenerated noise.
- Sized to fit nominal round duct sizes: 4" – 18" (102 – 457).



BD

BALANCING DAMPER

Nailor option BD is a manual balancing damper suitable for all types of round ductwork applications and is designed for use in the majority of low pressure and velocity commercial HVAC systems. Option BD installs easily in round spiral ductwork and supplied as standard with a hand locking quadrant. Not intended to be used in applications as a positive shut-off or automatic control damper. Option BD ships loose for field installation.

STANDARD CONSTRUCTION:

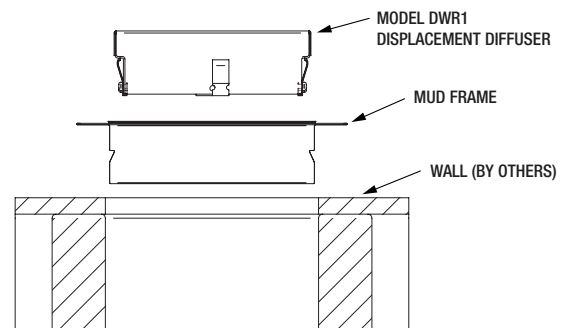
- 22 ga. (0.86) corrosion-resistant steel blade and frame up to 12" (305) dia., 20 ga. (1.0) over 12" (305).
- Inlet and outlet stiffening beads provide means for secure duct connection.
- 1/4" (6) dia. plated steel drive axle bolted to blade.
- Plated steel hand locking quadrant.



PMF

PLASTER/MUD FRAME

A plaster/mud frame is available for Model DWR1 Rectangular Riser/Recessed Mount Wall Mount Diffusers. The PMF provides a quick and tidy installation, resulting in a clean architectural finished appearance. The PMF is constructed of heavy gauge extruded aluminum and shipped complete with die-formed corner gussets, ready for field installation, saving time and labor cost.



DC

DUCT COVERS

Nailor Duct Covers provide a consistent and appealing architectural look from floor to ceiling by concealing attached ductwork. They are available in corrosion-resistant solid steel, or perforated steel to match the diffuser face. When using a perforated duct cover, the ductwork can be painted black to conceal it and create a finished look.

Duct covers are supplied in varying lengths to accommodate any ceiling height and widths to match the overall size of the diffuser, and can be split into multiple sections to create a symmetrical look. They are ideal for top ducted diffusers where exposed duct work is not desired, such as in lobbies, boardrooms and restaurants. Covers are shipped loose and field installed where required. Duct covers are available for Nailor Model Series DFF rectangular floor standing and DFR round floor displacement diffusers only.

FEATURES:

- 20 ga. (1.0) corrosion-resistant steel.
- Support extrusion, where required, is aluminum.
- Width, radius/diameter and depth are based on the corresponding displacement diffuser selected.
- Standard heights available: 12" – 96" (305 – 2438).
- Appliance White polyester powder coat finish standard, optional finishes available.
- Custom duct covers available, contact factory.



DB

DUCT BASES

Duct bases are available for Nailor Model Series DFF rectangular and DFR round displacement diffusers. This allows the diffuser to be installed above floor level, maintaining the architectural feel of base board and molding heights. Duct bases can be removable to provide access to bottom ducted units for easier installation. A base provides protection from damage while cleaning and can prevent exposure to excessive moisture and chemicals.

The base is inset by 1" (25) from the face of the diffuser and is constructed to match the dimensions of the corresponding diffuser model selected. Bases are shipped loose and field installed where required.

FEATURES:

- 20 ga. (1.0) corrosion-resistant steel.
- Standard heights available: 2" – 6" (51 – 152).
- Width, radius/diameter and depth are based on the corresponding displacement diffuser selected.
- Appliance White polyester powder coat finish standard, optional finishes available.
- Custom duct bases available, contact factory.



HOW TO ORDER OR TO SPECIFY

DISPLACEMENT DIFFUSER ACCESSORIES

DFF SERIES DIFFUSER BASES

- 1. **Model**
 DFF1DB Diffuser Base
 DFF3DB Diffuser Base
 DFF1CDB Diffuser Base
- 2. **Width** (inches)
 24", 30", 36", 48", 60"
- 3. **Height** (inches)
 2", 3", 4", 5", 6"
- 4. **Depth**
 13", 16", 17"
 (DFF1DB and DFF3DB only)
- 5. **Finish**
 AW Appliance White
 AL Aluminum
 BK Black
 BW British White
 SP Special custom color

Note:

1. See page D3 for available combinations of unit width and depth for DFF Series Diffuser Bases

DFR SERIES DIFFUSER BASES

- 1. **Model**
 DFR90DB Diffuser Base
 DFR180DB Diffuser Base
 DFR180HDB Diffuser Base
 DFR360DB Diffuser Base
- 2. **Diameter** (inches)
 12", 18", 24", 30", 36", 42", 48"
- 3. **Height** (inches)
 2", 3", 4", 5", 6"
- 4. **Finish**
 AW Appliance White
 AL Aluminum
 BK Black
 BW British White
 SP Special custom color

DFF SERIES DUCT COVERS

- 1. **Model**
 DFF1DC Duct Cover
 DFF3DC Duct Cover
 DFF1CDC Duct Cover
- 2. **Width** (inches)
 24", 30", 36", 48", 60"
- 3. **Height** (inches)
 Specify in inches
 Minimum 12"/Maximum 96"
- 4. **Depth** (inches)
 13", 16", 17"
 (DFF1DC and DFF3DC only)
- 5. **Material**
 DCS Solid Panels
 DCP Perforated Panels
- 6. **Finish**
 AW Appliance White
 AL Aluminum
 BK Black
 BW British White
 SP Special custom color

DFR SERIES DUCT COVERS

- 1. **Model**
 DFR90DC Duct Cover
 DFR180DC Duct Cover
 DFR180HDC Duct Cover
- 2. **Diameter** (inches)
 12", 18", 24", 30", 36", 42", 48"
- 3. **Height** (inches)
 Specify in inches
 Minimum 12"/Maximum 96"
- 4. **Material**
 DCS Solid Panels
 DCP Perforated Panels
- 5. **Finish**
 AW Appliance White
 AL Aluminum
 BK Black
 BW British White
 SP Special custom color