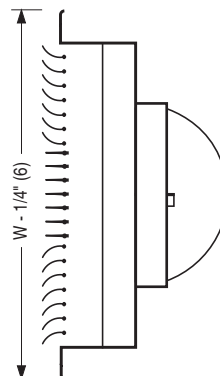
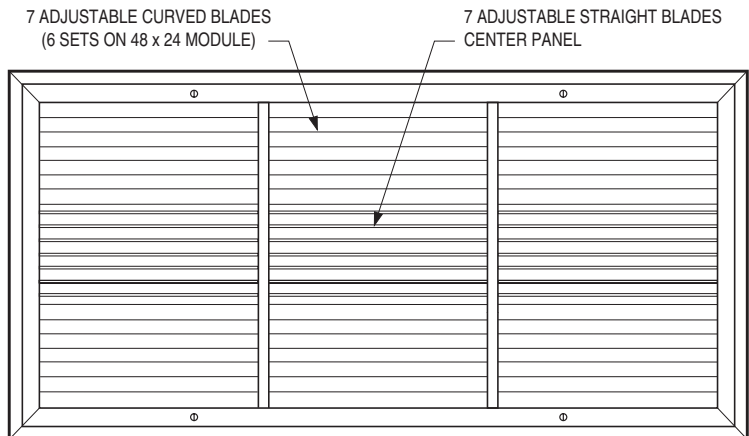
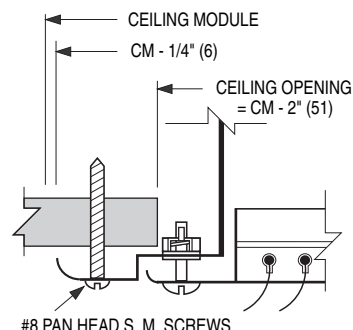




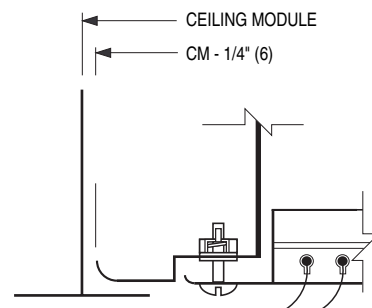
**RADIAL PATTERN DIFFUSER**  
**ADJUSTABLE CURVED BLADES AND STRAIGHT**  
**BLADE CENTER PANEL • REMOVABLE FACE**  
**MODEL: 92CBSRP-AL ALUMINUM**



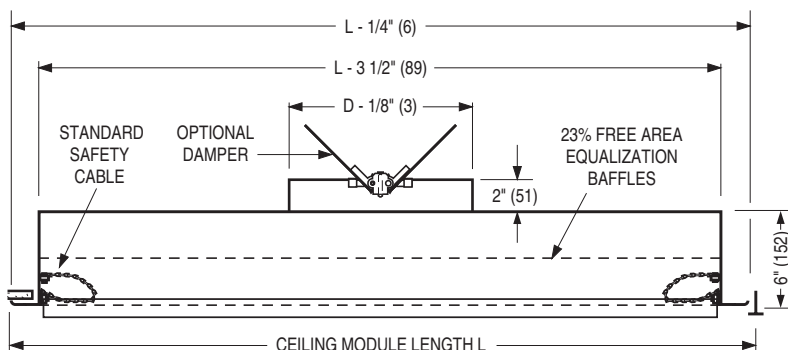
**TYPE S** Surface Mount Detail



**TYPE L\*** Lay-in T-Bar Detail



\*Compatible with all T-Bars up to 2" (51) wide.



**Ceiling Module Sizes L x W & Nom. Round Duct Sizes D**

L x W	Imperial Modules (inches)		24 x 24	48 x 24
	Metric Modules (mm)		600 x 600	1200 x 600
Duct Size D	(inches)		8, 10	10, 12
	(mm)		203, 254	254, 305

**DESCRIPTION:**

The 92CBSRP has been designed to provide an adjustable radial air pattern for delivering high volumes of low velocity air.

Two sets of individually adjustable curved blade pattern controllers provide field control flexibility and can be set to produce custom, effective directional control with minimum resistance and noise generation. The straight blade center panel permits a controlled blow pattern adjustment directly below the diffuser. Internal air baffles in the plenum equalize air flow across the diffuser face.

The hemispherical 180° air pattern provides higher air volumes with much shorter throws than conventional diffusers. Suitable for pharmaceutical manufacturing, biotechnology research, laboratories, food processing and other cleanroom applications.

**CONSTRUCTION:**

1. Extruded aluminum frame and blades. The face panel is removable for cleaning and is secured by 1/4 turn fasteners.
2. Aluminum backpan and baffles.
3. Standard safety cables prevent accidental dropping of removable face.
4. Standard finish is AW Appliance White. Other finishes available.

**OPTIONS:**

Damper:

- BD** Butterfly damper, coated steel, AW Appliance White finish.

Insulation:

- EX05** 0.5" (13) External Foil-Back Fiberglass Insulation.  
 **EX15** 1.5" (38) External Foil-Back Fiberglass Insulation, R-4.2.

Finish:

- BA** Appliance White face with black backpan and baffles (hides internal components from view).  
 **Other** \_\_\_\_\_ .

**ACCESSORIES:**

- DFA** Aluminum Drywall/Plaster Frame. Provides simple easy installation of Type L in hard ceilings. (See submittal dwg. ACC-DFA). Ordered separately.

<b>SCHEDULE TYPE</b>		Dimensions are in inches (mm).			
<b>PROJECT</b>					
<b>ENGINEER</b>	<b>DATE</b>	<b>B SERIES</b>	<b>SUPERSEDES</b>	<b>DRAWING NO.</b>	
<b>CONTRACTOR</b>	5 - 16 - 22	9200	10 - 29 - 15	92CBSRP-AL	