



**FLOWLINE™ LINEAR SLOT DIFFUSERS**  
 LAY-IN UNITS FOR BOLT SLOT (FINELINE TYPE) T-BAR  
 HORIZONTAL HIGH THROW PATTERN CONTROLLERS  
**MODEL SERIES: FTBH**

**Uninsulated Supply Models:**

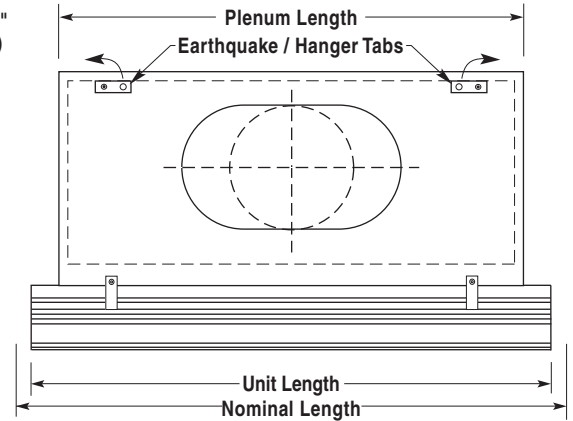
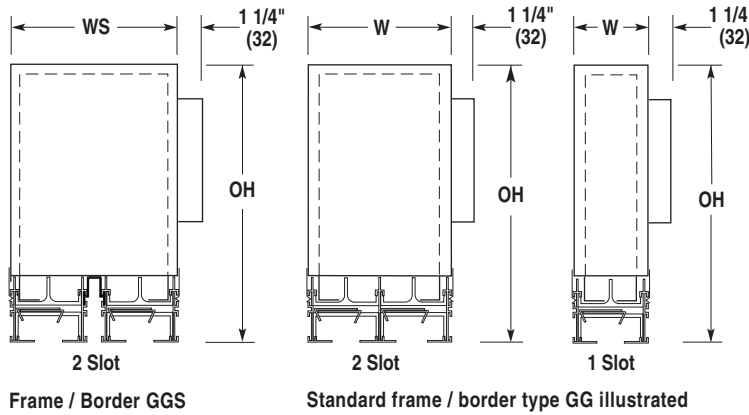
- FTBH10 • 1" (25) Slot
- FTBH15 • 1½" (38) Slot
- FTBH20 • 2" (51) Slot
- FTBH25 • 2½" (64) Slot
- FTBH30 • 3" (76) Slot

**Internally Supply Insulated Models:**

- FTBHI10 • 1" (25) Slot
- FTBHI15 • 1½" (38) Slot
- FTBHI20 • 2" (51) Slot
- FTBHI25 • 2½" (64) Slot
- FTBHI30 • 3" (76) Slot

**Return Models: No Plenum**

- FTBHR10 • 1" (25) Slot
- FTBHR15 • 1½" (38) Slot
- FTBHR20 • 2" (51) Slot
- FTBHR25 • 2½" (64) Slot
- FTBHR30 • 3" (76) Slot

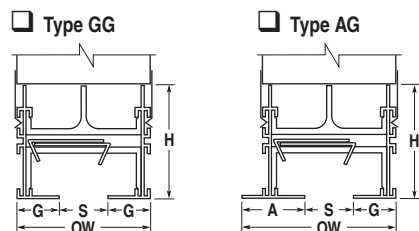


**Dimensional Data (Imperial Grids)**

Nominal Length	Unit Length	Plenum Length	Available Inlet Sizes	
			1 Slot	2 Slot
24 (610)	23 3/8 (594)	20 3/8 (518)	6(152), 8(203) Round	6(152), 8 (203), 10 (254), 12 (305), 14 (356) Flat Oval*
48 (1219)	47 3/8 (1203)	44 3/8 (1127)	10 (254), 12 (305), 14 (356) Flat Oval*	14 (356) Round

FTBH Series Model	1 Slot		2 Slot		
	W	OH	W	WS	OH
FTBH(I)10	2 3/4 (70)	12 3/8 (314)	5 3/16 (132)	6 1/16 (154)	18 3/8 (467)
FTBH(I)15	3 3/4 (95)	12 5/8 (321)	7 3/16 (183)	8 1/16 (205)	18 5/8 (473)
FTBH(I)20	4 3/4 (121)	12 7/8 (327)	9 3/16 (233)	10 1/16 (256)	18 7/8 (479)
FTBH(I)25	5 3/4 (146)	13 1/8 (333)	11 3/16 (284)	12 1/16 (306)	19 1/8 (486)
FTBH(I)30	6 3/4 (171)	13 3/8 (340)	13 3/16 (335)	14 1/16 (357)	19 3/8 (492)

**FTBH Series Border Types. One Slot Units.**

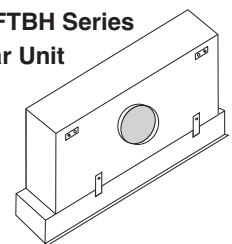


\* Equivalent Oval: 10" (254) = 11" x 7 7/8" (279 x 200);  
 12" (305) = 14 1/8" x 7 7/8" (359 x 200);  
 14" (356) = 17 5/16" x 7 7/8" (440 x 200).

**Dimensional Data - Imperial (Metric) Units**

FTBH Series Model	S Slot Width	A Border Width	G Border Width	H Height	OW Overall Width for Frame / Border Type	
					GG	AG
FTBH(I)10, FTBHR10	1 (25)	1 1/32 (33)	7/8 (22)	2 3/8 (60)	2 3/4 (70)	3 5/32 (80)
FTBH(I)15, FTBHR15	1 1/2 (38)	1 17/32 (39)	1 1/8 (29)	2 5/8 (67)	3 3/4 (95)	4 5/32 (106)
FTBH(I)20, FTBHR20	2 (51)	1 25/32 (45)	1 3/8 (35)	2 7/8 (73)	4 3/4 (121)	5 5/32 (131)
FTBH(I)25, FTBHR25	2 1/2 (64)	2 1/32 (52)	1 5/8 (41)	3 1/8 (79)	5 3/4 (146)	6 5/32 (156)
FTBH(I)30, FTBHR30	3 (76)	2 9/32 (58)	1 7/8 (48)	3 3/8 (86)	6 3/4 (171)	7 5/32 (182)

**Flowline™ FTBH Series Lay-in T-Bar Unit**



Page 1 of 2  
 Dimensions are in inches (mm).

**SCHEDULE TYPE**

**PROJECT**

**ENGINEER**

**CONTRACTOR**

**DATE**

**B SERIES**

**SUPERSEDES**

**DRAWING NO.**

12 - 21 - 16

FL

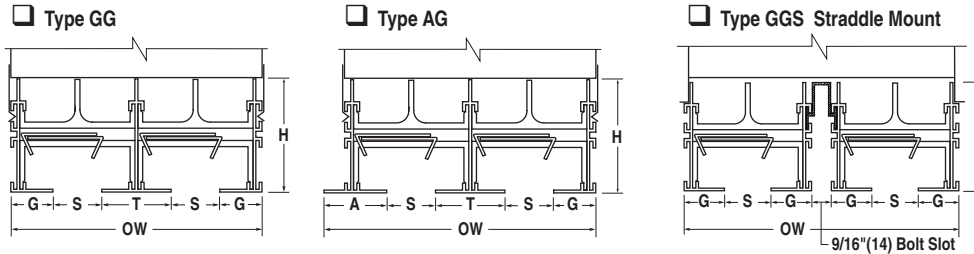
6 - 17 - 16

FTBH-1



**FLOWLINE™ LINEAR SLOT DIFFUSERS**  
 LAY-IN UNITS FOR BOLT SLOT (FINELINE TYPE) T-BAR  
 HORIZONTAL HIGH THROW PATTERN CONTROLLERS  
**MODEL SERIES: FTBH**

**FTBH Series Border Types. Two Slot Units.**

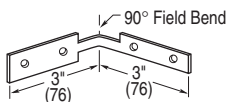


**Dimensional Data - Imperial (Metric) Units**

Model	S Slot Width	A Border Width	G Border Width	H Height	T 2 Slot	OW Overall Width for Frame / Border Type		
						GG	AG	GGs
FTBH(I)10, FTBHR10	1 (25)	1 9/32 (33)	7/8 (22)	2 3/8 (60)	1 7/16 (37)	5 3/16 (132)	5 19/32 (142)	6 1/16 (154)
FTBH(I)15, FTBHR15	1 1/2 (38)	1 17/32 (39)	1 1/8 (29)	2 5/8 (67)	1 15/16 (49)	7 3/16 (183)	7 19/32 (193)	8 1/16 (205)
FTBH(I)20, FTBHR20	2 (51)	1 25/32 (45)	1 3/8 (35)	2 7/8 (73)	2 7/16 (62)	9 3/16 (233)	9 19/32 (244)	10 1/16 (256)
FTBH(I)25, FTBHR25	2 1/2 (64)	2 1/32 (52)	1 5/8 (41)	3 1/8 (79)	2 15/16 (75)	11 3/16 (284)	11 19/32 (294)	12 1/16 (306)
FTBH(I)30, FTBHR30	3 (76)	2 9/32 (58)	1 7/8 (48)	3 3/8 (86)	3 7/16 (87)	13 3/16 (335)	13 19/32 (345)	14 1/16 (357)

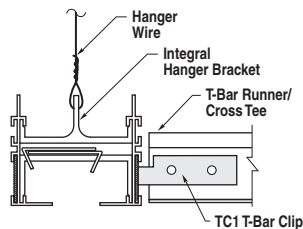
**Optional Mounting Hardware**

**TC1 T-Bar Clip (Field Formed)**

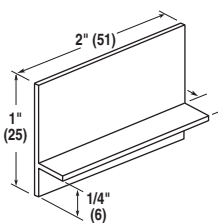


The TC1 T-Bar Clip is used to attach drop tees to the FlowLine™ assembly.

**Type GG Frame/ border illustrated**

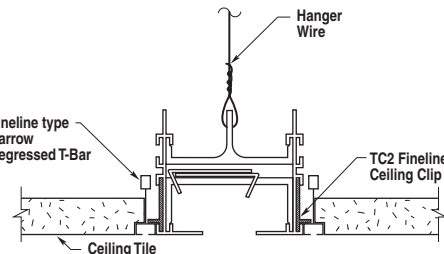


**TC2 Fineline T-Bar Clip**

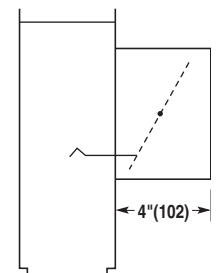


The TC2 Fineline T-Bar Clips are used to support and level the Flowline™ assembly in Bolt-Slot (Fineline type) suspension systems.

**Type GG Flangeless Frame**



**Optional ID Inlet Damper**



**Notes:**

- Material: Heavy duty extruded aluminum frame and spacers. Corrosion resistant steel pattern controllers and plenum.
- The FTBH Supply Series are modular units complete with factory mounted engineered plenum for Bolt Slot (Fineline Type) T-Bar application. Units are supplied with flat end caps.
- The FTBHR Return Series are modular units for lay-in T-Bar and will not include a plenum. Units are supplied with a flat end cap.
- Adjustable pattern controllers on 24" (610) centers.
- Standard finish is AW Appliance White baked enamel on exposed frames with black pattern controllers and interior surfaces.

**Options:**

SP Special Finish \_\_\_\_\_.

<b>SCHEDULE TYPE</b>	Page 2 of 2			
<b>PROJECT</b>	Dimensions are in inches (mm).			
<b>ENGINEER</b>	<b>DATE</b>	<b>B SERIES</b>	<b>SUPERSEDES</b>	<b>DRAWING NO.</b>
<b>CONTRACTOR</b>	12 - 21 - 16	FL	6 - 17 - 16	FTBH-1



**FLOWLINE™ LINEAR SLOT DIFFUSERS**  
 LAY-IN UNITS FOR BOLT SLOT (FINELINE TYPE) T-BAR  
 VERTICAL JET THROW PATTERN CONTROLLERS  
**MODEL SERIES: FTBV**

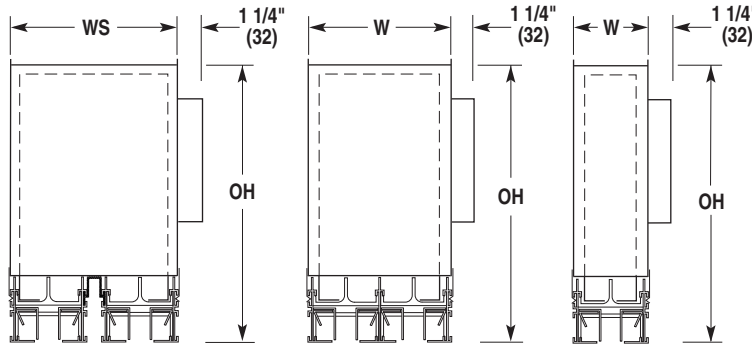
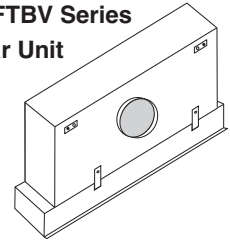
**Uninsulated Models:**

- FTBV10 • 1" (25) Slot
- FTBV15 • 1½" (38) Slot
- FTBV20 • 2" (51) Slot
- FTBV25 • 2½" (64) Slot
- FTBV30 • 3" (76) Slot

**Internally Insulated Models:**

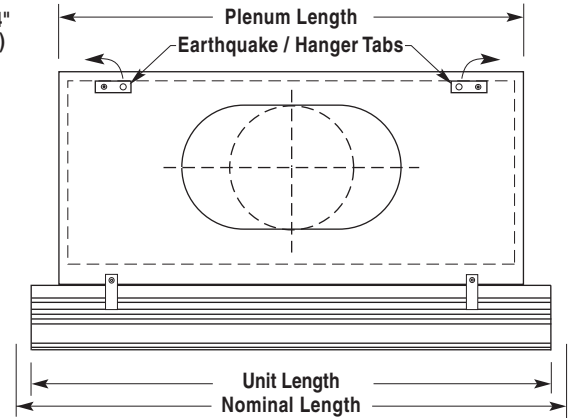
- FTBVI10 • 1" (25) Slot
- FTBVI15 • 1½" (38) Slot
- FTBVI20 • 2" (51) Slot
- FTBVI25 • 2½" (64) Slot
- FTBVI30 • 3" (76) Slot

Flowline™ FTBV Series  
 Lay-in T-Bar Unit



2 Slot  
 Frame / Border GGS  
 Straddle Mount

Standard frame / border type GG illustrated



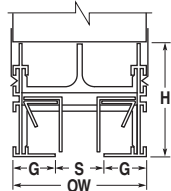
**Dimensional Data (Imperial Grids)**

Nominal Length	Unit Length	Plenum Length	Available Inlet Sizes	
			1 Slot	2 Slot
24 (610)	23 3/8 (594)	20 3/8 (518)	6(152), 8(203) Round	6(152), 8 (203), 10 (254), 12 (305), 14 (356) Flat Oval*
48 (1219)	47 3/8 (1203)	44 3/8 (1127)	10 (254), 12 (305), 14 (356) Flat Oval*	14 (356) Round

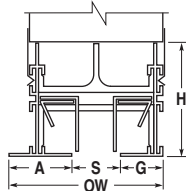
FTBV Series Model	1 Slot		2 Slot		
	W	OH	W	WS	OH
FTBV(I)10	2 3/4 (70)	12 3/8 (314)	5 3/16 (132)	6 1/16 (154)	18 3/8 (467)
FTBV(I)15	3 3/4 (95)	12 5/8 (321)	7 3/16 (183)	8 1/16 (205)	18 5/8 (473)
FTBV(I)20	4 3/4 (121)	12 7/8 (327)	9 3/16 (233)	10 1/16 (256)	18 7/8 (479)
FTBV(I)25	5 3/4 (146)	13 1/8 (333)	11 3/16 (284)	12 1/16 (306)	19 1/8 (486)
FTBV(I)30	6 3/4 (171)	13 3/8 (340)	13 3/16 (335)	14 1/16 (357)	19 3/8 (492)

**FTBV Series Border Types. One Slot Units.**

Type GG



Type AG



\* Equivalent Oval: 10" (254) = 11" x 7 7/8" (279 x 200);  
 12" (305) = 14 1/8" x 7 7/8" (359 x 200);  
 14" (356) = 17 5/16" x 7 7/8" (440 x 200).

**Dimensional Data - Imperial (Metric) Units**

FTBV Series Model	S Slot Width	A Border Width	G Border Width	H Height	OW Overall Width for Frame / Border Type	
					GG	AG
FTBV(I)10	1 (25)	1 9/32 (33)	7/8 (22)	2 3/8 (60)	2 3/4 (70)	3 5/32 (80)
FTBV(I)15	1 1/2 (38)	1 17/32 (39)	1 1/8 (29)	2 5/8 (67)	3 3/4 (95)	4 5/32 (106)
FTBV(I)20	2 (51)	1 25/32 (45)	1 3/8 (35)	2 7/8 (73)	4 3/4 (121)	5 5/32 (131)
FTBV(I)25	2 1/2 (64)	2 1/32 (52)	1 5/8 (41)	3 1/8 (79)	5 3/4 (146)	6 5/32 (156)
FTBV(I)30	3 (76)	2 9/32 (58)	1 7/8 (48)	3 3/8 (86)	6 3/4 (171)	7 5/32 (182)

**SCHEDULE TYPE**

**PROJECT**

**ENGINEER**

**CONTRACTOR**

**DATE**

**B SERIES**

**SUPERSEDES**

**DRAWING NO.**

12 - 21 - 16

FL

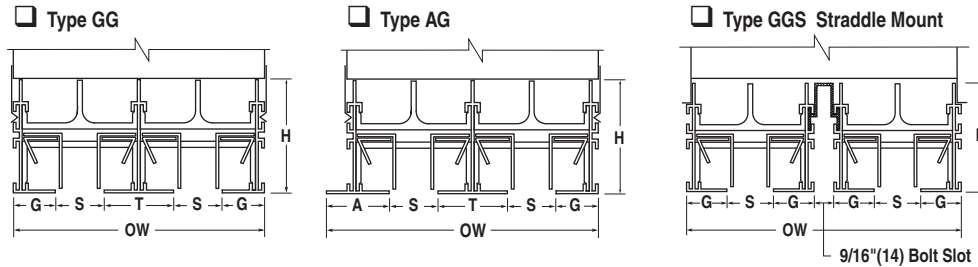
5 - 21 - 15

FTBV-1



**FLOWLINE™ LINEAR SLOT DIFFUSERS**  
 LAY-IN UNITS FOR BOLT SLOT (FINELINE TYPE) T-BAR  
 VERTICAL JET THROW PATTERN CONTROLLERS  
**MODEL SERIES: FTBV**

**FTBH Series Border Types. Two Slot Units.**

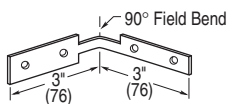


**Dimensional Data - Imperial (Metric) Units**

Model	S Slot Width	A Border Width	G Border Width	H Height	T 2 Slot	OW Overall Width for Frame / Border Type		
						GG	AG	GGs
FTBV(I)10	1 (25)	1 9/32 (33)	7/8 (22)	2 3/8 (60)	1 7/16 (37)	5 3/16 (132)	5 19/32 (142)	6 1/16 (154)
FTBV(I)15	1 1/2 (38)	1 17/32 (39)	1 1/8 (29)	2 5/8 (67)	1 15/16 (49)	7 3/16 (183)	7 19/32 (193)	8 1/16 (205)
FTBV(I)20	2 (51)	1 25/32 (45)	1 3/8 (35)	2 7/8 (73)	2 7/16 (62)	9 3/16 (233)	9 9/32 (244)	10 1/16 (256)
FTBV(I)25	2 1/2 (64)	2 1/32 (52)	1 5/8 (41)	3 1/8 (79)	2 15/16 (75)	11 3/16 (284)	11 19/32 (294)	12 1/16 (306)
FTBV(I)30	3 (76)	2 9/32 (58)	1 7/8 (48)	3 3/8 (86)	3 7/16 (87)	13 3/16 (335)	13 19/32 (345)	14 1/16 (357)

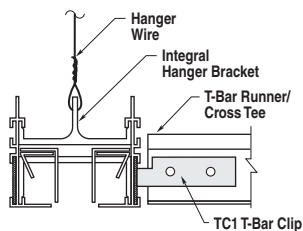
**Optional Mounting Hardware**

**TC1 T-Bar Clip (Field Formed)**

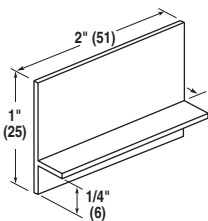


The TC1 T-Bar Clip is used to attach drop tees to the FlowLine™ assembly.

**Type GG Frame/ border illustrated**

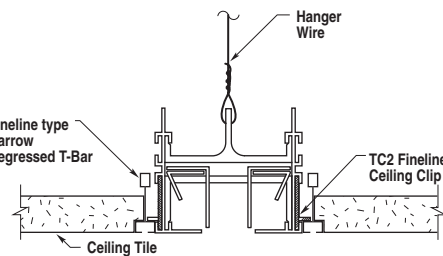


**TC2 Fineline T-Bar Clip**

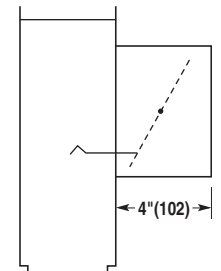


The TC2 Fineline T-Bar Clips are used to support and level the Flowline™ assembly in Bolt-Slot (Fineline type) suspension systems.

**Type GG Flangeless Frame**



**Optional ID Inlet Damper**



Face Operated

**Notes:**

- Material: Heavy duty extruded aluminum frame and spacers. Corrosion resistant steel pattern controllers and plenum.
- The FTBV Series are modular units complete with factory mounted engineered plenum for Bolt Slot (Fineline Type) T-Bar application. Units are supplied with flat end caps.
- Adjustable pattern controllers on 24" (610) centers.
- Standard finish is AW Appliance White baked enamel on exposed frames with black pattern controllers and interior surfaces.

**Options:**

SP Special Finish \_\_\_\_\_.

<b>SCHEDULE TYPE</b>	
<b>PROJECT</b>	
<b>ENGINEER</b>	
<b>CONTRACTOR</b>	

Page 2 of 2  
 Dimensions are in inches (mm).

DATE	B SERIES	SUPERSEDES	DRAWING NO.
12 - 21 - 16	FL	5 - 21 - 15	FTBV-1



**FLOWLINE™ LINEAR SLOT DIFFUSERS**  
 LAY-IN UNITS FOR FLAT T-BAR  
 HORIZONTAL HIGH THROW PATTERN CONTROLLERS  
**MODEL SERIES: FTH**

**Uninsulated Supply Models:**

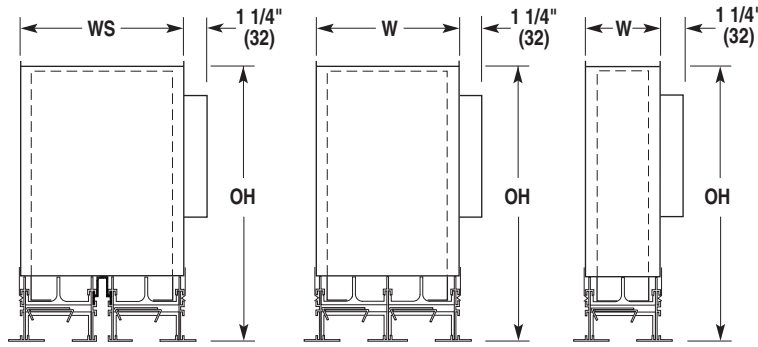
- FTH10 • 1" (25) Slot
- FTH15 • 1½" (38) Slot
- FTH20 • 2" (51) Slot
- FTH25 • 2½" (64) Slot
- FTH30 • 3" (76) Slot

**Internally Supply Insulated Models:**

- FTHI10 • 1" (25) Slot
- FTHI15 • 1½" (38) Slot
- FTHI20 • 2" (51) Slot
- FTHI25 • 2½" (64) Slot
- FTHI30 • 3" (76) Slot

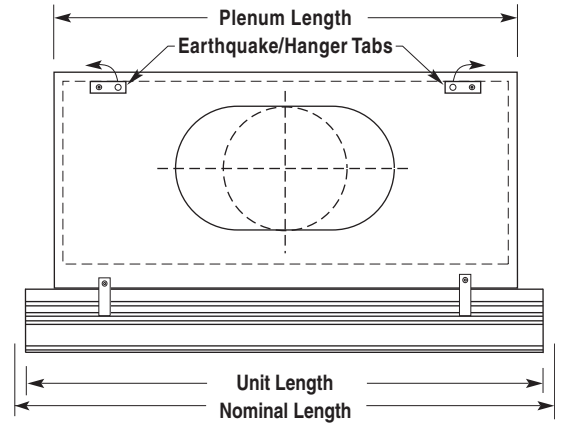
**Return Models: No Plenum**

- FTHR10 • 1" (25) Slot
- FTHR15 • 1 1/2" (38) Slot
- FTHR20 • 2" (51) Slot
- FTHR25 • 2 1/2" (64) Slot
- FTHR30 • 3" (76) Slot



Frame / Border Type AAS  
Straddle Mount

Standard Frame / Border Type AA illustrated

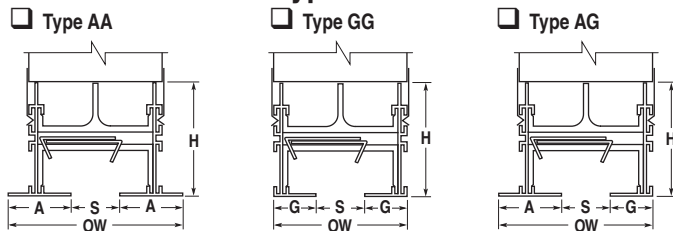


**Dimensional Data (Imperial Grids)**

Nominal Length	Unit Length	Plenum Length	Available Inlet Sizes	
			1 Slot	2 Slot
24 (610)	23 ¾ (603)	20 ¾ (527)	6(152), 8(203) Round	6(152), 8 (203),
48 (1219)	47 ¾ (1213)	44 ¾ (1137)	10 (254), 12 (305),	10 (254), 12 (305),
60 (1524)	59 ¾ (1518)	56 ¾ (1441)	14 (356) Flat Oval*	14 (356) Round

FTH Series Model	1 Slot		2 Slot		
	W	OH	W	WS	OH
FTH(I)10	2 ¾ (70)	12 ¾ (314)	5 ¾ (132)	6 ¼ (154)	18 ¾ (467)
FTH(I)15	3 ¾ (95)	12 ¾ (321)	7 ¾ (183)	8 ¼ (205)	18 ¾ (473)
FTH(I)20	4 ¾ (121)	12 ¾ (327)	9 ¾ (233)	10 ¼ (256)	18 ¾ (479)
FTH(I)25	5 ¾ (146)	13 ¾ (333)	11 ¾ (284)	12 ¼ (306)	19 ¼ (486)
FTH(I)30	6 ¾ (171)	13 ¾ (340)	13 ¾ (335)	14 ¼ (357)	19 ¾ (492)

**FTH Series Border Types. One Slot Units.**

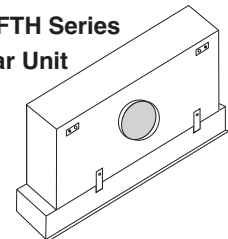


\* Equivalent Oval: 10" (254) = 11" x 7 7/8" (279 x 200);  
 12" (305) = 14 1/8" x 7 7/8" (359 x 200);  
 14" (356) = 17 5/16" x 7 7/8" (440 x 200).

**Dimensional Data - Imperial (Metric) Units**

FTH Series Model	S Slot Width	A Border Width	G Border Width	H Height	OW Overall Width for Frame / Border Type		
					AA	GG	AG
FTH(I)10, FTHR10	1 (25)	1 9/32 (33)	7/8 (22)	2 3/8 (60)	3 9/16 (90)	2 3/4 (70)	3 5/32 (80)
FTH(I)15, FTHR15	1 1/2 (38)	1 17/32 (39)	1 1/8 (29)	2 5/8 (67)	4 9/16 (116)	3 3/4 (95)	4 5/32 (106)
FTH(I)20, FTHR20	2 (51)	1 25/32 (45)	1 3/8 (35)	2 7/8 (73)	5 9/16 (141)	4 3/4 (121)	5 5/32 (131)
FTH(I)25, FTHR25	2 1/2 (64)	2 1/32 (52)	1 5/8 (41)	3 1/8 (79)	6 3/16 (167)	5 3/4 (146)	6 5/32 (156)
FTH(I)30, FTHR30	3 (76)	2 9/32 (58)	1 7/8 (48)	3 3/8 (86)	7 1/16 (192)	6 3/4 (171)	7 5/32 (182)

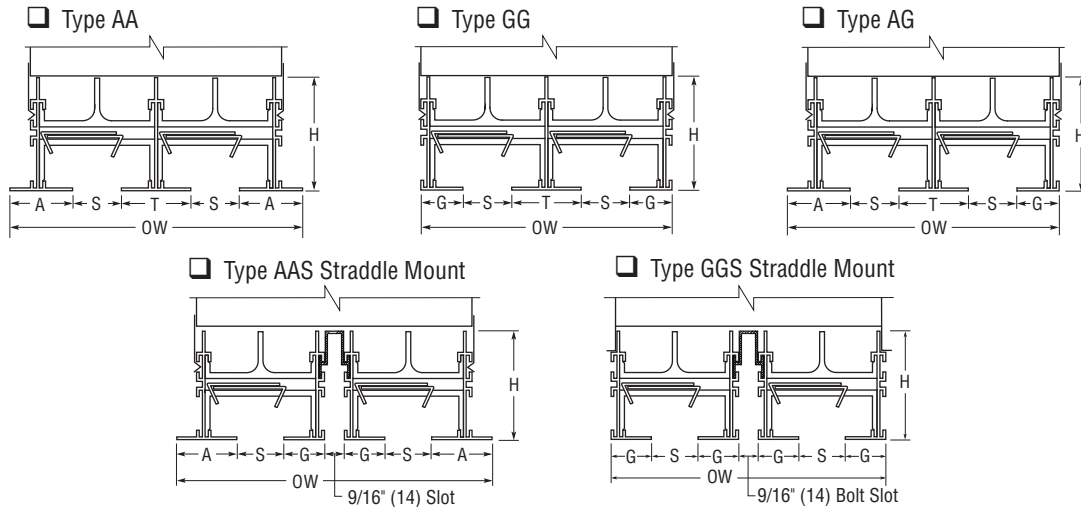
**Flowline™ FTH Series Lay-in T-Bar Unit**



Page 1 of 2  
 Dimensions are in inches (mm).

<b>SCHEDULE TYPE</b>			
<b>PROJECT</b>			
<b>ENGINEER</b>	<b>DATE</b>	<b>B SERIES</b>	<b>SUPERSEDES</b>
<b>CONTRACTOR</b>	6 - 17 - 16	FL	10 - 19 - 15
			<b>DRAWING NO.</b> FTH-1

**FTH Series Border Types. Two Slot Units.**

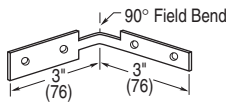


**Dimensional Data - Imperial (Metric) Units**

Model	S Slot Width	A Border Width	G Border Width	H Height	T 2 Slot	OW Overall Width for Frame / Border Type				
						AA	GG	AG	AAS	GGS
FTH(I)10, FTHR10	1 (25)	1 9/32 (33)	7/8 (22)	2 3/8 (60)	1 7/16 (37)	6 (152)	5 3/16 (132)	5 19/32 (142)	6 7/8 (175)	6 1/16 (154)
FTH(I)15, FTHR15	1 1/2 (38)	1 17/32 (39)	1 1/8 (29)	2 5/8 (67)	1 15/16 (49)	8 (203)	7 3/16 (183)	7 19/32 (193)	8 7/8 (225)	8 1/16 (205)
FTH(I)20, FTHR20	2 (51)	1 25/32 (45)	1 3/8 (35)	2 7/8 (73)	2 1/16 (62)	10 (254)	9 3/16 (233)	9 19/32 (244)	10 7/8 (276)	10 1/16 (256)
FTH(I)25, FTHR25	2 1/2 (64)	2 1/32 (52)	1 5/8 (41)	3 1/8 (79)	2 15/16 (75)	12 (305)	11 3/16 (284)	11 19/32 (294)	12 7/8 (327)	12 1/16 (306)
FTH(I)30, FTHR30	3 (76)	2 9/32 (58)	1 7/8 (48)	3 3/8 (86)	3 7/16 (87)	14 (356)	13 3/16 (335)	13 19/32 (345)	14 7/8 (378)	14 1/16 (357)

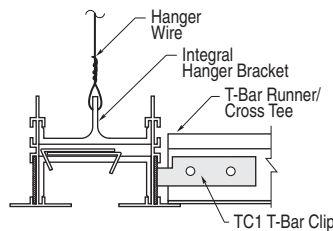
**Optional Mounting Hardware**

**TC1 T-Bar Clip (Field Formed)**

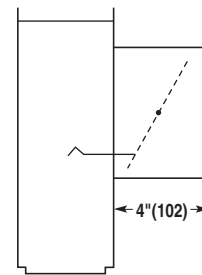


The TC1 T-Bar Clip is used to attach drop tees to the FlowLine™ assembly.

**Type AA Frame / border illustrated**



**Optional ID Inlet Damper**



Face Operated

**Notes:**

1. Material: Heavy duty extruded aluminum frame and spacers. Corrosion resistant steel pattern controllers and plenum.
2. The FTH Supply Series are modular units complete with factory mounted engineered plenum for lay-in T-Bar application. Units are supplied with flat end caps.
3. The FTHR Return Series are modular units for lay-in T-Bar application and will not include a plenum. Units are supplied with flat end caps.

4. Adjustable pattern controllers on 24" (610) centers.
5. Standard finish is AW Appliance White baked enamel on exposed frames with black pattern controllers and interior surfaces.

**Options:**

- SP Special Finish \_\_\_\_\_

**SCHEDULE TYPE**

**PROJECT**

**ENGINEER**

**CONTRACTOR**

Page 2 of 2  
 Dimensions are in inches (mm).

**DATE**

**B SERIES**

**SUPERSEDES**

**DRAWING NO.**

6 - 17 - 16

FL

10 - 19 - 15

FTH-1



**FLOWLINE™ LINEAR SLOT DIFFUSERS**  
**LAY-IN UNITS FOR FLAT T-BAR**  
**VERTICAL JET THROW PATTERN CONTROLLERS**  
**MODEL SERIES: FTV**

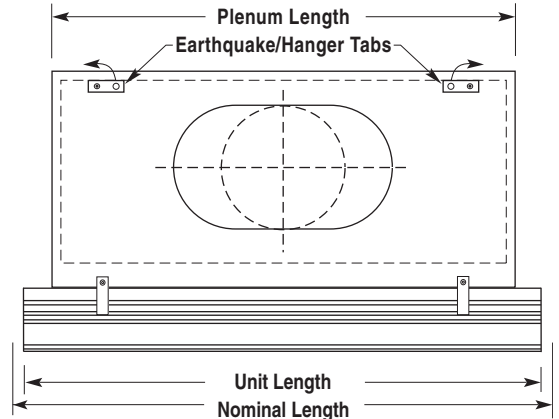
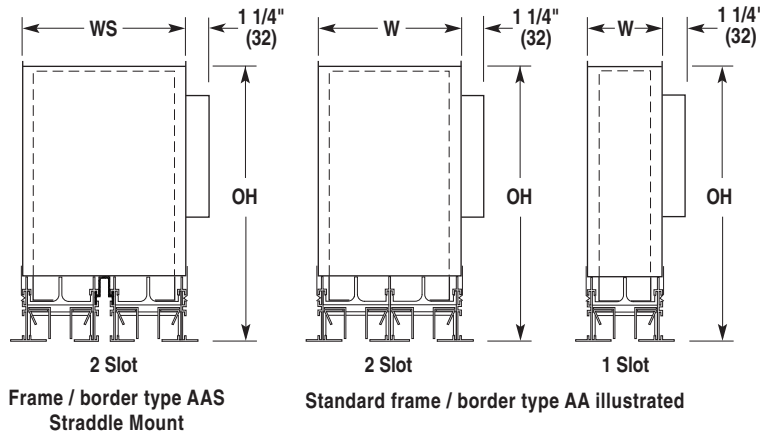
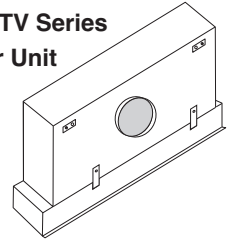
**Uninsulated Models:**

- FTV10 • 1" (25) Slot
- FTV15 • 1½" (38) Slot
- FTV20 • 2" (51) Slot
- FTV25 • 2½" (64) Slot
- FTV30 • 3" (76) Slot

**Internally Insulated Models:**

- FTVI10 • 1" (25) Slot
- FTVI15 • 1½" (38) Slot
- FTVI20 • 2" (51) Slot
- FTVI25 • 2½" (64) Slot
- FTVI30 • 3" (76) Slot

**Flowline™ FTV Series**  
**Lay-in T-Bar Unit**

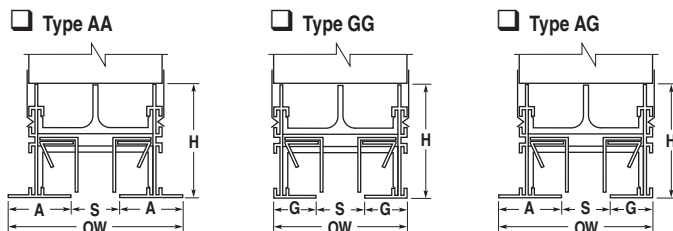


**Dimensional Data (Imperial Grids)**

Nominal Length	Unit Length	Plenum Length	Available Inlet Sizes	
			1 Slot	2 Slot
24 (610)	23 ¾ (603)	20 ¾ (527)	6(152), 8(203) Round	6(152), 8 (203),
48 (1219)	47 ¾ (1213)	44 ¾ (1137)	10 (254), 12 (305),	10 (254), 12 (305),
60 (1524)	59 ¾ (1518)	56 ¾ (1441)	14 (356) Flat Oval*	14 (356) Round

FTV Series Model	1 Slot		2 Slot		
	W	OH	W	WS	OH
FTV(I)10	2 ¾ (70)	12 ¾ (314)	5 ¾ (132)	6 ¼ (154)	18 ¾ (467)
FTV(I)15	3 ¾ (95)	12 ½ (321)	7 ¾ (183)	8 ¼ (205)	18 ½ (473)
FTV(I)20	4 ¾ (121)	12 ½ (327)	9 ¾ (233)	10 ¼ (256)	18 ¾ (479)
FTV(I)25	5 ¾ (146)	13 ½ (333)	11 ¾ (284)	12 ¼ (306)	19 ½ (486)
FTV(I)30	6 ¾ (171)	13 ¾ (340)	13 ¾ (335)	14 ¼ (357)	19 ¾ (492)

**FTV Series Border Types. One Slot Units.**



\* Equivalent Oval: 10" (254) = 11" x 7 7/8" (279 x 200);  
 12" (305) = 14 1/8" x 7 7/8" (359 x 200);  
 14" (356) = 17 5/16" x 7 7/8" (440 x 200).

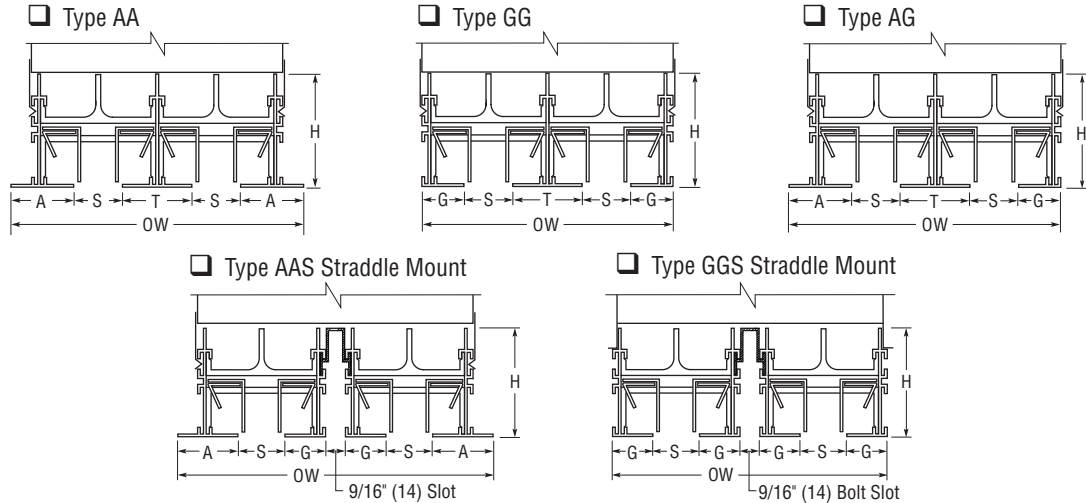
**Dimensional Data - Imperial (Metric) Units**

FTV Series Model	S Slot Width	A Border Width	G Border Width	H Height	OW Overall Width for Frame / Border Type		
					AA	GG	AG
FTV(I)10	1 (25)	1 ¾ (33)	7/8 (22)	2 ¾ (60)	3 9/16 (90)	2 ¾ (70)	3 5/32 (80)
FTV(I)15	1 ½ (38)	1 17/32 (39)	1 ½ (29)	2 5/8 (67)	4 9/16 (116)	3 ¾ (95)	4 5/32 (106)
FTV(I)20	2 (51)	1 25/32 (45)	1 3/8 (35)	2 7/8 (73)	5 9/16 (141)	4 ¾ (121)	5 5/32 (131)
FTV(I)25	2 ½ (64)	2 1/32 (52)	1 5/8 (41)	3 1/8 (79)	6 9/16 (167)	5 ¾ (146)	6 5/32 (156)
FTV(I)30	3 (76)	2 3/32 (58)	1 7/8 (48)	3 3/8 (86)	7 9/16 (192)	6 ¾ (171)	7 5/32 (182)

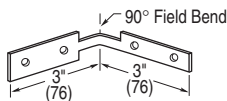
<b>SCHEDULE TYPE</b>	
<b>PROJECT</b>	
<b>ENGINEER</b>	
<b>CONTRACTOR</b>	

Page 1 of 2  
 Dimensions are in inches (mm).

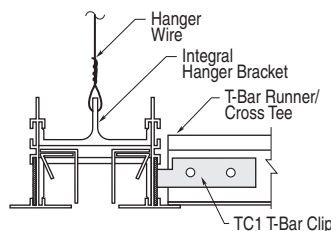
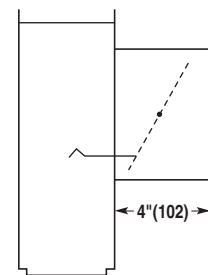
DATE	B SERIES	SUPERSEDES	DRAWING NO.
6 - 17 - 16	FL	10 - 19 - 15	FTV-1

**FTV Series Border Types. Two Slot Units.**

**Dimensional Data - Imperial (Metric) Units**

Model	S Slot Width	A Border Width	G Border Width	H Height	T 2 Slot	OW Overall Width for Frame / Border Type				
						AA	GG	AG	AAS	GGS
FTV(I)10	1 (25)	1 3/32 (33)	7/8 (22)	2 3/8 (60)	1 7/16 (37)	6 (152)	5 3/16 (132)	5 19/32 (142)	6 7/8 (175)	6 1/16 (154)
FTV(I)15	1 1/2 (38)	1 17/32 (39)	1 1/8 (29)	2 5/8 (67)	1 15/16 (49)	8 (203)	7 3/16 (183)	7 19/32 (193)	8 7/8 (225)	8 1/16 (205)
FTV(I)20	2 (51)	1 25/32 (45)	1 3/8 (35)	2 7/8 (73)	2 7/16 (62)	10 (254)	9 3/16 (233)	9 19/32 (244)	10 7/8 (276)	10 1/16 (256)
FTV(I)25	2 1/2 (64)	2 1/32 (52)	1 5/8 (41)	3 1/8 (79)	2 15/16 (75)	12 (305)	11 3/16 (284)	11 19/32 (294)	12 7/8 (327)	12 1/16 (306)
FTV(I)30	3 (76)	2 9/32 (58)	1 7/8 (48)	3 3/8 (86)	3 7/16 (87)	14 (356)	13 3/16 (335)	13 19/32 (345)	14 7/8 (378)	14 1/16 (357)

**Optional Mounting Hardware**
 **TC1 T-Bar Clip (Field Formed)**


The TC1 T-Bar Clip is used to attach drop tees to the FlowLine™ assembly.

**Type AA Frame / border illustrated**

 **Optional ID Inlet Damper**


Face Operated

**Notes:**

- Material: Heavy duty extruded aluminum frame and spacers. Corrosion resistant steel pattern controllers and plenum.
- The FTV Supply Series are modular units complete with factory mounted engineered plenum for lay-in T-Bar application. Units are supplied with flat end caps.
- Adjustable pattern controllers on 24" (610) centers.
- Standard finish is AW Appliance White baked enamel on exposed frames with black pattern controllers and interior surfaces.

**Options:**

- 
- SP Special Finish \_\_\_\_\_

**SCHEDULE TYPE**
**PROJECT**
**ENGINEER**
**CONTRACTOR**

 Page 2 of 2  
 Dimensions are in inches (mm).

**DATE**
**B SERIES**
**SUPERSEDES**
**DRAWING NO.**

6 - 17 - 16

FL

10 - 19 - 15

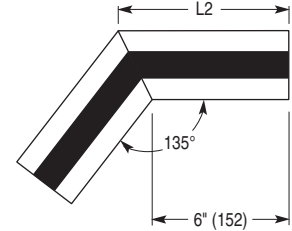
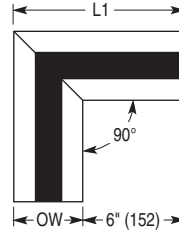
FTV-1



**Mitered Corners**

- FLMC10 • 1" (25) Slot
- FLMC15 • 1 1/2" (38) Slot
- FLMC20 • 2" (51) Slot
- FLMC25 • 2 1/2" (64) Slot
- FLMC30 • 3" (76) Slot

The standard mitered corners are 90° and 135°. Units are factory welded with precision to match and align with the associated straight leg.



Units are supplied with factory installed blank-offs in the slot (painted black) and are inactive. Other angles are available.

**Special Mitered Corners**

- Other Angle \_\_\_\_\_.

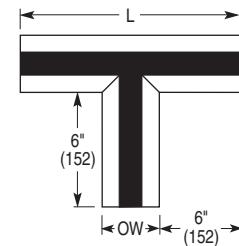
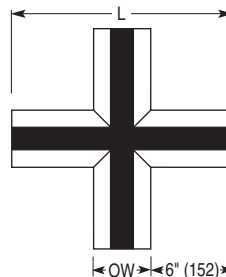
\*Available from 45 – 179° as SPL. (A detailed sketch is required for co-ordination with installing contractors).

No. of Slots	Slot Width	Border AA		Border CC		Border GG	
		L1	L2	L1	L2	L1	L2
1	1 (25)	9 9/16 (243)	7 15/32 (190)	10 3/8 (264)	7 13/16 (198)	8 11/16 (221)	7 1/8 (181)
	1 1/2 (38)	10 9/16 (268)	7 7/8 (200)	11 3/8 (289)	8 1/4 (209)	9 11/16 (246)	7 17/32 (191)
	2 (51)	11 9/16 (294)	8 5/16 (211)	12 3/8 (315)	8 5/8 (219)	10 11/16 (271)	7 15/16 (202)
	2 1/2 (64)	12 9/16 (319)	8 23/32 (221)	13 3/8 (340)	9 1/16 (230)	11 11/16 (297)	8 11/32 (212)
	3 (76)	13 9/16 (344)	9 1/8 (232)	14 3/8 (365)	9 1/2 (241)	12 11/16 (322)	8 3/4 (222)
	2	1 (25)	11 31/32 (304)	8 15/32 (215)	12 13/16 (325)	8 13/16 (224)	11 3/32 (282)
	1 1/2 (38)	13 31/32 (355)	9 5/16 (237)	14 13/16 (376)	9 5/8 (244)	13 3/32 (333)	8 29/32 (226)
	2 (51)	15 31/32 (406)	10 1/8 (257)	16 13/16 (427)	10 1/2 (267)	15 3/32 (383)	9 3/4 (248)
	2 1/2 (64)	17 31/32 (456)	10 31/32 (279)	18 13/16 (477)	11 5/16 (287)	17 3/32 (434)	10 9/16 (268)
	3 (76)	19 31/32 (507)	11 25/32 (299)	20 13/16 (529)	12 1/8 (308)	19 3/32 (485)	11 13/32 (290)

**Transitions**

**Type C Cross**

- FLC10 • 1" (25) Slot
- FLC15 • 1 1/2" (38) Slot
- FLC20 • 2" (51) Slot
- FLC25 • 2 1/2" (64) Slot
- FLC30 • 3" (76) Slot



**Type T Tee**

- FLT10 • 1" (25) Slot
- FLT15 • 1 1/2" (38) Slot
- FLT20 • 2" (51) Slot
- FLT25 • 2 1/2" (64) Slot
- FLT30 • 3" (76) Slot

Transitions are inactive. Blank-offs installed at factory. Not available in 2 slot version.

No. of Slots	Slot Width	Border AA		Border CC		Border GG	
		OW	L	OW	L	OW	L
1	1 (25)	3 9/16 (90)	15 9/16 (395)	4 3/8 (111)	16 3/8 (416)	2 3/4 (70)	14 11/16 (373)
	1 1/2 (38)	4 9/16 (116)	16 9/16 (421)	5 3/8 (137)	17 3/8 (442)	3 3/4 (95)	15 11/16 (398)
	2 (51)	5 9/16 (141)	17 9/16 (446)	6 3/8 (162)	18 3/8 (467)	4 3/4 (121)	16 11/16 (424)
	2 1/2 (64)	6 9/16 (167)	18 9/16 (471)	7 3/8 (188)	19 3/8 (493)	5 3/4 (146)	17 11/16 (449)
	3 (76)	7 9/16 (192)	19 9/16 (497)	8 3/8 (213)	20 3/8 (518)	6 3/4 (171)	18 11/16 (475)

**SCHEDULE TYPE**

**PROJECT**

**ENGINEER**

**CONTRACTOR**

Page 1 of 4  
 Dimensions are in inches (mm).

**DATE**

**B SERIES**

**SUPERSEDES**

**DRAWING NO.**

1 - 16 - 20

FL

11 - 6 - 17

FLAC-1



**FLOWLINE™ LINEAR SLOT DIFFUSERS**  
 ARCHITECTURAL • ALUMINUM  
 OPTIONS AND ACCESSORIES  
 MODEL SERIES: FLH AND FLV

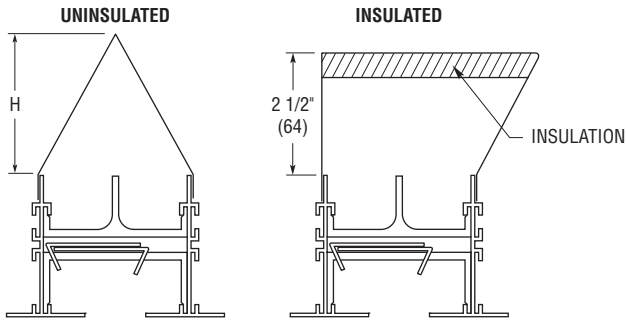
**Return Hood / Sight Shield**

**Uninsulated:**

- FLR10 • 1" (25) Slot
- FLR15 • 1 1/2" (38) Slot
- FLR20 • 2" (51) Slot
- FLR25 • 2 1/2" (64) Slot
- FLR30 • 3" (76) Slot

**Insulated:**

- FLRI10 • 1" (25) Slot
- FLRI15 • 1 1/2" (38) Slot
- FLRI20 • 2" (51) Slot
- FLR 25 • 2 1/2" (64) Slot
- FLRI 30 • 3" (76) Slot



No. of Slots	Slot Width	H Height
1	1 (25)	3 3/8 (86)
	1 1/2 (38)	3 3/8 (86)
	2 (51)	3 3/8 (86)
	2 1/2 (64)	3 3/8 (86)
	3 (76)	3 3/8 (86)
2	1 (25)	2 1/8 (54)
	1 1/2 (38)	3 1/8 (79)
	2 (51)	4 1/8 (105)
	2 1/2 (64)	5 1/8 (130)
	3 (76)	6 1/8 (156)

51% free area perforated corrosion resistant steel, painted flat black. Provided in 48" (1219) lengths. Field cut to length.

<b>SCHEDULE TYPE</b>
<b>PROJECT</b>
<b>ENGINEER</b>
<b>CONTRACTOR</b>

Page 2 of 4  
 Dimensions are in inches (mm).

DATE	B SERIES	SUPERSEDES	DRAWING NO.
1 - 16 - 20	FL	11 - 6 - 17	FLAC-1

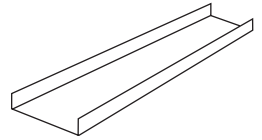


**FLOWLINE™ LINEAR SLOT DIFFUSERS**  
**ARCHITECTURAL • ALUMINUM**  
**OPTIONS AND ACCESSORIES**  
**MODEL SERIES: FLH AND FLV**

**Blank-Offs**

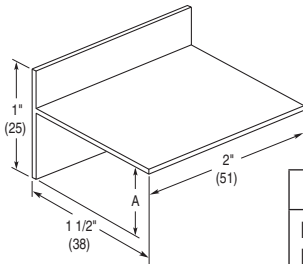
- FLBO10 • 1" (25) Slot
- FLBO15 • 1 1/2" (38) Slot
- FLBO20 • 2" (51) Slot
- FLBO25 • 2 1/2" (64) Slot
- FLBO30 • 3" (76) Slot

Corrosion resistant steel, painted flat black. Fits in neck of diffuser. Provided in 48" (1219) lengths. Field cut to length.



**Mounting Clips**

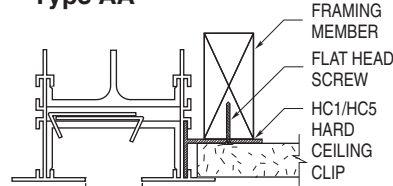
- HC1 Hard Ceiling Clip 5/8"
- HC5 Hard Ceiling Clip 1/2"



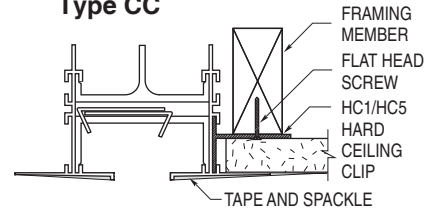
	A Dim.
HC1	5/8" (16)
HC5	1/2" (13)

The HC1 and HC5 Hard Ceiling Clip can be used to mount the FlowLine™ assembly with frame/border types AA, CC or GG, where 5/8" (16) or 1/2" (13) gypsum wallboard (drywall) is used.

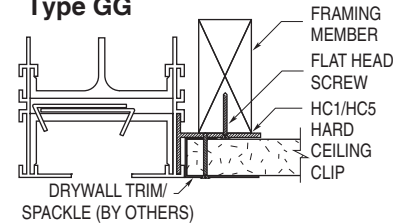
**Exposed Flange Frame Type AA**



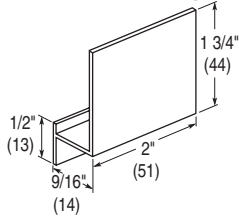
**Concealed Tapered Frame Type CC**



**Flangeless Flush Frame Type GG**

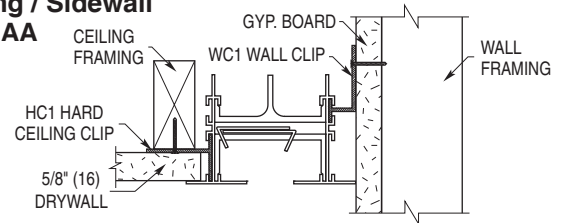


**WC1 Wall Clip**

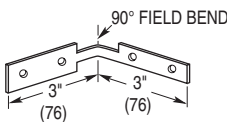


The WC1 WallClip is used to mount the FlowLine™ assembly with frame/border type AA flush to a wall.

**Ceiling / Sidewall Type AA**

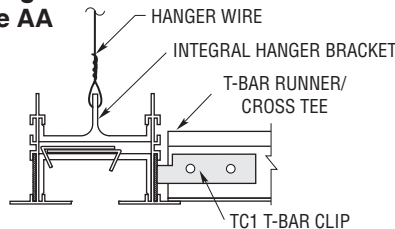


**TC1 T-Bar Clip (Field Formed)**

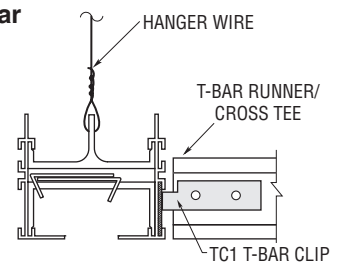


The TC1 T-Bar Clip is used to attach drop tees to the FlowLine™ assembly.

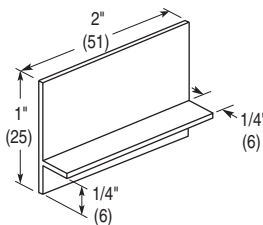
**Ceiling T-Bar Type AA**



**Ceiling T-Bar (Bolt Slot) Type GG**

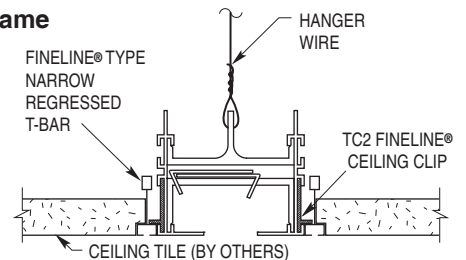


**TC2 Finline T-Bar Clip**



The TC2 Finline T-Bar Clips are used to support and level the Flowline™ assembly in Bolt-Slot (Finline type) suspension systems.

**Flangeless Frame Type GG**



SCHEDULE TYPE

PROJECT

ENGINEER

CONTRACTOR

Page 3 of 4  
 Dimensions are in inches (mm).

DATE

B SERIES

SUPERSEDES

DRAWING NO.

1 - 16 - 20

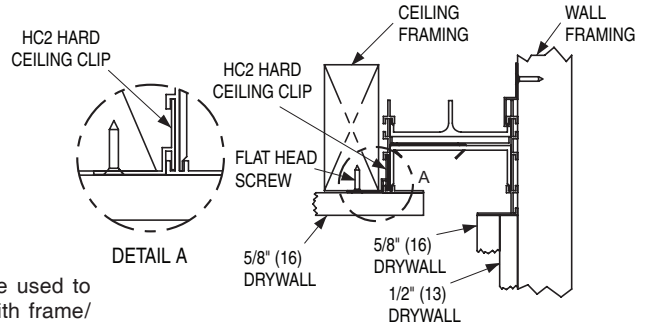
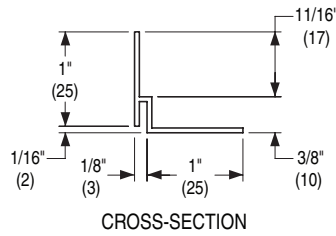
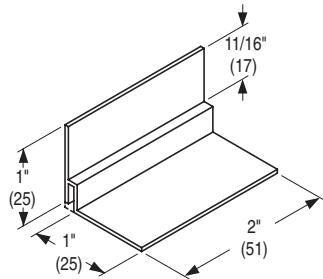
FL

11 - 6 - 17

FLAC-1

**Mounting Clips**

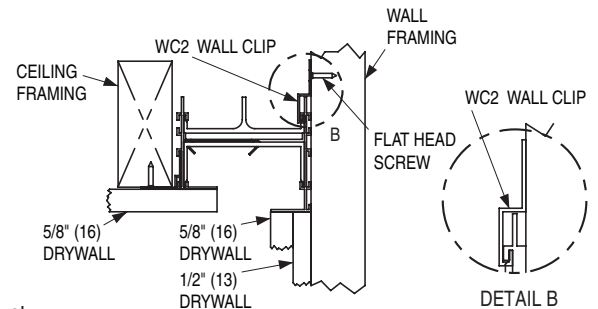
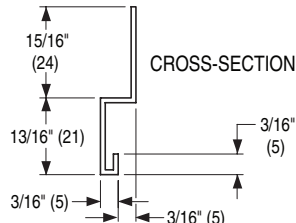
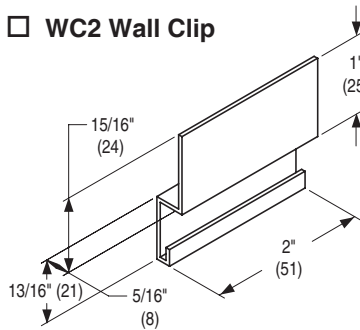
**HC2 Hard Ceiling Clip**



The HC2 Hard Ceiling Clip can be used to mount the FlowLine™ assembly with frame/border type **G**, where standard 5/8" (16) gypsum wallboard (drywall) is installed below the frame face.

**Flangeless Concealed Frame Type GJ**

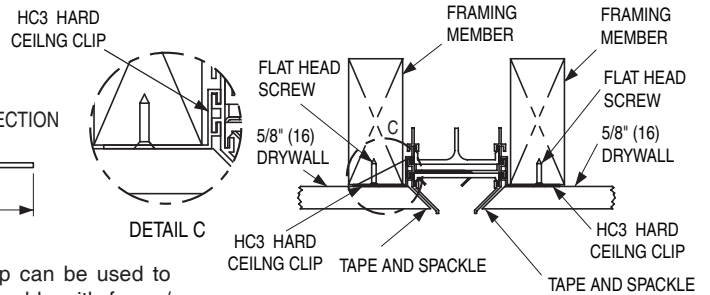
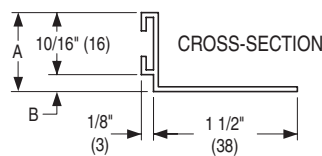
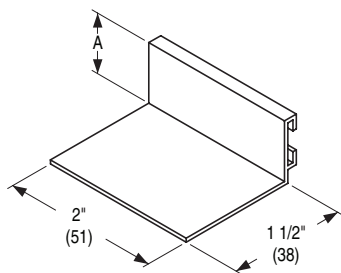
**WC2 Wall Clip**



The WC2 Wall Clip can be used to mount the FlowLine™ assembly with frame/border types **G** or **J**, flush to a wall.

**Flangeless Concealed Frame Type GJ**

**HC3 Hard Ceiling Clip for Type K Border**



The HC3 Hard Ceiling Clip can be used to mount the FlowLine™ assembly with frame/border type **K**, where standard 5/8" (16) gypsum wallboard (drywall) is used.

**Flangeless Concealed Frame Type KK**

Flowline	Part No.	A Dim.	B Dim.
FLH10	HC3-10	13/16 (21)	3/16 (5)
FLH15	HC3-15	1 1/16 (27)	7/16 (11)
FLH20	HC3-20	1 5/16 (33)	11/16 (17)

SCHEDULE TYPE

PROJECT

ENGINEER

CONTRACTOR

Page 4 of 4  
 Dimensions are in inches (mm).

DATE

B SERIES

SUPERSEDES

DRAWING NO.

1 - 16 - 20

FL

11 - 6 - 17

FLAC-1



**Nailor**<sup>®</sup>  
Industries Inc.

## STANDARD AND OPTIONAL FINISHES FOR GRILLES AND DIFFUSERS

Nailor offers a selection of standard colors and finishes available on our grilles, registers and diffusers. For painted finishes, our state-of-the-art paint systems provide environmentally friendly finishing solutions with uniform coverage and coating thickness. The result is an exceptionally durable finish that resists scratching, corrosion and general wear. Additional facilities for special requirements, as well as a selection of anodized or brushed finishes, complete our ability to provide unmatched beauty and durability for any application.

### NAILOR POWDER COAT PROPERTIES

FILM THICKNESS	2.0 to 3.0 mils
HARDNESS	2 H
IMPACT RESISTANCE	Direct: 160 inch - lbs. Reverse 160 inch - lbs.
SALT SPRAY	1000 hours

### ELECTROCOATING PROPERTIES

FILM THICKNESS	.8 to 1.2 mils
HARDNESS	HB TO H
IMPACT RESISTANCE	80 inch - lbs
SALT SPRAY	100 hours



### POWDER COAT

Nailor's powder coat is a high-tech thermosetting polyester powder coating with superior physical properties that provide excellent color and gloss retention. The finish offers extreme durability and hardness that resists scratching, chipping and general wear. Surface preparation includes degreasing and a chemical cleaning followed by a clean rinse before a final powder coat finish is applied and baked. The environmentally friendly Nailor powder coat system assures uniform coverage and color consistency resulting in a long lasting superior finish. Colors, including simulated anodizing, which is far more economical than color anodizing, can be selected from Nailor's standard color chart or non-standard colors and can be matched from sample chips provided to Nailor.

### ELECTROCOATING

E-Coat is an environmentally friendly coating that provides complete coverage and a wide range of performance properties, formulated to meet corrosion, durability and other performance specifications. Electrocoating is a highly automated process in which paint is electrically deposited onto a metal foundation. Film build thickness is uniform and overall application efficiencies are in excess of 90%. Paint is consistent on all part-to-part surfaces, preventing sags, runs or drips. E-Coat offers flexibility, better first yield pass and quicker production times compared to other forms of paint applications. Electrocoating is an excellent solution that offers superior properties and uniform finish.

### CLEAR ANODIZING (Aluminum products only)

Clear anodizing is a clear oxide coating that exemplifies an aluminum surface's natural oxide coating producing a hard, scratch resistant surface that is resistant to general wear and mild chemicals. The process provides a natural looking, virtually maintenance free finish that will endure for many years.

### COLOR ANODIZING (Aluminum products only)

Color anodizing is an electrolytic process where, after standard anodizing procedures, colored metallic pigments penetrate the oxide surface pores producing a corrosion resistant, colorfast finish. The process results in a natural metallic appearance that requires little maintenance.

### BRUSHED AND CLEAR COAT

Available on specific aluminum products (consult applicable product page for availability). Surface is brushed to achieve a scratch finish texture before being degreased and chemically cleaned. A clear lacquer coating is then applied to provide a durable protective finish.

### #4 BRUSHED SATIN POLISHED (Stainless Steel products only)

Surface is polished to ASTM A480 #4 standard to achieve a bright durable finish that is resistant to mild chemicals and corrosion. A final coating is not required due to the inherent anti-corrosion properties of the stainless steel.

### PRIME COAT

Prime coat provides a stable base for painting in the field. Surface pretreatment includes degreasing and a chemical cleaning before an alkyd prime coat is applied. After a thorough cleaning for dust, etc. that can contaminate the final finish and cause premature flaking or peeling, finish coat should be field applied as soon as possible.

### PAINT PREPARED ALUMINUM (Aluminum products only)

Allows for field applied paint. Surface preparation includes degreasing and a chemical cleaning followed by a clean rinse. Finish coat should be field applied as soon as possible.

### MILL FINISH

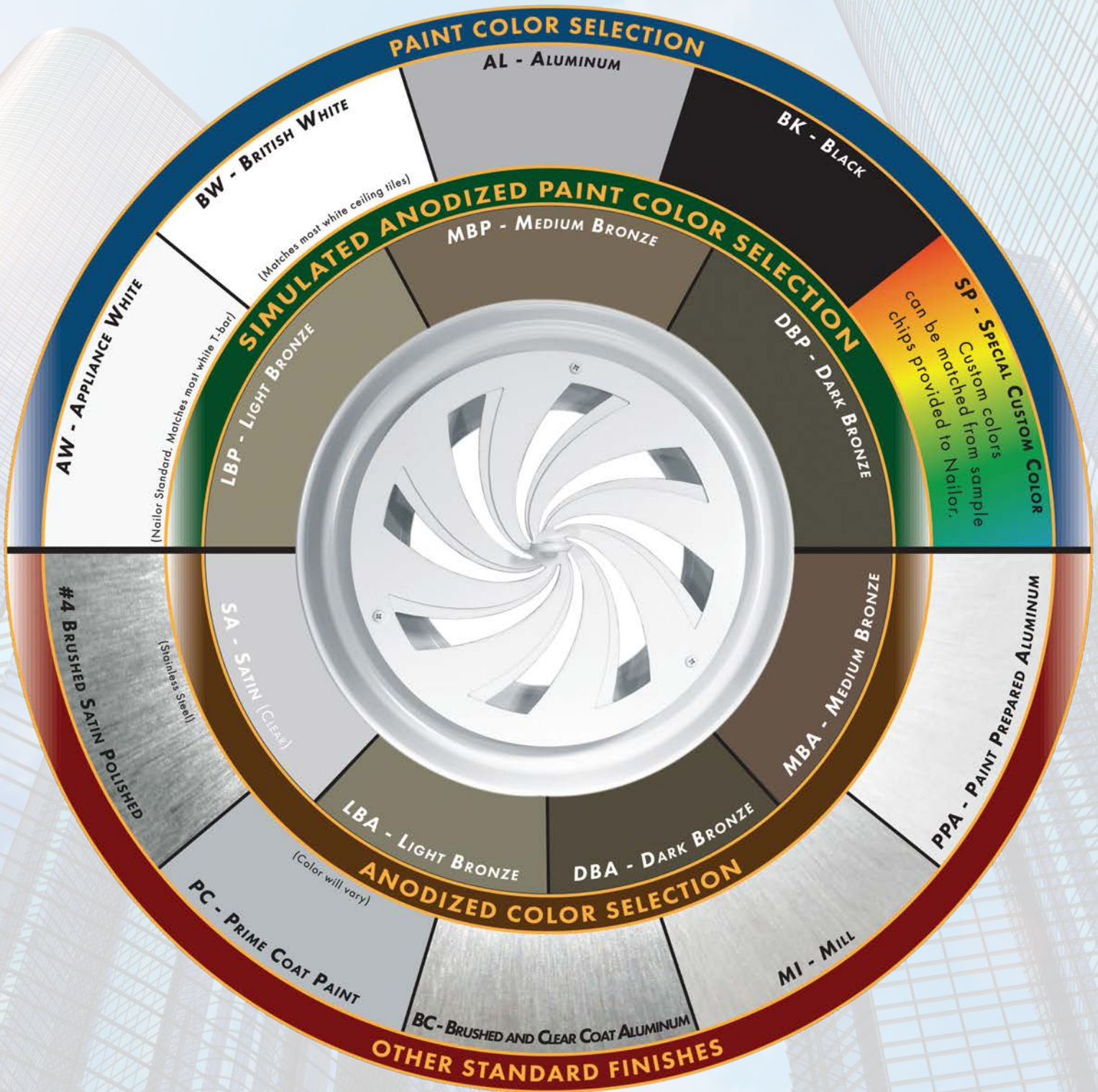
Surface is left untreated and requires cleaning, degreasing, etc. in the field before final finish can be applied if required.



**Nailor**<sup>®</sup>  
Industries Inc.

## STANDARD AND OPTIONAL FINISHES FOR GRILLES AND DIFFUSERS

The following standard colors and finishes are available on applicable Nailor air distribution products. Consult individual product pages for availability



The pictured finishes have been represented as best as possible within printing limitations. However, actual finish may vary. Contact your Nailor representative for a color chip sample on the material specified for a more accurate representation.

**DBK** - Black (for registers ordered with factory mounted dampers) - **BA** - Perforated Diffusers (4300 series only) Appliance White (AW) face with black back pan and pattern controllers.

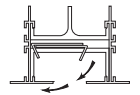
"Complete Air Control and Distribution Solutions."

WGDSOF2015

[www.nailor.com](http://www.nailor.com)

**PERFORMANCE DATA • HORIZONTAL HIGH THROW SERIES**

**MODELS: FLH / FTH (10 &15) • 1 SLOT WITH NAILOR PLENUM**



**A**

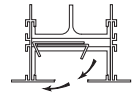
**FLOWLINE™ LINEAR DIFFUSERS**

<b>1" Slot Width</b>	<b>1 Slot 6" Dia. Inlet</b>	<b>2 Ft.</b>	Airflow, CFM	25	50	75	100	125	150	175
			Total Pressure	.008	.034	.075	.132	.206	.297	.040
			Static Pressure	.007	.030	.065	.115	.180	.260	.350
			Noise Criteria	<15	<15	<15	20	29	36	40
			Throw	1-2-5	3-6-9	5-9-12	7-10-13	8-10-14	9-11-16	10-12-18
		<b>4 Ft.</b>	Airflow, CFM	40	80	120	160	200	240	280
			Total Pressure	.009	.031	.066	.117	.180	.264	.352
			Static Pressure	.006	.020	.042	.075	.115	.170	.225
			Noise Criteria	<15	<15	<15	17	25	32	38
			Throw	1-2-5	3-6-12	5-9-15	8-12-17	10-12-18	12-15-20	13-16-22
		<b>5 Ft.</b>	Airflow, CFM	50	100	150	200	250	300	350
			Total Pressure	.009	.036	.079	.140	.217	.316	.424
			Static Pressure	.005	.020	.042	.075	.115	.170	.225
			Noise Criteria	<15	<15	<15	18	26	33	38
			Throw	1-2-7	3-7-13	8-10-17	10-13-19	12-15-20	14-16-22	15-17-24
<b>1" Slot Width</b>	<b>1 Slot 8" Dia. Inlet</b>	<b>2 Ft.</b>	Airflow, CFM	50	75	100	125	150	175	200
			Total Pressure	.029	.068	.119	.188	.272	.358	.471
			Static Pressure	.028	.065	.114	.180	.260	.342	.450
			Noise Criteria	<15	<15	20	28	35	41	44
			Throw	2-5-9	5-9-11	7-10-14	8-11-15	9-12-18	10-12-19	11-13-20
		<b>4 Ft.</b>	Airflow, CFM	70	110	150	190	230	270	310
			Total Pressure	.016	.040	.075	.120	.176	.242	.319
			Static Pressure	.014	.034	.063	.101	.149	.205	.270
			Noise Criteria	<15	<15	<15	23	30	36	41
			Throw	2-4-10	6-8-14	7-11-17	9-13-19	10-15-22	13-16-24	15-18-26
		<b>5 Ft.</b>	Airflow, CFM	80	130	180	230	280	330	380
			Total Pressure	.007	.025	.056	.093	.142	.206	.283
			Static Pressure	.006	.020	.044	.072	.110	.160	.220
			Noise Criteria	<15	<15	<15	23	29	35	40
			Throw	2-5-11	6-9-15	8-12-18	9-14-20	11-15-22	13-17-24	14-18-26
<b>1.5" Slot Width</b>	<b>1 Slot 6" Dia. Inlet</b>	<b>2 Ft.</b>	Airflow, CFM	30	60	90	120	150	180	210
			Total Pressure	.002	.038	.088	.148	.246	.367	.471
			Static Pressure	.001	.032	.075	.125	.210	.315	.400
			Noise Criteria	<15	<15	<15	22	31	39	44
			Throw	1-4-7	4-7-11	6-9-13	8-10-15	10-13-17	11-14-19	12-15-20
		<b>4 Ft.</b>	Airflow, CFM	70	110	150	190	230	270	310
			Total Pressure	.021	.045	.089	.148	.206	.288	.376
			Static Pressure	.013	.025	.052	.089	.120	.170	.220
			Noise Criteria	<15	<15	<15	20	24	30	36
			Throw	2-5-11	5-8-15	8-12-17	10-13-19	12-15-20	13-16-21	14-17-23
		<b>5 Ft.</b>	Airflow, CFM	85	135	185	235	285	335	385
			Total Pressure	.013	.055	.101	.165	.247	.342	.440
			Static Pressure	.001	.025	.045	.075	.115	.160	.200
			Noise Criteria	<15	<15	<15	20	26	31	37
			Throw	2-5-11	5-19-15	8-13-18	11-15-21	12-17-23	14-18-25	15-20-27
<b>1.5" Slot Width</b>	<b>1 Slot 8" Dia. Inlet</b>	<b>2 Ft.</b>	Airflow, CFM	30	60	90	120	150	180	210
			Total Pressure	.002	.032	.076	.128	.222	.317	.428
			Static Pressure	.001	.030	.072	.120	.210	.300	.405
			Noise Criteria	<15	<15	<15	23	31	40	44
			Throw	1-4-7	4-7-11	7-9-13	8-12-15	10-13-17	11-14-18	12-15-19
		<b>4 Ft.</b>	Airflow, CFM	70	120	170	220	270	320	370
			Total Pressure	.015	.035	.075	.125	.207	.272	.380
			Static Pressure	.012	.027	.060	.100	.170	.220	.310
			Noise Criteria	<15	<15	<15	22	30	36	44
			Throw	2-5-11	6-9-15	9-13-18	12-15-21	14-17-23	15-19-25	16-20-26
		<b>5 Ft.</b>	Airflow, CFM	85	145	205	265	325	385	445
			Total Pressure	.016	.041	.084	.131	.204	.276	.401
			Static Pressure	.012	.03	.062	.095	.150	.200	.300
			Noise Criteria	<15	<15	<15	23	30	36	43
			Throw	2-5-11	6-10-16	9-13-20	12-17-23	15-19-25	16-20-27	17-21-29
<b>1.5" Slot Width</b>	<b>1 Slot 10" Dia. Inlet</b>	<b>2 Ft.</b>	Airflow, CFM	30	60	90	120	150	180	210
			Total Pressure	.002	.027	.065	.109	.189	.269	.364
			Static Pressure	.002	.026	.063	.106	.184	.263	.355
			Noise Criteria	<15	<15	<15	20	28	37	41
			Throw	1-4-7	4-7-11	7-9-13	8-12-15	10-13-17	11-14-18	12-15-19
		<b>4 Ft.</b>	Airflow, CFM	70	120	170	220	270	320	370
			Total Pressure	.013	.030	.064	.106	.176	.231	.323
			Static Pressure	.012	.027	.058	.096	.161	.210	.294
			Noise Criteria	<15	<15	<15	19	27	33	41
			Throw	2-5-11	6-9-15	9-13-18	12-15-21	14-17-23	15-19-25	16-20-26
		<b>5 Ft.</b>	Airflow, CFM	85	145	205	265	325	385	445
			Total Pressure	.014	.035	.071	.111	.173	.235	.341
			Static Pressure	.012	.030	.063	.097	.151	.204	.299
			Noise Criteria	<15	<15	<15	20	27	33	40
			Throw	2-5-11	6-10-16	9-13-20	12-17-23	15-19-25	16-20-27	17-21-29

For performance table notes, see page A37.

**PERFORMANCE DATA • HORIZONTAL HIGH THROW SERIES**

**MODELS: FLH / FTH (20 & 25) • 1 SLOT WITH NAILOR PLENUM**



**FLOWLINE™ LINEAR DIFFUSERS**

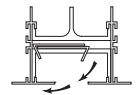
<b>2" Slot Width</b>	<b>1 Slot 8" Dia. Inlet</b>	<b>2 Ft.</b>	Airflow, CFM	<b>40</b>	<b>80</b>	<b>120</b>	<b>160</b>	<b>200</b>	<b>240</b>	<b>280</b>
			Total Pressure	.007	.028	.065	.115	.180	.259	.352
			Static Pressure	.006	.025	.057	.102	.159	.229	.312
			Noise Criteria	<15	<15	<15	17	26	31	38
			Throw	1-3-8	5-8-13	7-10-15	10-13-17	11-14-19	12-15-22	13-16-23
		<b>4 Ft.</b>	Airflow, CFM	<b>100</b>	<b>150</b>	<b>200</b>	<b>250</b>	<b>300</b>	<b>350</b>	<b>400</b>
			Total Pressure	.015	.034	.040	.094	.136	.185	.241
			Static Pressure	.010	.022	.040	.062	.089	.122	.159
			Noise Criteria	<15	<15	<15	15	22	30	37
			Throw	3-4-11	6-9-14	8-12-17	9-13-19	12-14-23	14-25-27	15-17-28
		<b>5 Ft.</b>	Airflow, CFM	<b>125</b>	<b>180</b>	<b>235</b>	<b>290</b>	<b>345</b>	<b>400</b>	<b>455</b>
			Total Pressure	.180	.037	.064	.097	.137	.184	.238
			Static Pressure	.010	.021	.035	.535	.076	.102	.132
			Noise Criteria	<15	<15	<15	22	29	34	39
			Throw	3-6-12	8-12-17	9-13-19	12-14-23	14-13-26	16-18-28	17-21-30
<b>2" Slot Width</b>	<b>1 Slot 12" Oval Inlet</b>	<b>2 Ft.</b>	Airflow, CFM	<b>50</b>	<b>100</b>	<b>150</b>	<b>200</b>	<b>250</b>	<b>300</b>	<b>350</b>
			Total Pressure	.007	.028	.064	.113	.177	.254	.346
			Static Pressure	.007	.027	.060	.108	.168	.242	.329
			Noise Criteria	<15	<15	<15	17	24	29	37
			Throw	2-5-10	5-8-12	6-10-14	8-12-17	9-13-19	10-14-22	13-16-25
		<b>4 Ft.</b>	Airflow, CFM	<b>100</b>	<b>170</b>	<b>240</b>	<b>310</b>	<b>380</b>	<b>450</b>	<b>520</b>
			Total Pressure	.008	.023	.045	.076	.114	.169	.213
			Static Pressure	.065	.019	.038	.063	.094	.132	.176
			Noise Criteria	<15	<15	<15	20	27	33	39
			Throw	3-6-12	7-11-15	9-13-19	11-15-23	14-17-27	15-19-30	16-21-34
		<b>5 Ft.</b>	Airflow, CFM	<b>125</b>	<b>205</b>	<b>285</b>	<b>365</b>	<b>445</b>	<b>525</b>	<b>605</b>
			Total Pressure	.009	.023	.045	.074	.109	.152	.202
			Static Pressure	.007	.018	.034	.056	.083	.115	.153
			Noise Criteria	<15	<15	<15	23	31	36	41
			Throw	3-7-15	7-11-19	10-14-24	13-16-25	15-19-30	16-21-32	21-25-34
<b>2.5" Slot Width</b>	<b>1 Slot 10" Oval Inlet</b>	<b>2 Ft.</b>	Airflow, CFM	<b>100</b>	<b>145</b>	<b>190</b>	<b>235</b>	<b>280</b>	<b>325</b>	<b>370</b>
			Total Pressure	.024	.05	.085	.131	.186	.25	.324
			Static Pressure	.045	.045	.077	.117	.167	.224	.291
			Noise Criteria	<15	<15	<15	22	29	35	40
			Throw	4-9-11	6-19-13	8-12-17	10-14-18	12-16-22	13-17-24	14-18-26
		<b>4 Ft.</b>	Airflow, CFM	<b>140</b>	<b>220</b>	<b>300</b>	<b>380</b>	<b>460</b>	<b>540</b>	<b>620</b>
			Total Pressure	.015	.037	.069	.111	.163	.225	.296
			Static Pressure	.010	.026	.048	.077	.112	.155	.204
			Noise Criteria	<15	<15	<15	25	33	40	45
			Throw	5-8-17	10-14-22	12-16-25	14-17-28	16-19-31	19-22-33	21-24-35
		<b>5 Ft.</b>	Airflow, CFM	<b>150</b>	<b>240</b>	<b>330</b>	<b>420</b>	<b>510</b>	<b>600</b>	<b>690</b>
			Total Pressure	.013	.034	.063	.103	.151	.209	.277
			Static Pressure	.002	.020	.037	.060	.088	.122	.162
			Noise Criteria	<15	<15	<15	23	31	38	43
			Throw	3-8-16	8-12-21	12-15-25	15-18-29	17-21-32	19-23-35	21-27-38
<b>2.5" Slot Width</b>	<b>1 Slot 12" Oval Inlet</b>	<b>2 Ft.</b>	Airflow, CFM	<b>100</b>	<b>145</b>	<b>190</b>	<b>235</b>	<b>280</b>	<b>325</b>	<b>370</b>
			Total Pressure	.021	.043	.074	.114	.161	.217	.282
			Static Pressure	.019	.041	.070	.106	.151	.204	.264
			Noise Criteria	<15	<15	<15	20	27	33	38
			Throw	4-9-11	6-19-13	8-12-17	10-14-18	12-16-22	13-17-24	14-18-26
		<b>4 Ft.</b>	Airflow, CFM	<b>140</b>	<b>225</b>	<b>310</b>	<b>395</b>	<b>480</b>	<b>565</b>	<b>650</b>
			Total Pressure	.012	.031	.059	.096	.142	.197	.261
			Static Pressure	.009	.024	.046	.075	.111	.154	.204
			Noise Criteria	<15	<15	15	23	31	38	43
			Throw	5-8-17	10-14-22	12-16-25	14-17-29	17-20-32	20-23-34	22-26-37
		<b>5 Ft.</b>	Airflow, CFM	<b>150</b>	<b>250</b>	<b>350</b>	<b>450</b>	<b>550</b>	<b>650</b>	<b>750</b>
			Total Pressure	.010	.028	.054	.090	.134	.188	.250
			Static Pressure	.007	.019	.038	.063	.094	.131	.174
			Noise Criteria	<15	<15	16	26	34	40	46
			Throw	3-8-16	8-12-21	13-16-26	16-19-31	18-22-33	20-25-37	22-28-39

For performance table notes, see page A37.



**PERFORMANCE DATA • HORIZONTAL HIGH THROW SERIES**

**MODELS: FLH30 AND FTH30 • 1 SLOT WITH NAILOR PLENUM**



**A**

**FLOWLINE™ LINEAR DIFFUSERS**

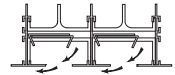
<b>3" Slot Width</b>	<b>1 Slot 10" Oval Inlet</b>	<b>2 Ft.</b>	Airflow, CFM	125	170	215	260	305	350	395
			Total Pressure	.030	.056	.089	.131	.180	.237	.302
			Static Pressure	.027	.049	.078	.115	.158	.208	.265
			Noise Criteria	<15	<15	<15	24	29	35	40
		Throw	7-11-16	9-13-19	11-15-21	13-17-23	15-18-25	16-19-28	17-20-31	
		<b>4 Ft.</b>	Airflow, CFM	200	275	350	425	500	575	650
	Total Pressure		.027	.050	.081	.120	.166	.220	.281	
	Static Pressure		.017	.032	.052	.076	.106	.140	.179	
	Noise Criteria		<15	<15	18	22	28	34	40	
	<b>5 Ft.</b>	Airflow, CFM	220	310	400	490	580	670	760	
		Total Pressure	.025	.040	.082	.123	.172	.230	.296	
		Static Pressure	.013	.026	.043	.065	.091	.122	.157	
Noise Criteria		<15	<15	16	24	32	39	45		
<b>3" Slot Width</b>	<b>1 Slot 12" Oval Inlet</b>	<b>2 Ft.</b>	Airflow, CFM	125	170	215	260	305	350	395
			Total Pressure	.029	.053	.085	.124	.170	.224	.286
			Static Pressure	.026	.049	.078	.115	.158	.208	.265
			Noise Criteria	<15	<15	<15	18	25	31	36
		Throw	7-11-16	9-13-19	11-15-21	13-17-23	15-18-25	16-19-28	17-20-31	
		<b>4 Ft.</b>	Airflow, CFM	200	290	380	470	560	650	740
	Total Pressure		.022	.047	.081	.123	.175	.236	.306	
	Static Pressure		.017	.036	.061	.094	.133	.179	.232	
	Noise Criteria		<15	<15	<15	22	29	36	41	
	<b>5 Ft.</b>	Airflow, CFM	220	330	440	550	660	770	880	
		Total Pressure	.020	.044	.079	.123	.177	.241	.315	
		Static Pressure	.013	.030	.053	.082	.118	.161	.210	
Noise Criteria		<15	<15	19	26	32	39	43		
<b>3" Slot Width</b>	<b>1 Slot 10" Oval Inlet</b>	<b>2 Ft.</b>	Airflow, CFM	125	170	215	260	305	350	395
			Total Pressure	.030	.056	.089	.131	.180	.237	.302
			Static Pressure	.027	.049	.078	.115	.158	.208	.265
			Noise Criteria	<15	<15	<15	24	29	35	40
		Throw	7-11-16	9-13-19	11-15-21	13-17-23	15-18-25	16-19-28	17-20-31	
		<b>4 Ft.</b>	Airflow, CFM	200	275	350	425	500	575	650
	Total Pressure		.027	.050	.081	.120	.166	.220	.281	
	Static Pressure		.017	.032	.052	.076	.106	.140	.179	
	Noise Criteria		<15	<15	18	22	28	34	40	
	<b>5 Ft.</b>	Airflow, CFM	220	310	400	490	580	670	760	
		Total Pressure	.025	.040	.082	.123	.172	.230	.296	
		Static Pressure	.013	.026	.043	.065	.091	.122	.157	
Noise Criteria		<15	<15	16	24	32	39	45		
<b>3" Slot Width</b>	<b>1 Slot 12" Oval Inlet</b>	<b>2 Ft.</b>	Airflow, CFM	125	170	215	260	305	350	395
			Total Pressure	.029	.053	.085	.124	.170	.224	.286
			Static Pressure	.026	.049	.078	.115	.158	.208	.265
			Noise Criteria	<15	<15	<15	18	25	31	36
		Throw	7-11-16	9-13-19	11-15-21	13-17-23	15-18-25	16-19-28	17-20-31	
		<b>4 Ft.</b>	Airflow, CFM	200	290	380	470	560	650	740
	Total Pressure		.022	.047	.081	.123	.175	.236	.306	
	Static Pressure		.017	.036	.061	.094	.133	.179	.232	
	Noise Criteria		<15	<15	<15	22	29	36	41	
	<b>5 Ft.</b>	Airflow, CFM	220	330	440	550	660	770	880	
		Total Pressure	.020	.044	.079	.123	.177	.241	.315	
		Static Pressure	.013	.030	.053	.082	.118	.161	.210	
Noise Criteria		<15	<15	19	26	32	39	43		

**Performance Notes:**

1. Data is based upon FlowLine™ with Nailor engineered plenum (uninsulated) as a complete assembly.
2. All pressures are in inches w.g..
3. Throw values are given at 150, 100 and 50 fpm terminal velocities under isothermal conditions.
4. Noise criteria values are based on 10 dB room absorption, re 10<sup>-12</sup> watts.
5. Throw values are based on a 1-way air pattern. For 2-way pattern, throw is determined from the 1 slot data at half the specified air volume.
6. Data derived from tests conducted in accordance with ANSI/ASHRAE Standard 70-2006.

**PERFORMANCE DATA • HORIZONTAL HIGH THROW SERIES**

**MODELS: FLH / FTH (10 & 15) • 2 SLOT WITH NAILOR PLENUM**



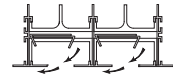
**FLOWLINE™ LINEAR DIFFUSERS**

<b>1" Slot Width</b>	<b>2 Slot 8" Dia. Inlet</b>	<b>2 Ft.</b>	Airflow, CFM	<b>80</b>	<b>120</b>	<b>160</b>	<b>200</b>	<b>240</b>	<b>280</b>	<b>320</b>
			Total Pressure	.016	.036	.064	.101	.145	.198	.258
			Static Pressure	.018	.041	.072	.080	.115	.157	.205
			Noise Criteria	<15	<15	<15	23	29	35	40
		Throw	3-6-12	6-10-16	9-13-18	11-14-20	13-16-22	14-17-23	15-18-25	
		<b>4 Ft.</b>	Airflow, CFM	<b>160</b>	<b>230</b>	<b>300</b>	<b>370</b>	<b>440</b>	<b>510</b>	<b>580</b>
			Total Pressure	.025	.053	.091	.138	.196	.263	.340
			Static Pressure	.013	.026	.045	.068	.097	.130	.168
			Noise Criteria	<15	<15	17	24	31	36	41
		Throw	5-8-17	8-12-21	10-16-24	13-18-26	16-20-30	17-22-32	18-24-34	
		<b>5 Ft.</b>	Airflow, CFM	<b>200</b>	<b>280</b>	<b>360</b>	<b>440</b>	<b>520</b>	<b>600</b>	<b>680</b>
			Total Pressure	.033	.065	.108	.161	.225	.300	.385
Static Pressure	.013		.025	.041	.062	.087	.115	.148		
Noise Criteria	<15		<15	19	26	32	37	42		
Throw	5-10-20	9-14-24	12-17-26	15-20-30	17-22-33	19-24-35	22-26-38			
<b>1" Slot Width</b>	<b>2 Slot 10" Dia. Inlet</b>	<b>2 Ft.</b>	Airflow, CFM	<b>80</b>	<b>130</b>	<b>180</b>	<b>230</b>	<b>280</b>	<b>330</b>	<b>380</b>
			Total Pressure	.014	.038	.073	.119	.176	.244	.324
			Static Pressure	.013	.034	.065	.106	.157	.218	.289
			Noise Criteria	<15	<15	19	28	35	41	47
		Throw	3-6-13	7-11-16	10-14-19	12-15-22	13-17-24	14-18-26	15-19-28	
		<b>4 Ft.</b>	Airflow, CFM	<b>160</b>	<b>240</b>	<b>320</b>	<b>400</b>	<b>480</b>	<b>560</b>	<b>640</b>
			Total Pressure	.019	.043	.076	.118	.170	.232	.303
			Static Pressure	.013	.029	.051	.080	.115	.157	.205
			Noise Criteria	<15	<15	18	26	33	39	44
		Throw	4-9-18	9-14-22	12-28-26	15-20-29	17-22-32	20-24-34	19-25-35	
		<b>5 Ft.</b>	Airflow, CFM	<b>200</b>	<b>295</b>	<b>390</b>	<b>485</b>	<b>580</b>	<b>675</b>	<b>770</b>
			Total Pressure	.022	.048	.085	.132	.189	.256	.333
Static Pressure	.013		.028	.049	.075	.108	.146	.190		
Noise Criteria	<15		<15	20	28	34	40	45		
Throw	5-19-19	10-14-24	13-19-27	17-22-32	20-24-35	21-25-38	22-27-39			
<b>1.5" Slot Width</b>	<b>2 Slot 8" Dia. Inlet</b>	<b>2 Ft.</b>	Airflow, CFM	<b>120</b>	<b>160</b>	<b>200</b>	<b>240</b>	<b>280</b>	<b>320</b>	<b>360</b>
			Total Pressure	.036	.064	.101	.145	.198	.258	.327
			Static Pressure	.029	.051	.080	.115	.157	.205	.259
			Noise Criteria	<15	<15	19	26	32	37	41
		Throw	5-19-16	8-12-18	11-12-18	13-16-21	14-17-24	15-18-26	15-19-27	
		<b>4 Ft.</b>	Airflow, CFM	<b>240</b>	<b>310</b>	<b>380</b>	<b>450</b>	<b>520</b>	<b>590</b>	<b>660</b>
			Total Pressure	.058	.097	.146	.205	.274	.352	.441
			Static Pressure	.029	.048	.072	.101	.135	.174	.218
			Noise Criteria	<15	<15	21	27	33	37	42
		Throw	9-14-22	12-17-25	14-20-28	16-22-31	17-23-33	19-25-35	21-26-37	
		<b>5 Ft.</b>	Airflow, CFM	<b>300</b>	<b>370</b>	<b>440</b>	<b>510</b>	<b>580</b>	<b>650</b>	<b>720</b>
			Total Pressure	.075	.114	.161	.217	.281	.352	.432
Static Pressure	.029		.044	.062	.083	.108	.135	.166		
Noise Criteria	<15		<15	22	27	32	36	40		
Throw	10-15-25	13-19-28	15-21-30	16-22-32	18-23-33	19-24-34	21-27-38			
<b>1.5" Slot Width</b>	<b>2 Slot 12" Dia. Inlet</b>	<b>2 Ft.</b>	Airflow, CFM	<b>120</b>	<b>170</b>	<b>220</b>	<b>270</b>	<b>320</b>	<b>370</b>	<b>420</b>
			Total Pressure	.031	.062	.103	.156	.219	.293	.377
			Static Pressure	.029	.058	.097	.146	.205	.274	.353
			Noise Criteria	<15	<15	21	29	35	40	45
		Throw	5-9-16	9-13-19	12-14-21	14-16-24	15-18-26	15-19-28	17-21-29	
		<b>4 Ft.</b>	Airflow, CFM	<b>240</b>	<b>320</b>	<b>400</b>	<b>480</b>	<b>560</b>	<b>640</b>	<b>720</b>
			Total Pressure	.037	.065	.102	.146	.199	.260	.329
			Static Pressure	.029	.051	.080	.115	.157	.205	.259
			Noise Criteria	<15	<15	22	26	32	37	41
		Throw	9-14-22	12-18-26	15-20-29	17-22-32	18-24-33	20-26-36	22-27-39	
		<b>5 Ft.</b>	Airflow, CFM	<b>300</b>	<b>400</b>	<b>500</b>	<b>600</b>	<b>700</b>	<b>800</b>	<b>900</b>
			Total Pressure	.041	.073	.114	.163	.222	.291	.368
Static Pressure	.029		.051	.080	.115	.157	.205	.259		
Noise Criteria	<15		<15	23	30	35	40	45		
Throw	10-15-25	14-20-29	16-22-32	19-24-35	22-27-38	23-28-41	24-30-43			

For performance table notes, see page A40.

**PERFORMANCE DATA • HORIZONTAL HIGH THROW SERIES**

**MODELS: FLH / FTH (20 & 25) • 2 SLOT WITH NAILOR PLENUM**



**A**

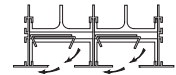
**FLOWLINE™ LINEAR DIFFUSERS**

2" Slot Width	2 Slot 8" Dia. Inlet	2 Ft.	Airflow, CFM	120	165	210	255	300	345	390
			Total Pressure	.023	.043	.069	.101	.141	.186	.238
			Static Pressure	.015	.029	.047	.068	.095	.125	.160
			Noise Criteria	<15	<15	16	24	29	34	38
			Throw	5-8-14	7-11-16	9-14-19	11-14-21	13-16-23	14-17-24	14-18-25
		4 Ft.	Airflow, CFM	240	300	360	420	480	540	600
			Total Pressure	.051	.079	.114	.156	.204	.258	.318
			Static Pressure	.021	.034	.048	.066	.086	.108	.134
			Noise Criteria	<15	17	23	29	34	39	43
			Throw	6-11-20	9-14-23	11-16-24	13-19-26	14-20-29	16-22-30	18-23-32
		5 Ft.	Airflow, CFM	260	325	390	455	520	585	650
			Total Pressure	.053	.082	.118	.161	.211	.267	.329
			Static Pressure	.018	.028	.040	.055	.072	.092	.113
			Noise Criteria	<15	16	22	29	34	38	42
			Throw	5-11-21	8-14-23	11-16-25	13-18-28	14-21-30	16-23-32	17-23-33
2" Slot Width	2 Slot 12" Dia. Inlet	2 Ft.	Airflow, CFM	120	195	270	345	420	495	570
			Total Pressure	.009	.024	.046	.075	.111	.155	.205
			Static Pressure	.007	.020	.039	.063	.094	.130	.172
			Noise Criteria	<15	<15	<15	22	28	35	41
			Throw	5-8-14	8-13-18	12-15-22	14-17-24	15-19-26	16-21-29	18-20-31
		4 Ft.	Airflow, CFM	240	330	420	510	600	690	780
			Total Pressure	.019	.037	.060	.088	.122	.161	.206
			Static Pressure	.013	.026	.042	.062	.086	.113	.145
			Noise Criteria	<15	<15	17	24	30	35	41
			Throw	6-11-20	10-15-23	13-19-26	15-21-29	18-23-32	20-24-34	21-25-36
		5 Ft.	Airflow, CFM	280	380	480	580	680	780	880
			Total Pressure	.022	.040	.065	.094	.130	.172	.218
			Static Pressure	.014	.026	.041	.060	.083	.110	.140
			Noise Criteria	<15	<15	18	25	31	36	41
			Throw	5-12-22	10-15-25	13-20-29	15-22-32	18-24-34	21-25-36	23-27-39
2.5" Slot Width	2 Slot 10" Dia. Inlet	2 Ft.	Airflow, CFM	80	160	240	320	400	480	560
			Total Pressure	.005	.019	.043	.078	.122	.175	.238
			Static Pressure	.003	.014	.032	.057	.088	.127	.173
			Noise Criteria	<15	<15	<15	18	27	35	41
			Throw	2-4-10	6-10-16	10-14-20	13-16-23	15-18-26	16-20-29	18-22-31
		4 Ft.	Airflow, CFM	160	280	400	520	640	760	880
			Total Pressure	.011	.034	.070	.118	.178	.251	.336
			Static Pressure	.005	.018	.036	.061	.092	.130	.174
			Noise Criteria	<15	<15	<15	22	31	38	44
			Throw	3-15-14	7-12-22	12-17-26	15-21-30	18-23-32	21-25-36	23-27-39
		5 Ft.	Airflow, CFM	200	335	470	605	740	875	1010
			Total Pressure	.014	.040	.079	.130	.194	.271	.361
			Static Pressure	.005	.016	.032	.054	.079	.110	.147
			Noise Criteria	<15	<15	<15	23	31	38	44
			Throw	3-5-15	7-13-23	12-18-28	15-23-32	19-25-35	23-27-29	23-29-41
2.5" Slot Width	2 Slot 12" Dia. Inlet	2 Ft.	Airflow, CFM	80	170	260	350	440	530	620
			Total Pressure	.003	.015	.034	.061	.097	.140	.192
			Static Pressure	.002	.012	.027	.049	.077	.112	.153
			Noise Criteria	<15	<15	<15	17	27	34	41
			Throw	2-4-10	7-10-17	11-14-21	14-17-24	15-19-27	17-21-31	19-23-32
		4 Ft.	Airflow, CFM	160	295	430	595	700	835	970
			Total Pressure	.007	.024	.051	.088	.136	.193	.260
			Static Pressure	.004	.016	.033	.056	.086	.122	.165
			Noise Criteria	<15	<15	<15	21	29	37	43
			Throw	3-5-14	8-13-23	13-19-27	16-22-31	20-24-34	22-26-38	23-29-41
		5 Ft.	Airflow, CFM	200	350	500	650	800	950	1100
			Total Pressure	.010	.029	.059	.100	.151	.212	.284
			Static Pressure	.005	.017	.033	.057	.086	.121	.162
			Noise Criteria	<15	<15	<15	21	29	37	43
			Throw	3-5-15	8-14-24	13-19-29	17-23-33	21-26-37	23-28-40	25-31-43

For performance table notes, see page A40.

**PERFORMANCE DATA • HORIZONTAL HIGH THROW SERIES**

**MODELS: FLH30 AND FTH30 • 2 SLOT WITH NAILOR PLENUM**



**FLOWLINE™ LINEAR DIFFUSERS**

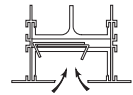
3" Slot Width	2 Slot 10" Dia. Inlet	2 Ft.	Airflow, CFM	80	180	280	380	480	580	680
			Total Pressure	.004	.022	.053	.097	.155	.226	.311
Static Pressure	.003	.015	.036	.067	.106	.156	.214			
Noise Criteria	<15	<15	<15	17	28	36	43			
Throw	1-3-9	6-10-17	11-15-22	14-18-25	16-20-29	18-22-32	20-24-34			
3" Slot Width	2 Slot 12" Dia. Inlet	4 Ft.	Airflow, CFM	150	300	450	600	750	900	1050
			Total Pressure	.009	.035	.080	.143	.222	.321	.436
Static Pressure	.004	.016	.038	.067	.104	.151	.205			
Noise Criteria	<15	<15	<15	19	29	38	45			
Throw	2-4-12	6-12-23	12-18-28	16-23-32	20-25-35	23-28-39	24-30-42			
3" Slot Width	2 Slot 12" Dia. Inlet	5 Ft.	Airflow, CFM	180	350	520	690	860	1030	1200
			Total Pressure	.011	.042	.092	.162	.251	.360	.489
Static Pressure	.004	.016	.035	.062	.096	.138	.186			
Noise Criteria	<15	<15	<15	19	29	38	45			
Throw	2-4-13	6-13-24	13-19-30	16-24-34	21-27-38	24-30-41	26-32-45			
3" Slot Width	2 Slot 12" Dia. Inlet	2 Ft.	Airflow, CFM	80	180	280	380	480	580	680
			Total Pressure	.004	.017	.042	.077	.124	.180	.248
Static Pressure	.003	.014	.034	.063	.100	.146	.201			
Noise Criteria	<15	<15	<15	<15	23	32	39			
Throw	1-3-9	6-10-17	11-15-22	14-18-25	16-20-29	18-22-32	20-24-34			
3" Slot Width	2 Slot 12" Dia. Inlet	4 Ft.	Airflow, CFM	150	310	470	630	790	950	1110
			Total Pressure	.006	.024	.056	.100	.156	.226	.309
Static Pressure	.003	.014	.033	.059	.093	.135	.184			
Noise Criteria	<15	<15	<15	23	29	35	42			
Throw	2-4-12	7-13-23	13-19-28	17-23-32	21-26-36	23-28-40	25-31-43			
3" Slot Width	2 Slot 12" Dia. Inlet	5 Ft.	Airflow, CFM	180	360	540	720	900	1080	1260
			Total Pressure	.007	.027	.060	.108	.169	.244	.331
Static Pressure	.003	.014	.031	.056	.087	.126	.170			
Noise Criteria	<15	<15	16	24	30	35	42			
Throw	2-4-13	6-13-24	13-19-30	17-24-35	22-28-39	24-30-42	26-32-46			

**Performance Notes:**

1. Data is based upon FlowLine™ with Nailor engineered plenum (uninsulated) as a complete assembly.
2. All pressures are in inches w.g..
3. Throw values are given at 150, 100 and 50 fpm terminal velocities under isothermal conditions.
4. Noise criteria values are based on 10 dB room absorption, re 10<sup>-12</sup> watts.
5. Throw values are based on a 1-way air pattern. For 2-way pattern, throw is determined from the 1 slot data at half the specified air volume.
6. Data derived from tests conducted in accordance with ANSI/ASHRAE Standard 70-2006.

**PERFORMANCE DATA • RETURN AIR APPLICATIONS**

**MODELS: FLH (10, 15, 20, 25 & 30)**



**FLOWLINE™ LINEAR DIFFUSERS**

Slot Width	Slots	Airflow, CFM/FT.	20	35	50	65	80	95	110
		Static Pressure	.014	.043	.088	.149	.226	.318	.426
Noise Criteria	<15	<18	26	33	39	45	48		
1" Slot Width	1 Slot	Airflow, CFM/FT.	20	35	50	65	80	95	110
		Static Pressure	.014	.043	.088	.149	.226	.318	.426
1" Slot Width	2 Slot	Airflow, CFM/FT.	40	70	100	130	160	190	220
		Static Pressure	.014	.043	.088	.149	.226	.318	.426
1" Slot Width	2 Slot	Noise Criteria	<15	<19	28	36	42	48	51
		Static Pressure	.012	.032	.059	.098	.143	.198	.261
1.5" Slot Width	1 Slot	Airflow, CFM/FT.	25	40	55	70	85	100	115
		Static Pressure	.012	.032	.059	.098	.143	.198	.261
1.5" Slot Width	2 Slot	Airflow, CFM/FT.	55	80	105	130	155	180	205
		Static Pressure	.015	.032	.054	.084	.119	.160	.208
1.5" Slot Width	2 Slot	Noise Criteria	<15	<15	19	29	34	38	42
		Static Pressure	.008	.023	.048	.083	.127	.179	.241
2" Slot Width	1 Slot	Airflow, CFM/FT.	25	45	65	85	105	125	145
		Static Pressure	.008	.023	.048	.083	.127	.179	.241
2" Slot Width	2 Slot	Airflow, CFM/FT.	45	85	125	165	205	245	285
		Static Pressure	.006	.021	.046	.080	.124	.177	.240
2" Slot Width	2 Slot	Noise Criteria	<15	<15	22	29	37	43	48
		Static Pressure	.010	.034	.074	.124	.190	.270	.364
2.5" Slot Width	1 Slot	Airflow, CFM/FT.	30	55	80	105	130	155	180
		Static Pressure	.010	.034	.074	.124	.190	.270	.364
2.5" Slot Width	2 Slot	Airflow, CFM/FT.	60	105	150	195	240	285	330
		Static Pressure	.010	.031	.063	.107	.162	.228	.306
2.5" Slot Width	2 Slot	Noise Criteria	<15	<15	24	30	35	40	44
		Static Pressure	.009	.036	.081	.144	.226	.326	.443
3" Slot Width	1 Slot	Airflow, CFM/FT.	30	60	90	120	150	180	210
		Static Pressure	.009	.036	.081	.144	.226	.326	.443
3" Slot Width	2 Slot	Airflow, CFM/FT.	60	120	180	240	300	360	420
		Static Pressure	.009	.036	.081	.144	.226	.326	.443
3" Slot Width	2 Slot	Noise Criteria	<15	<15	22	30	36	41	46
		Static Pressure	<15	<15	22	30	36	41	46

**NC Correction Factors for Various Lengths**

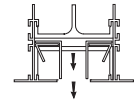
Length (ft.)	2	4	6	8	9	10	15
Return	- 3	0	+ 1	+ 2	+ 3	+ 5	+ 7

**Performance Notes:**

1. Data is based upon a ductless return application.
2. All pressures are in inches w.g..
3. Noise criteria values are based on 10 dB room absorption, re 10<sup>-12</sup> watts, for a 4 ft. (1219) section. For other lengths, use the correction factor table above.
4. Data derived from tests conducted in accordance with ANSI/ASHRAE Standard 70-2006.

PERFORMANCE DATA • VERTICAL JET THROW SERIES

MODELS: FLV / FTV (10 & 15) • 1 SLOT WITH NAILOR PLENUM



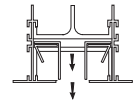
FLOWLINE™ LINEAR DIFFUSERS

1" Slot Width	1 Slot 8" Dia. Inlet	2 Ft.	Airflow, CFM	50	95	140	185	230	275	320
			Total Pressure	.010	.033	.073	.127	.197	.281	.381
			Static Pressure	.007	.029	.062	.109	.168	.241	.325
			Noise Criteria	<15	<15	17	26	33	39	44
			Throw	2-3-10	7-9-19	9-14-24	12-19-28	15-22-31	18-24-34	21-26-36
		4 Ft.	Airflow, CFM	100	175	250	325	400	475	550
			Total Pressure	.018	.056	.113	.190	.289	.408	.547
			Static Pressure	.013	.039	.079	.133	.201	.285	.381
			Noise Criteria	<15	<15	20	29	35	41	46
			Throw	2-4-13	6-11-23	11-17-30	14-21-34	18-26-37	21-29-41	24-31-44
		5 Ft.	Airflow, CFM	110	195	280	365	450	535	620
			Total Pressure	.019	.060	.124	.212	.322	.455	.611
			Static Pressure	.013	.040	.081	.139	.211	.297	.400
			Noise Criteria	<15	<15	21	30	36	42	47
			Throw	1-3-12	6-11-22	10-17-31	14-21-35	18-25-39	21-30-42	23-32-45
1" Slot Width	1 Slot 10" Oval Inlet	2 Ft.	Airflow, CFM	50	95	140	185	230	275	320
			Total Pressure	.006	.022	.049	.087	.134	.192	.259
			Static Pressure	.005	.020	.045	.079	.122	.174	.236
			Noise Criteria	<15	<15	15	23	30	35	40
			Throw	2-3-10	7-9-19	9-14-24	12-19-28	15-22-31	18-24-34	21-26-36
		4 Ft.	Airflow, CFM	100	180	260	340	420	500	580
			Total Pressure	.011	.036	.075	.128	.196	.278	.373
			Static Pressure	.009	.029	.060	.103	.156	.221	.299
			Noise Criteria	<15	<15	17	24	31	37	42
			Throw	2-4-13	7-12-23	11-17-30	14-22-34	18-28-39	22-30-42	25-32-45
		5 Ft.	Airflow, CFM	110	210	310	410	510	610	710
			Total Pressure	.011	.040	.087	.152	.235	.337	.456
			Static Pressure	.009	.030	.065	.114	.177	.256	.342
			Noise Criteria	<15	<15	17	26	33	39	44
			Throw	1-3-12	6-12-24	12-18-32	15-23-37	20-29-41	23-32-45	28-34-48
1" Slot Width	1 Slot 12" Oval Inlet	2 Ft.	Airflow, CFM	50	95	140	185	230	275	320
			Total Pressure	.004	.017	.037	.064	.100	.142	.194
			Static Pressure	.004	.016	.035	.061	.094	.135	.182
			Noise Criteria	<15	<15	<15	20	27	32	37
			Throw	2-3-10	7-9-19	9-14-24	12-19-28	15-22-31	18-24-34	21-26-36
		4 Ft.	Airflow, CFM	100	190	280	370	460	550	640
			Total Pressure	.009	.032	.068	.120	.185	.264	.358
			Static Pressure	.007	.028	.060	.105	.163	.232	.315
			Noise Criteria	<15	<15	18	26	33	38	43
			Throw	2-4-13	7-12-24	12-18-31	17-24-36	20-29-41	24-31-44	28-33-47
		5 Ft.	Airflow, CFM	110	220	330	440	550	660	770
			Total Pressure	.007	.016	.035	.061	.094	.135	.182
			Static Pressure	.006	.026	.057	.101	.157	.227	.308
			Noise Criteria	<15	<15	17	24	31	37	42
			Throw	1-3-12	7-12-25	12-19-33	17-25-39	21-31-43	25-33-47	30-36-51
1.5" Slot Width	1 Slot 8" Dia. Inlet	2 Ft.	Airflow, CFM	60	110	160	210	260	310	360
			Total Pressure	.009	.029	.060	.104	.159	.226	.305
			Static Pressure	.006	.021	.046	.079	.122	.173	.234
			Noise Criteria	<15	<15	<15	20	27	33	38
			Throw	1-2-9	4-9-18	9-12-24	11-17-29	13-20-32	17-24-34	19-26-37
		4 Ft.	Airflow, CFM	120	200	280	360	440	520	600
			Total Pressure	.020	.057	.111	.184	.276	.385	.513
			Static Pressure	.013	.035	.068	.113	.170	.236	.316
			Noise Criteria	<15	<15	19	27	33	39	43
			Throw	1-3-12	3-9-21	8-14-29	12-19-34	15-23-37	18-26-41	21-31-44
		5 Ft.	Airflow, CFM	140	220	300	380	460	540	620
			Total Pressure	.026	.062	.116	.186	.272	.376	.494
			Static Pressure	.015	.035	.066	.107	.156	.215	.285
			Noise Criteria	<15	<15	19	26	32	38	42
			Throw	1-3-12	3-8-20	6-13-28	10-18-34	14-21-37	17-24-41	19-29-43

For performance table notes, see page A44.

**PERFORMANCE DATA • VERTICAL JET THROW SERIES**

**MODELS: FLV / FTV (15 & 20) • 1 SLOT WITH NAILOR PLENUM**



**A**

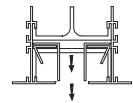
**FLOWLINE™ LINEAR DIFFUSERS**

1.5" Slot Width	1 Slot 10" Oval Inlet	2 Ft.	Airflow, CFM	60	125	190	255	320	385	450
			Total Pressure	.005	.025	.057	.103	.163	.235	.321
			Static Pressure	.005	.021	.049	.089	.139	.201	.275
			Noise Criteria	<15	<15	<15	23	30	36	41
			Throw	1-2-9	6-10-20	10-14-26	13-20-31	17-24-35	20-28-39	23-30-39
		4 Ft.	Airflow, CFM	120	240	360	480	600	720	840
			Total Pressure	.012	.045	.102	.181	.281	.406	.552
			Static Pressure	.009	.032	.073	.128	.201	.290	.394
			Noise Criteria	<15	<15	19	28	35	41	46
			Throw	1-3-12	6-12-24	12-19-34	17-24-40	21-31-44	24-34-48	29-36-52
		5 Ft.	Airflow, CFM	140	280	420	560	700	840	980
			Total Pressure	.014	.054	.121	.215	.336	.484	.659
			Static Pressure	.009	.036	.081	.144	.226	.325	.443
			Noise Criteria	<15	<15	21	30	37	43	48
			Throw	1-3-12	6-12-25	12-19-35	17-25-41	21-32-46	25-35-51	30-39-54
1.5" Slot Width	1 Slot 12" Oval Inlet	2 Ft.	Airflow, CFM	60	125	190	255	320	385	450
			Total Pressure	.004	.019	.044	.078	.123	.179	.244
			Static Pressure	.004	.017	.040	.072	.112	.163	.221
			Noise Criteria	<15	<15	<15	20	28	34	39
			Throw	1-2-9	6-10-20	10-14-26	13-20-31	17-24-35	20-28-39	23-30-42
		4 Ft.	Airflow, CFM	120	240	360	480	600	720	840
			Total Pressure	.007	.031	.070	.123	.192	.276	.376
			Static Pressure	.006	.025	.055	.097	.153	.220	.300
			Noise Criteria	<15	<15	16	24	31	37	42
			Throw	1-3-12	6-12-24	12-19-34	17-24-40	21-31-44	24-34-48	29-36-52
		5 Ft.	Airflow, CFM	140	280	420	560	700	840	980
			Total Pressure	.009	.035	.079	.141	.220	.318	.432
			Static Pressure	.006	.027	.060	.107	.168	.242	.328
			Noise Criteria	<15	<15	16	25	32	38	43
			Throw	1-3-12	6-12-15	12-19-35	17-25-41	21-32-46	25-35-51	30-39-54
2" Slot Width	1 Slot 8" Dia. Inlet	2 Ft.	Airflow, CFM	70	140	210	280	350	420	490
			Total Pressure	.010	.036	.082	.146	.228	.328	.447
			Static Pressure	.006	.026	.058	.103	.161	.232	.316
			Noise Criteria	<15	<15	16	24	32	38	42
			Throw	1-2-7	3-7-14	7-11-21	9-14-25	12-18-27	14-21-30	17-23-32
		4 Ft.	Airflow, CFM	140	220	300	380	460	540	620
			Total Pressure	.025	.060	.111	.178	.261	.36	.474
			Static Pressure	.014	.033	.062	.098	.144	.200	.263
			Noise Criteria	<15	<15	18	25	31	37	41
			Throw	1-2-8	3-5-14	4-9-20	7-13-26	9-15-29	12-18-31	14-21-33
		5 Ft.	Airflow, CFM	150	250	350	450	550	650	750
			Total Pressure	.026	.071	.138	.227	.339	.474	.631
			Static Pressure	.013	.036	.071	.117	.174	.243	.323
			Noise Criteria	<15	<15	21	29	35	41	45
			Throw	1-2-6	2-4-14	3-9-20	6-14-26	9-16-31	13-20-33	14-22-36
2" Slot Width	1 Slot 10" Oval Inlet	2 Ft.	Airflow, CFM	70	150	230	310	390	470	550
			Total Pressure	.005	.027	.062	.112	.179	.259	.354
			Static Pressure	.004	.021	.050	.091	.144	.210	.287
			Noise Criteria	<15	<15	<15	23	30	36	41
			Throw	1-2-7	3-8-15	8-12-22	10-16-26	14-20-29	16-22-31	19-24-34
		4 Ft.	Airflow, CFM	140	265	390	515	640	765	890
			Total Pressure	.013	.047	.103	.179	.276	.394	.534
			Static Pressure	.009	.031	.068	.119	.184	.263	.356
			Noise Criteria	<15	<15	18	27	34	40	45
			Throw	1-2-8	3-7-18	7-13-26	12-17-31	14-21-34	17-26-37	20-28-40
		5 Ft.	Airflow, CFM	150	300	450	600	750	900	1050
			Total Pressure	.013	.054	.122	.212	.331	.477	.649
			Static Pressure	.009	.033	.074	.132	.205	.295	.401
			Noise Criteria	<15	<15	20	29	36	42	47
			Throw	1-2-6	3-6-18	6-14-26	11-18-31	14-22-36	18-26-39	20-30-42

For performance table notes, see page A44.

PERFORMANCE DATA • VERTICAL JET THROW SERIES

MODELS: FLV / FTV (20, 25 & 30) • 1 SLOT WITH NAILOR PLENUM



FLOWLINE™ LINEAR DIFFUSERS

2" Slot Width	1 Slot 12" Oval Inlet	2 Ft.	Airflow, CFM	70	160	250	340	430	520	610
			Total Pressure	.004	.022	.055	.102	.162	.236	.325
			Static Pressure	.004	.019	.048	.089	.141	.208	.286
			Noise Criteria	<15	<15	<15	23	30	37	42
		Throw	1-2-7	4-9-16	9-13-23	12-17-27	14-21-30	18-24-33	20-26-36	
		4 Ft.	Airflow, CFM	140	290	440	590	740	890	1040
			Total Pressure	.009	.035	.082	.148	.232	.335	.458
			Static Pressure	.006	.027	.061	.109	.172	.249	.340
			Noise Criteria	<15	<15	16	26	33	39	44
		Throw	1-2-8	3-9-20	9-14-28	14-20-32	16-25-37	20-28-40	23-31-43	
		5 Ft.	Airflow, CFM	150	330	510	690	870	1050	1230
			Total Pressure	.009	.040	.096	.175	.279	.406	.557
Static Pressure	.005		.028	.067	.124	.197	.289	.394		
Noise Criteria	<15		<15	18	28	35	41	46		
Throw	1-2-6	3-8-20	8-15-29	14-20-34	17-26-38	20-30-42	25-32-46			
2.5" Slot Width	1 Slot 12" Oval Inlet	2 Ft.	Airflow, CFM	80	190	300	410	520	630	740
			Total Pressure	.004	.025	.061	.114	.185	.271	.375
			Static Pressure	.003	.020	.051	.096	.155	.228	.315
			Noise Criteria	<15	<15	<15	24	31	38	43
		Throw	1-2-6	4-9-17	9-14-25	12-19-29	15-23-32	19-26-36	22-27-38	
		4 Ft.	Airflow, CFM	150	335	520	705	890	1075	1260
			Total Pressure	.009	.042	.100	.183	.292	.426	.584
			Static Pressure	.005	.029	.071	.129	.207	.301	.413
			Noise Criteria	<15	<15	19	28	36	42	47
		Throw	1-2-6	3-8-20	9-15-30	14-21-35	18-26-39	21-30-43	25-32-46	
		5 Ft.	Airflow, CFM	160	370	580	790	1000	1210	1420
			Total Pressure	.009	.044	.108	.200	.320	.469	.646
Static Pressure	.005		.029	.072	.133	.212	.310	.428		
Noise Criteria	<15		<15	19	29	37	43	48		
Throw	1-1-5	3-7-20	7-15-31	14-20-36	17-26-40	21-31-44	25-34-48			
3" Slot Width	1 Slot 14" Oval Inlet	2 Ft.	Airflow, CFM	100	225	350	475	600	725	850
			Total Pressure	.004	.022	.055	.102	.162	.236	.325
			Static Pressure	.004	.020	.048	.088	.141	.205	.282
			Noise Criteria	<15	<15	<15	22	30	36	41
		Throw	1-2-7	4-9-18	9-14-26	13-20-31	16-24-34	20-26-37	23-29-40	
		4 Ft.	Airflow, CFM	200	400	600	800	1000	1200	1400
			Total Pressure	.010	.036	.082	.146	.228	.328	.446
			Static Pressure	.006	.027	.061	.108	.169	.244	.333
			Noise Criteria	<15	<15	<15	26	33	39	44
		Throw	1-2-8	3-8-21	8-16-31	14-21-36	18-26-40	21-31-44	25-33-48	
		5 Ft.	Airflow, CFM	240	460	680	900	1120	1340	1560
			Total Pressure	.012	.042	.091	.159	.247	.354	.480
Static Pressure	.007		.030	.064	.112	.174	.249	.338		
Noise Criteria	<15		<15	18	27	34	49	44		
Throw	1-2-8	3-8-21	7-16-32	13-21-37	18-26-42	21-31-45	25-35-48			

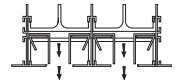
Performance Notes:

1. Data is based upon FlowLine™ with Nailor engineered plenum (uninsulated) as a complete assembly.
2. All pressures are in inches w.g..
3. Throw values are given at 150, 100 and 50 fpm terminal velocities under isothermal conditions.
4. Noise criteria values are based on 10 dB room absorption, re 10<sup>-12</sup> watts.
5. Throw values are based on pattern controller set 100% open.
6. Data derived from tests conducted in accordance with ANSI/ASHRAE Standard 70-2006.



**PERFORMANCE DATA • VERTICAL JET THROW SERIES**

**MODELS: FLV / FTV (10 & 15) • 2 SLOT WITH NAILOR PLENUM**



**A**

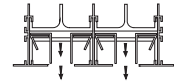
**FLOWLINE™ LINEAR DIFFUSERS**

<b>1" Slot Width</b>	<b>2 Slot 8" Dia. Inlet</b>	<b>2 Ft.</b>	Airflow, CFM	<b>80</b>	<b>155</b>	<b>230</b>	<b>305</b>	<b>380</b>	<b>455</b>	<b>530</b>
			Total Pressure	.012	.045	.098	.173	.269	.385	.523
			Static Pressure	.009	.032	.070	.122	.189	.272	.369
			Noise Criteria	<15	<15	18	27	34	40	45
			Throw	2-4-13	7-12-23	12-19-29	12-23-33	21-26-36	23-29-40	25-31-43
		<b>4 Ft.</b>	Airflow, CFM	<b>160</b>	<b>260</b>	<b>360</b>	<b>460</b>	<b>560</b>	<b>660</b>	<b>760</b>
			Total Pressure	.031	.083	.159	.261	.386	.537	.712
			Static Pressure	.017	.046	.089	.144	.215	.299	.396
			Noise Criteria	<15	<15	24	31	38	43	48
			Throw	2-4-17	6-12-28	10-29-33	17-24-37	20-29-41	23-31-44	26-34-47
		<b>5 Ft.</b>	Airflow, CFM	<b>200</b>	<b>300</b>	<b>400</b>	<b>500</b>	<b>600</b>	<b>700</b>	<b>800</b>
			Total Pressure	.045	.101	.180	.280	.404	.550	.718
			Static Pressure	.022	.051	.092	.143	.207	.281	.368
			Noise Criteria	<15	<15	25	32	38	43	47
			Throw	2-4-19	4-11-19	9-19-34	13-23-37	19-29-41	22-32-44	25-34-47
<b>1" Slot Width</b>	<b>2 Slot 10" Dia. Inlet</b>	<b>2 Ft.</b>	Airflow, CFM	<b>80</b>	<b>165</b>	<b>250</b>	<b>335</b>	<b>420</b>	<b>505</b>	<b>590</b>
			Total Pressure	.006	.029	.067	.121	.190	.275	.376
			Static Pressure	.005	.024	.054	.096	.151	.217	.297
			Noise Criteria	<15	<15	<15	23	31	37	42
			Throw	2-4-13	8-13-24	13-20-30	18-24-34	22-28-39	24-30-42	26-32-46
		<b>4 Ft.</b>	Airflow, CFM	<b>160</b>	<b>300</b>	<b>440</b>	<b>580</b>	<b>720</b>	<b>860</b>	<b>1000</b>
			Total Pressure	.016	.057	.122	.212	.326	.464	.628
			Static Pressure	.011	.036	.078	.136	.210	.299	.404
			Noise Criteria	<15	<15	20	29	36	42	47
			Throw	2-4-17	7-15-30	15-23-36	21-30-42	25-33-46	30-35-51	32-39-55
		<b>5 Ft.</b>	Airflow, CFM	<b>200</b>	<b>350</b>	<b>500</b>	<b>650</b>	<b>800</b>	<b>950</b>	<b>1100</b>
			Total Pressure	.022	.068	.140	.238	.360	.506	.679
			Static Pressure	.014	.042	.085	.142	.215	.304	.408
			Noise Criteria	<15	<15	22	31	37	43	47
			Throw	2-4-19	7-14-32	13-23-37	20-31-43	25-43-47	30-36-52	32-40-56
<b>1" Slot Width</b>	<b>2 Slot 12" Dia. Inlet</b>	<b>2 Ft.</b>	Airflow, CFM	<b>80</b>	<b>170</b>	<b>260</b>	<b>350</b>	<b>440</b>	<b>530</b>	<b>620</b>
			Total Pressure	.004	.021	.049	.090	.142	.207	.282
			Static Pressure	.004	.018	.043	.077	.122	.177	.242
			Noise Criteria	<15	<15	<15	21	28	34	39
			Throw	2-4-13	8-13-24	14-21-31	19-25-35	23-28-40	25-31-43	28-33-47
		<b>4 Ft.</b>	Airflow, CFM	<b>160</b>	<b>320</b>	<b>480</b>	<b>640</b>	<b>800</b>	<b>960</b>	<b>1120</b>
			Total Pressure	.010	.036	.082	.147	.229	.330	.448
			Static Pressure	.006	.026	.058	.102	.159	.229	.312
			Noise Criteria	<15	<15	<15	24	32	37	42
			Throw	2-4-17	8-17-31	17-25-37	23-31-44	29-34-48	31-37-54	33-41-57
		<b>5 Ft.</b>	Airflow, CFM	<b>200</b>	<b>375</b>	<b>550</b>	<b>725</b>	<b>900</b>	<b>1075</b>	<b>1250</b>
			Total Pressure	.013	.044	.095	.165	.255	.363	.490
			Static Pressure	.009	.029	.062	.108	.167	.238	.321
			Noise Criteria	<15	<15	17	26	33	38	43
			Throw	2-4-19	8-17-33	17-25-40	23-32-45	29-35-51	32-39-55	34-42-59
<b>1.5" Slot Width</b>	<b>2 Slot 10" Dia. Inlet</b>	<b>2 Ft.</b>	Airflow, CFM	<b>120</b>	<b>210</b>	<b>300</b>	<b>390</b>	<b>480</b>	<b>570</b>	<b>660</b>
			Total Pressure	.011	.033	.068	.116	.175	.248	.333
			Static Pressure	.007	.024	.048	.082	.124	.175	.234
			Noise Criteria	<15	<15	<15	21	27	33	38
			Throw	2-4-15	6-13-26	12-19-31	17-25-35	21-28-40	24-31-43	26-33-46
		<b>4 Ft.</b>	Airflow, CFM	<b>240</b>	<b>340</b>	<b>440</b>	<b>540</b>	<b>640</b>	<b>740</b>	<b>840</b>
			Total Pressure	.029	.059	.097	.148	.207	.276	.356
			Static Pressure	.016	.032	.055	.082	.114	.154	.198
			Noise Criteria	<15	<15	<15	22	28	32	37
			Throw	2-6-20	4-10-29	8-17-34	11-23-39	15-26-42	21-31-45	23-34-47
		<b>5 Ft.</b>	Airflow, CFM	<b>260</b>	<b>365</b>	<b>470</b>	<b>575</b>	<b>680</b>	<b>785</b>	<b>890</b>
			Total Pressure	.031	.061	.102	.152	.213	.284	.365
			Static Pressure	.016	.031	.052	.078	.109	.146	.187
			Noise Criteria	<15	<15	<15	22	28	32	36
			Throw	2-4-17	3-8-28	6-13-35	9-20-39	12-25-42	17-30-45	21-33-47

For performance table notes, see page A47.

PERFORMANCE DATA • VERTICAL JET THROW SERIES

MODELS: FLV / FTV (15 & 20) • 2 SLOT WITH NAILOR PLENUM



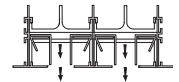
FLOWLINE™ LINEAR DIFFUSERS

1.5" Slot Width	2 Slot 12" Dia. Inlet	2 Ft.	Airflow, CFM	120	230	340	450	560	670	780
			Total Pressure	.006	.025	.054	.094	.146	.209	.284
			Static Pressure	.005	.019	.042	.073	.112	.161	.217
			Noise Criteria	<15	<15	<15	19	26	32	36
		Throw	2-4-15	8-14-28	14-22-33	19-26-39	24-30-43	26-33-46	29-35-40	
		4 Ft.	Airflow, CFM	240	390	540	690	840	990	1140
			Total Pressure	.016	.043	.082	.134	.199	.276	.366
			Static Pressure	.010	.027	.050	.082	.122	.170	.225
			Noise Criteria	<15	<15	<15	22	28	33	38
		Throw	2-6-20	6-13-32	17-25-37	23-31-44	29-34-48	31-37-54	33-41-57	
		5 Ft.	Airflow, CFM	260	425	590	755	920	1085	1250
			Total Pressure	.017	.046	.089	.144	.215	.300	.397
Static Pressure	.010		.027	.051	.083	.124	.172	.228		
Noise Criteria	<15		<15	<15	22	29	34	39		
Throw	2-4-17	4-11-32	9-21-39	15-29-44	22-34-48	26-37-53	31-40-56			
1.5" Slot Width	2 Slot 14" Dia. Inlet	2 Ft.	Airflow, CFM	120	240	360	480	600	720	840
			Total Pressure	.005	.018	.042	.074	.116	.167	.227
			Static Pressure	.004	.015	.034	.061	.094	.136	.185
			Noise Criteria	<15	<15	<15	<15	23	29	34
		Throw	2-4-15	8-15-28	15-23-34	21-28-40	25-31-44	28-34-48	30-36-52	
		4 Ft.	Airflow, CFM	240	415	590	765	940	1115	1290
			Total Pressure	.010	.030	.060	.101	.152	.214	.287
			Static Pressure	.006	.019	.040	.066	.101	.141	.189
			Noise Criteria	<15	<15	<15	18	24	30	35
		Throw	2-6-20	7-15-33	13-25-40	22-32-45	26-35-51	31-39-55	34-42-55	
		5 Ft.	Airflow, CFM	260	440	620	800	980	1160	1340
			Total Pressure	.011	.032	.063	.105	.157	.220	.293
Static Pressure	.007		.020	.041	.067	.101	.141	.188		
Noise Criteria	<15		<15	<15	18	25	30	35		
Throw	2-4-17	6-12-33	10-23-40	17-30-45	24-35-51	29-39-55	33-42-58			
2" Slot Width	2 Slot 10" Dia. Inlet	2 Ft.	Airflow, CFM	70	140	210	280	350	420	490
			Total Pressure	.003	.013	.028	.050	.078	.112	.154
			Static Pressure	.002	.009	.018	.032	.051	.073	.100
			Noise Criteria	<15	<15	<15	<15	<15	19	24
		Throw	0-1-3	1-3-11	3-6-18	5-11-22	8-14-25	11-18-27	14-20-30	
		4 Ft.	Airflow, CFM	250	355	460	565	670	775	880
			Total Pressure	.028	.057	.095	.143	.201	.270	.348
			Static Pressure	.014	.028	.047	.072	.101	.135	.174
			Noise Criteria	<15	<15	<15	21	27	31	35
		Throw	1-3-10	3-5-20	4-9-26	6-13-29	9-19-31	11-21-34	14-25-37	
		5 Ft.	Airflow, CFM	280	390	500	610	720	830	940
			Total Pressure	.032	.061	.101	.150	.210	.278	.357
Static Pressure	.014		.027	.045	.067	.093	.128	.158		
Noise Criteria	<15		<15	<15	21	27	31	35		
Throw	1-3-9	2-4-17	3-7-25	4-10-30	7-14-32	9-20-34	11-23-37			
2" Slot Width	2 Slot 12" Dia. Inlet	2 Ft.	Airflow, CFM	140	275	410	545	680	815	950
			Total Pressure	.007	.028	.062	.109	.170	.244	.332
			Static Pressure	.005	.019	.044	.077	.120	.172	.234
			Noise Criteria	<15	<15	<15	20	27	33	38
		Throw	1-3-11	5-11-22	11-17-27	15-22-31	19-25-35	22-27-38	24-27-38	
		4 Ft.	Airflow, CFM	250	425	600	775	950	1125	1300
			Total Pressure	.015	.044	.088	.147	.219	.308	.412
			Static Pressure	.008	.024	.049	.081	.122	.171	.229
			Noise Criteria	<15	<15	<15	22	29	34	39
		Throw	1-3-10	3-8-24	7-14-30	11-21-34	16-26-37	20-29-41	24-31-44	
		5 Ft.	Airflow, CFM	280	460	640	820	1000	1180	1360
			Total Pressure	.017	.047	.091	.149	.221	.309	.410
Static Pressure	.008		.024	.047	.076	.113	.158	.210		
Noise Criteria	<15		<15	<15	22	28	34	38		
Throw	1-3-9	3-6-22	5-12-31	9-19-34	13-25-37	18-29-41	22-31-44			

For performance table notes, see page A47.

**PERFORMANCE DATA • VERTICAL JET THROW SERIES**

**MODELS: FLV / FTV (20, 25 & 30) • 2 SLOT WITH NAILOR PLENUM**



**A**

**FLOWLINE™ LINEAR DIFFUSERS**

Slot Width	Inlet Dia.	Throw	Performance Data															
			Airflow, CFM	Total Pressure	Static Pressure	Noise Criteria	Throw	Airflow, CFM	Total Pressure	Static Pressure	Noise Criteria	Throw						
2" Slot Width	2 Slot 14" Dia. Inlet	2 Ft.	Airflow, CFM	140	280	420	560	700	840	980	Airflow, CFM	140	280	420	560	700	840	980
			Total Pressure	.004	.018	.041	.073	.114	.165	.225	Total Pressure	.004	.018	.041	.073	.114	.165	.225
			Static Pressure	.003	.014	.031	.055	.086	.123	.168	Static Pressure	.003	.014	.031	.055	.086	.123	.168
			Noise Criteria	<15	<15	<15	<15	21	27	32	Noise Criteria	<15	<15	<15	<15	21	27	32
			Throw	1-3-11	5-11-22	11-18-27	15-22-31	20-25-36	22-27-39	24-30-42	Throw	1-3-11	5-11-22	11-18-27	15-22-31	20-25-36	22-27-39	24-30-42
		4 Ft.	Airflow, CFM	250	450	650	850	1050	1250	1450	Airflow, CFM	250	450	650	850	1050	1250	1450
			Total Pressure	.010	.030	.062	.106	.161	.228	.307	Total Pressure	.010	.030	.062	.106	.161	.228	.307
			Static Pressure	.005	.018	.037	.063	.096	.137	.184	Static Pressure	.005	.018	.037	.063	.096	.137	.184
			Noise Criteria	<15	<15	<15	18	24	30	35	Noise Criteria	<15	<15	<15	18	24	30	35
			Throw	1-3-10	3-9-25	8-17-31	13-24-36	20-28-40	23-31-43	26-33-47	Throw	1-3-10	3-9-25	8-17-31	13-24-36	20-28-40	23-31-43	26-33-47
		5 Ft.	Airflow, CFM	280	480	680	880	1080	1280	1480	Airflow, CFM	280	480	680	880	1080	1280	1480
			Total Pressure	.011	.030	.061	.102	.153	.215	.288	Total Pressure	.011	.030	.061	.102	.153	.215	.288
			Static Pressure	.005	.017	.034	.057	.086	.120	.159	Static Pressure	.005	.017	.034	.057	.086	.120	.159
			Noise Criteria	<15	<15	<15	16	23	28	33	Noise Criteria	<15	<15	<15	16	23	28	33
			Throw	1-3-10	3-8-28	7-15-37	11-25-42	17-31-46	24-26-50	28-38-54	Throw	1-3-10	3-8-28	7-15-37	11-25-42	17-31-46	24-26-50	28-38-54
2.5" Slot Width	2 Slot 14" Dia. Inlet	2 Ft.	Airflow, CFM	150	335	520	705	890	1075	1260	Airflow, CFM	150	335	520	705	890	1075	1260
			Total Pressure	.004	.022	.054	.098	.157	.229	.315	Total Pressure	.004	.022	.054	.098	.157	.229	.315
			Static Pressure	.003	.016	.037	.070	.111	.162	.223	Static Pressure	.003	.016	.037	.070	.111	.162	.223
			Noise Criteria	<15	<15	<15	18	26	32	37	Noise Criteria	<15	<15	<15	18	26	32	37
			Throw	1-3-9	5-11-24	12-20-30	17-25-35	22-27-39	25-31-43	26-32-46	Throw	1-3-9	5-11-24	12-20-30	17-25-35	22-27-39	25-31-43	26-32-46
		4 Ft.	Airflow, CFM	300	540	780	1020	1260	1500	1740	Airflow, CFM	300	540	780	1020	1260	1500	1740
			Total Pressure	.012	.039	.080	.137	.209	.295	.398	Total Pressure	.012	.039	.080	.137	.209	.295	.398
			Static Pressure	.006	.021	.044	.076	.116	.164	.220	Static Pressure	.006	.021	.044	.076	.116	.164	.220
			Noise Criteria	<15	<15	<15	21	28	33	38	Noise Criteria	<15	<15	<15	21	28	33	38
			Throw	1-3-10	3-9-26	8-17-33	13-25-38	20-30-43	25-32-46	28-35-50	Throw	1-3-10	3-9-26	8-17-33	13-25-38	20-30-43	25-32-46	28-35-50
		5 Ft.	Airflow, CFM	350	600	850	1100	1350	1600	1850	Airflow, CFM	350	600	850	1100	1350	1600	1850
			Total Pressure	.015	.043	.087	.144	.218	.306	.410	Total Pressure	.015	.043	.087	.144	.218	.306	.410
			Static Pressure	.007	.022	.044	.074	.111	.157	.210	Static Pressure	.007	.022	.044	.074	.111	.157	.210
			Noise Criteria	<15	<15	<15	22	28	34	38	Noise Criteria	<15	<15	<15	22	28	34	38
			Throw	1-3-9	3-7-26	6-14-34	10-23-38	15-29-43	22-33-47	26-36-50	Throw	1-3-9	3-7-26	6-14-34	10-23-38	15-29-43	22-33-47	26-36-50
3" Slot Width	2 Slot 14" Dia. Inlet	2 Ft.	Airflow, CFM	175	385	595	805	1015	1225	1435	Airflow, CFM	175	385	595	805	1015	1225	1435
			Total Pressure	.005	.026	.062	.113	.181	.263	.361	Total Pressure	.005	.026	.062	.113	.181	.263	.361
			Static Pressure	.003	.017	.042	.076	.120	.175	.241	Static Pressure	.003	.017	.042	.076	.120	.175	.241
			Noise Criteria	<15	<15	<15	20	27	33	38	Noise Criteria	<15	<15	<15	20	27	33	38
			Throw	1-3-9	5-10-25	11-20-31	18-26-37	22-29-41	26-31-44	28-34-18	Throw	1-3-9	5-10-25	11-20-31	18-26-37	22-29-41	26-31-44	28-34-18
		4 Ft.	Airflow, CFM	320	580	840	1100	1360	1620	1880	Airflow, CFM	320	580	840	1100	1360	1620	1880
			Total Pressure	.013	.042	.087	.149	.227	.322	.433	Total Pressure	.013	.042	.087	.149	.227	.322	.433
			Static Pressure	.006	.021	.045	.078	.119	.168	.227	Static Pressure	.006	.021	.045	.078	.119	.168	.227
			Noise Criteria	<15	<15	<15	22	27	34	39	Noise Criteria	<15	<15	<15	22	27	34	39
			Throw	1-2-9	3-7-26	7-14-34	11-24-39	17-30-43	24-33-47	27-36-51	Throw	1-2-9	3-7-26	7-14-34	11-24-39	17-30-43	24-33-47	27-36-51
		5 Ft.	Airflow, CFM	380	645	910	1175	1440	1705	1970	Airflow, CFM	380	645	910	1175	1440	1705	1970
			Total Pressure	.016	.045	.090	.149	.224	.314	.419	Total Pressure	.016	.045	.090	.149	.224	.314	.419
			Static Pressure	.007	.020	.041	.068	.103	.144	.193	Static Pressure	.007	.020	.041	.068	.103	.144	.193
			Noise Criteria	<15	<15	<15	21	28	33	38	Noise Criteria	<15	<15	<15	21	28	33	38
			Throw	1-2-9	3-6-23	5-12-34	9-20-39	13-28-43	18-33-47	24-36-50	Throw	1-2-9	3-6-23	5-12-34	9-20-39	13-28-43	18-33-47	24-36-50

**Performance Notes:**

1. Data is based upon FlowLine™ with Nailor engineered plenum (uninsulated) as a complete assembly.
2. All pressures are in inches w.g..
3. Throw values are given at 150, 100 and 50 fpm terminal velocities under isothermal conditions.
4. Noise criteria values are based on 10 dB room absorption, re 10<sup>-12</sup> watts.
5. Throw values are based on pattern controller set 100% open.
6. Data derived from tests conducted in accordance with ANSI/ASHRAE Standard 70-2006.