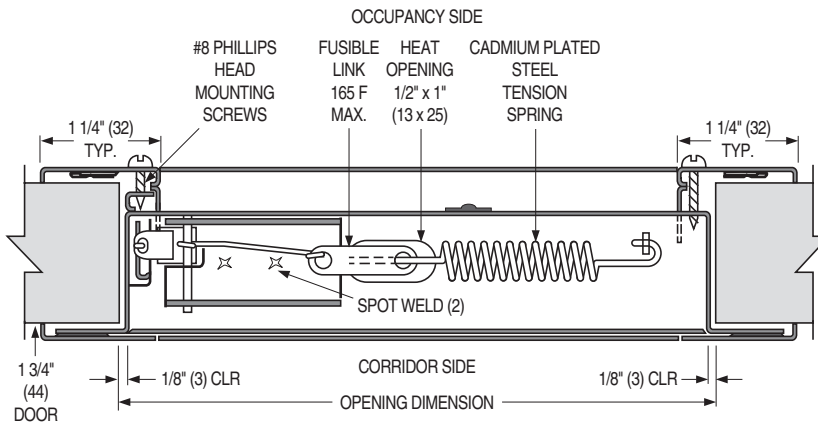




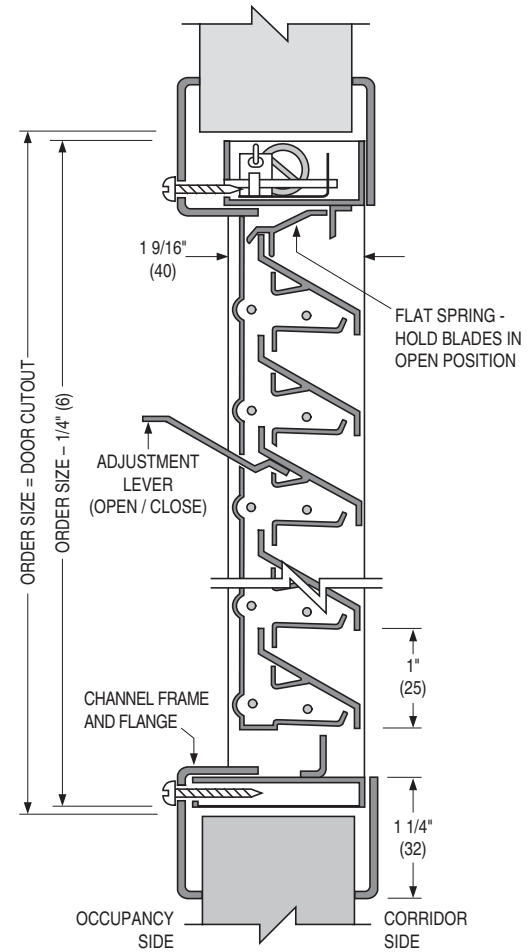
**STEEL FIRE RATED DOOR
GRILLE (LOUVER)
MODEL: 61DGD-FR***



Intertek

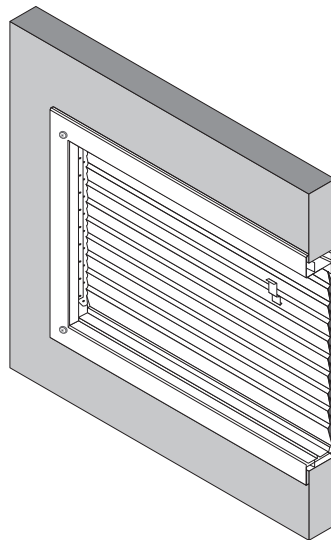


HORIZONTAL SECTION



VERTICAL SECTION

Stock Sizes:	
12 x 12	(305 x 305)
18 x 12	(457 x 305)
18 x 18	(457 x 457)
24 x 12	(610 x 305)
24 x 24	(610 x 610)



DESCRIPTION:

The 61DGD-FR is listed by Underwriters Laboratories for use in hollow metal type and composite type fire doors with up to a 1 1/2 hr. rating. Suitable for doors 1 3/4" (44) thick. Ideal for installation in existing door cutouts.

Tested and Listed for UL10C, and classified in accordance with UBC7-2-94, ASTM E152, CAN/ULC S104, NFPA 252. Install in accordance with NFPA 80.

- **Material:** Cold rolled steel 18 ga. frame and 16 ga. blades.
- **Frame:** Mitered and welded corners.
- **Closing Assembly:** 165°F (74°C) UL listed fusible link with stainless steel operating spring and action bar.
- **Installation:**

- Before installing Model 61DGD-FR Fire Door Louver into a fire door; be sure that the door cutout (order size) is accurate.
- Position one side of Model 61DGD-FR in the door cutout (as it would be installed). Model 61DGD-FR requires a single door cutout only for installation.

c. With the frames in place, screw the mounting screw through the prepunched holes in the frame on the room side. Screw firmly together. Note: Use the 1/2" (13) long screws in hole nearest fusible link.

d. Visually inspect the fusible link to assure that it is unbroken. Do not install if link is not intact. **Paint should not be applied to the fusible link or any of the connecting hardware including the hold-open clip.** Note: Nailor is not responsible for customer painted louvers, due to possible changes to operating condition.

e. Tighten the Phillips head screws by hand. Power screwdrivers are not recommended.

- **Free Area:** 45%
- **Finish:** BP Dark Bronze powder coat paint.
- **Available Sizes. In 2" (51) nominal increments:**
Minimum 10" x 6" (254 x 152).
Maximum 24" x 24" (610 x 610).

SCHEDULE TYPE:	Dimensions are in inches (mm).			
PROJECT:				
ENGINEER:	DATE	B SERIES	SUPERSEDES	DRAWING NO.
CONTRACTOR:	8 - 20 - 20	6100	7 - 30 - 20	61DGD-FR