



**PLENUM SLOT DIFFUSER**  
**SUPPLY • ADJUSTABLE**  
**"FLIP-FLOP" PATTERN CONTROLLERS**  
**MODEL: 5675 AND 5610**

**DESCRIPTION:**

1. The 5600 Series Plenum Slot Ceiling Diffusers have been designed for standard lay-in T-Bar ceiling grid applications. They integrate and blend with the suspended grid, so offering an extremely unobtrusive method of air distribution. Designed with the popular 3/4" (19) and 1" (25) slot spacing, the 5600 Series design offers high performance and extremely good value, where budgetary restraints are a consideration.

2. The 5600 Series features a roll-formed curved blade pattern controller in each slot. Aerodynamically designed to produce a fixed horizontal discharge pattern, the controller is pivoted at either end and may be simply rotated with fingers from the diffuser face for either a left or right discharge direction. In either horizontal discharge setting, the coanda effect is maximized and a tight blanket of air is projected across the ceiling. The horizontal pattern is maintained throughout a wide range of cataloged air volumes from maximum to minimum flow. Factory furnished center tees are dropped below diffuser face to match the ceiling grid. They are an excellent choice for VAV applications.

Standard nominal lengths: 20", 24", 30", 36", 48" and 60" to suit imperial ceiling grids. 500, 600, 750, 900, 1200 and 1500 mm to suit metric grids.

Number of slots: Choice of 1, 2, 3 or 4 slot configurations.

Standard inlet sizes: 6", 8", 10" and 12" (152, 203, 254 and 305). Other sizes are available.

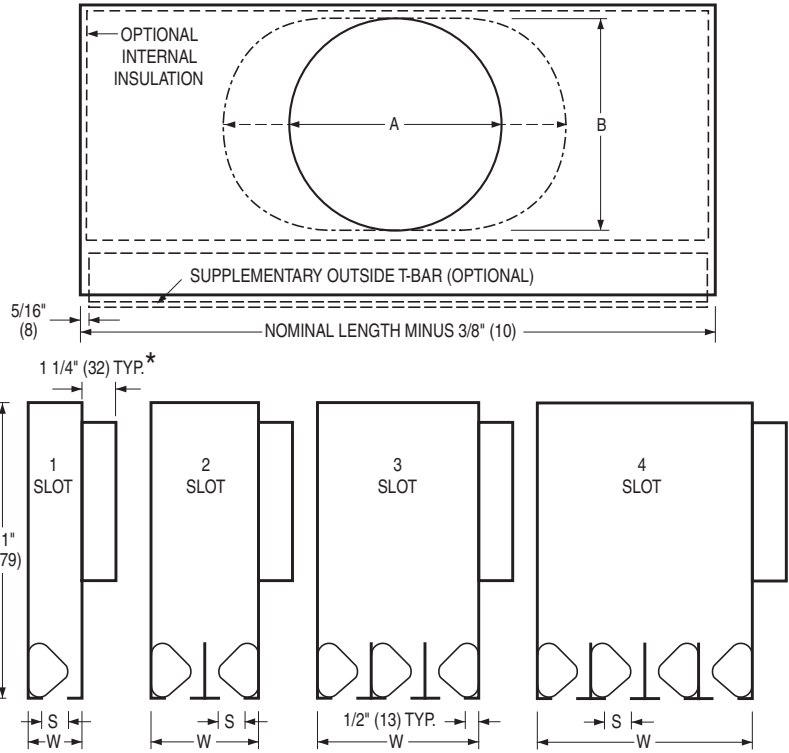
3. Material: Corrosion resistant steel for plenum, pattern controllers and center tees.

4. Standard Finish:

- BK Black pattern controllers and exposed surfaces.
- AW Appliance White on center T-bars.

**OPTIONS:**

1.  EX External Foil Back Insulation
2. Internal Insulation
  - a.  Model 5675I  Model 5610I
  - b.  FGI 1/4" (6) Coated Fiberglass (standard)
    - FFI 3/8" (10) Fiber-free foam
3.  ID Inlet Damper
4.  CN Cross Notch. Bisects diffuser length to allow a 48" (1200) unit to install in a 2' x 2' (600 x 600) grid.
5.  PF Plaster Frame
6. Supplementary T-Bars
  - T1 One (inlet side)
  - T0 One (opposite inlet side)
  - T2 Two (both sides)
7. Mounting Clips
  - M1 One side (2 opposite inlet side)
  - M2 Both sides (4)
8.  SP Special features \_\_\_\_\_ .



\* 4" (102) WITH OPTIONAL ID INLET DAMPER

**MODEL 5675**  
3/4" (19) Slot width

**MODEL 5610**  
1" (25) Slot width

		S Slot Width	
		3/4" (19)	1" (25)
W Width	1 Slot	1 3/4" (44)	2" (51)
	2 Slot	3 1/2" (89)	4" (102)
	3 Slot	5 1/4" (133)	6" (152)
	4 Slot	7" (178)	8" (203)

		Nominal Inlet Size			
		6" (152) Round	8" (203) Round	10" (254) Oval	12" (305) Oval
A	5 7/8" (149)	7 7/8" (200)	11" (279)	14 1/8" (359)	
B	—	—	7 7/8" (200)	7 7/8" (200)	

Dimensions are in inches (mm).

<b>SCHEDULE TYPE:</b>					
<b>PROJECT:</b>					
<b>ENGINEER:</b>		<b>DATE</b>	<b>B SERIES</b>	<b>SUPERSEDES</b>	<b>DRAWING NO.</b>
<b>CONTRACTOR:</b>		5 - 17 - 18	5600	3 - 1 - 16	5600-1



**PLENUM SLOT DIFFUSER  
RETURN AIR UNIT WITH LIGHT BARRIER  
MODELS: 5675R AND 5610R**

**DESCRIPTION:**

1. The 5600R Series has been especially designed to integrate with standard lay-in T-bar ceiling grids.
2. The 5600R Series is designed as a matching return unit to complement the Series 5600 supply unit. They return room air to the ceiling plenum in ductless return applications.

Standard nominal lengths: 20", 24", 30", 36", 48" and 60" to suit imperial ceiling grids. 500, 600, 750, 900, 1200 and 1500 mm to suit metric grids.

Slot width: Choice of 3/4" and 1" (19 and 25).

Number of slots: Choice of 1, 2, 3 or 4 slot configurations.

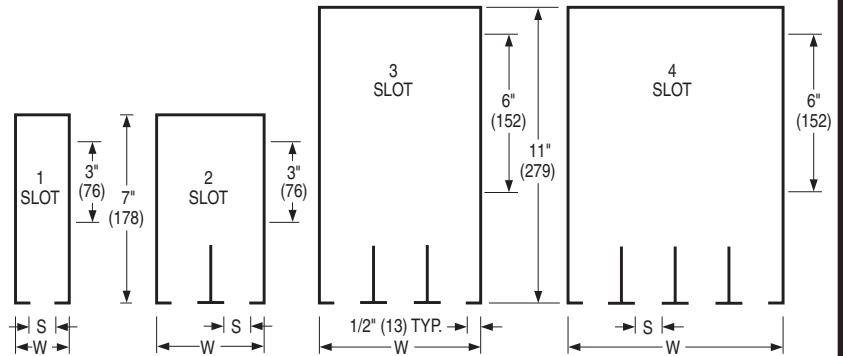
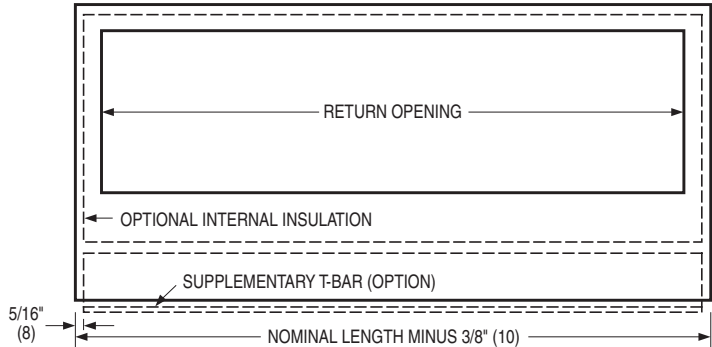
3. Barrier stops light from ceiling plenum and also prevents see through.
4. Material: Corrosion resistant steel for plenum and center T-bars.  
Factory furnished center tees are dropped below diffuser face to match the ceiling grid.

**5. Standard Finish:**

BK Black pattern controllers and exposed surfaces.  
AW Appliance White on center T-bars.

**OPTIONS:**

1.  EX External Foil Back Insulation
2. Internal Insulation
  - Model 5675RI  Model 5610RI
  - FGI 1/4" (6) Coated Fiberglass (standard)  
 FFI 3/8" (10) Fiber-free foam
3.  CN Cross Notch. Bisects diffuser length to allow a 48" (1200) unit to install in a 2' x 2' (600 x 600) grid.
4.  PF Plaster Frame
5. Supplementary T-Bars
  - T1 One (inlet side)
  - T0 One (opposite inlet side)
  - T2 Two (both sides)
6. Mounting Clips
  - M1 One side (2 opposite inlet side)
  - M2 Both sides (4)
7.  SP Special features \_\_\_\_\_ .



**MODEL 5675R**  
3/4" (19) Slot width

**MODEL 5610R**  
1" (25) Slot width

		S Slot Width	
		3/4" (19)	1" (25)
W Width	1 Slot	1 3/4" (44)	2" (51)
	2 Slot	3 1/2" (89)	4" (102)
	3 Slot	5 1/4" (133)	6" (152)
	4 Slot	7" (178)	8" (203)

**SCHEDULE TYPE:**

**PROJECT:**

**ENGINEER:**

**CONTRACTOR:**

Dimensions are in inches (mm).

**DATE**

**B SERIES**

**SUPERSEDES**

**DRAWING NO.**

2 - 25 - 21

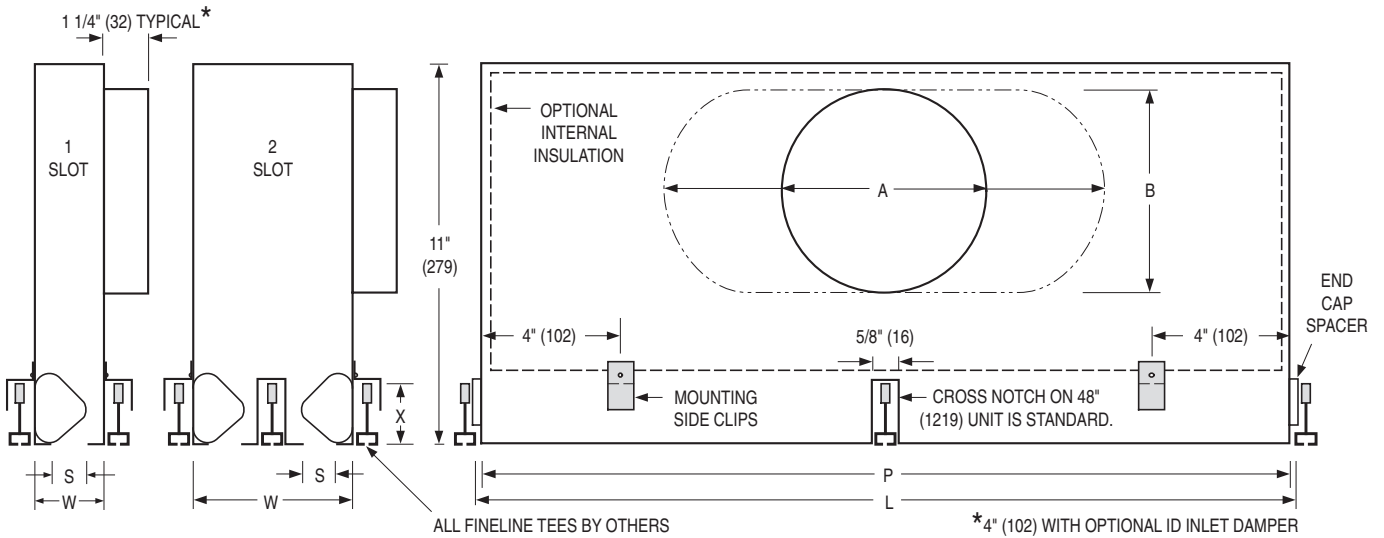
5600

11 - 11 - 13

5600-2



**PLENUM SLOT DIFFUSER  
FOR NARROW REGRESSED T-BAR CEILING SYSTEMS  
"FLIP-FLOP" PATTERN CONTROLLERS  
MODELS: 5675-F AND 5610-F**



**DESCRIPTION:**

1. The 5600-F Series is a flexible, high performance plenum slot diffuser and an excellent choice for VAV applications.

2. The 5600-F Series has been specially developed to integrate with and complement 'Fineline<sup>®</sup>' type suspended ceiling grids.

Available in 24" (600) or 48" (1200) nominal lengths to suit both imperial and metric ceiling grids. A choice of two slot widths and one or two slot configurations are available.

The single slot units are for installation alongside a main T-Bar runner. Two slot units incorporate a center hat channel and are designed to straddle longitudinally a main T-Bar runner.

3. The 5600-F Series features a roll-formed curved blade pattern controller in each slot. Aerodynamically designed to produce a fixed horizontal discharge pattern, the controller is pivoted at either end and may be simply rotated with fingers from the diffuser face for either a left or right discharge direction. In either horizontal discharge setting, the coanda effect is maximized and a tight blanket of air is projected across the ceiling. The horizontal pattern is maintained throughout a wide range of cataloged air volumes from maximum to minimum flow. They are an excellent choice for VAV applications.

4. Pattern controller is split mid-way on 48" (1219) units and allows a 2-way opposite blow pattern from a single slot.

5. Material: Corrosion resistant steel for plenum, pattern controllers and center tees.

6. Finish: AW Appliance White on T-Bars. BK Black pattern controllers and exposed surfaces.

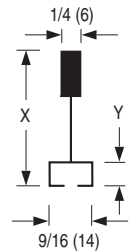
**SPECIFIED T-BAR:**  A  C  D

**OPTIONS:**

- 1.  EX External Foil Back Insulation
- 2. Internal Insulation
  - a.  Model 5675I-F  Model 5610I-F
  - b.  FGI 1/4" (6) Coated Fiberglass (std.)  FFI 3/8" (10) Fiber-free foam
- 3.  ID Inlet Damper
- 4.  CN Cross Notch. For 48" (1219) nominal length diffusers. The vast majority of ceiling systems utilize a 2' x 2' (610 x 610) grid and require this option.
  - No Cross Notch on 48" (1219) units.

**Imperial Ceiling Modules (inches)**

Nominal Length	Overall Length L	Plenum Length P
24	23 3/4	23 3/8
48	47 3/4	47 3/8



**Metric Ceiling Modules (mm)**

Nominal Length	Overall Length L	Plenum Length P
600	594	584
1200	1194	1184

Model	S Slot Width	Width W	
		1 Slot	2 Slot
5675-F	3/4" (19)	1 3/4" (44)	4 1/8" (105)
5610-F	1" (25)	2" (51)	4 5/8" (117)

T-Bar Type (Manufacturer)	X	Y
<b>A</b> Chicago Metallic Ultraline	1 3/4" (44)	5/16" (8)
<b>C</b> Certainteed Smoothline	1 5/8" (41)	5/16" (8)
<b>D</b> Donn Fineline	1 25/32" (45)	5/16" (8)

	Nominal Inlet Size			
	6" (152) Round	8" (203) Round	10" (254) Oval	12" (305) Oval
<b>A</b>	5 7/8" (149)	7 7/8" (200)	11" (279)	14 1/8" (359)
<b>B</b>	—	—	7 7/8" (200)	7 7/8" (200)

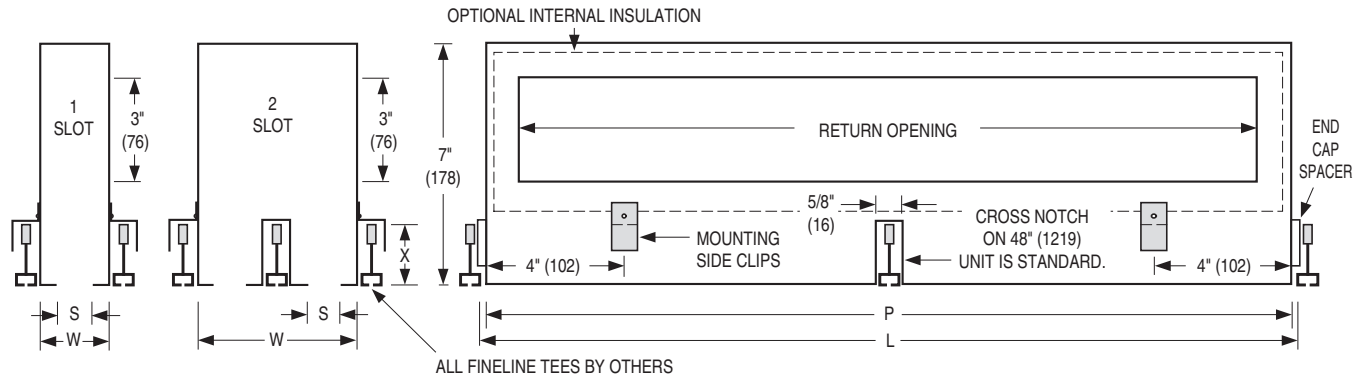
Fineline<sup>®</sup> is a registered trademark of USG Interiors Inc.

Dimensions are in inches (mm).

<b>SCHEDULE TYPE:</b>			
<b>PROJECT:</b>			
<b>ENGINEER:</b>			
<b>CONTRACTOR:</b>			
<b>DATE</b>	<b>B SERIES</b>	<b>SUPERSEDES</b>	<b>DRAWING NO.</b>
5 - 23 - 18	5600	NEW	5600-F1



**PLENUM SLOT DIFFUSER  
FOR NARROW REGRESSED T-BAR CEILING SYSTEMS  
RETURN AIR UNIT WITH LIGHT BARRIER  
MODELS: 5675R-F AND 5610R-F**



**DESCRIPTION:**

1. The 5600R-F Series is designed as a matching return unit to complement the 5700-F Series supply unit.
2. The 5600R-F Series has been specially developed to integrate with and complement 'Fineline®' type suspended ceiling grids.

Available in 24" (600) or 48" (1200) nominal lengths to suit both imperial and metric ceiling grids. A choice of two slot widths and one or two slot configurations are available.

The single slot units are for installation alongside a main T-Bar runner. Two slot units incorporate a center hat channel and are designed to straddle longitudinally a main T-Bar runner.

3. Light barrier blocks light from ceiling plenum and also prevents see-through.
4. Material: Corrosion resistant steel.
5. Finish: BK Black on exposed surfaces.

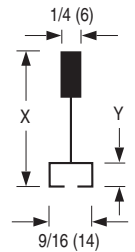
**SPECIFIED T-BAR:**  A  C  D

**OPTIONS:**

1.  EX External Foil Back Insulation
2. Internal Insulation
  - a.  Model 5675RI-F  Model 5610RI-F
  - b.  FGI 1/4" (6) Coated Fiberglass (standard)  
 FFI 3/8" (10) Fiber-free foam
3.  CN Cross Notch. For 48" (1219) nominal length diffusers.  
The vast majority of ceiling systems utilize a 2' x 2' (610 x 610) grid and require this option.  
 No Cross Notch on 48" (1219) units.

**Imperial Ceiling Modules (inches)**

Nominal Length	Overall Length L	Plenum Length P
24	23 3/4	23 3/8
48	47 3/4	47 3/8



**Metric Ceiling Modules (mm)**

Nominal Length	Overall Length L	Plenum Length P
600	594	584
1200	1194	1184

Model	S Slot Width	Width W	
		1 Slot	2 Slot
5675R-F	3/4" (19)	1 3/4" (44)	4 1/8" (105)
5610R-F	1" (25)	2" (51)	4 5/8" (117)

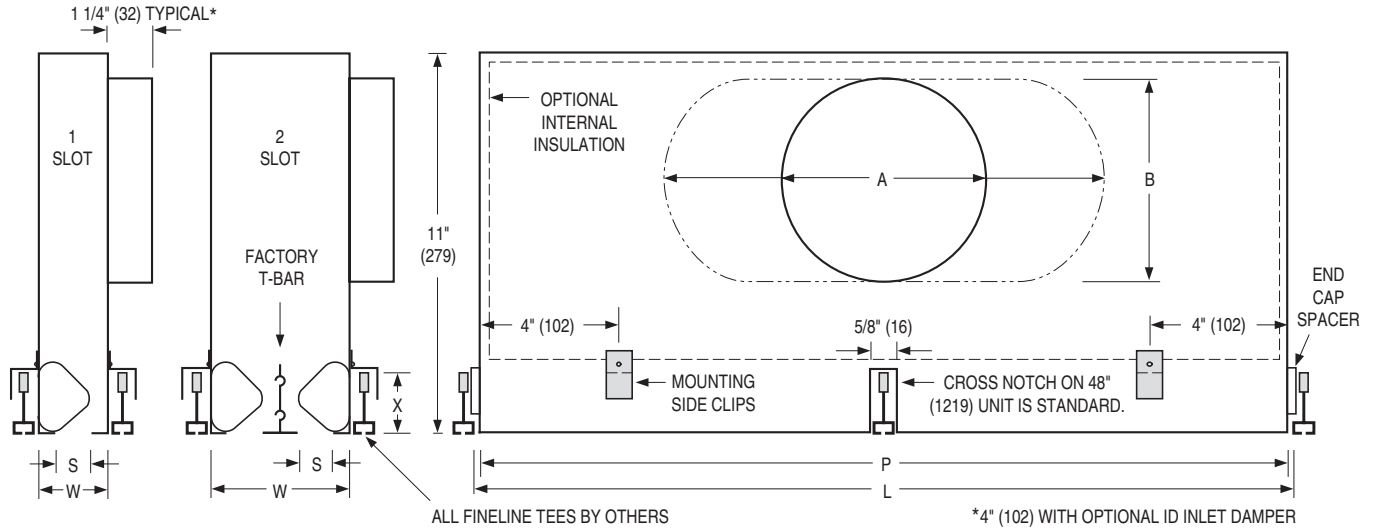
T-Bar Type (Manufacturer)		X	Y
A	Chicago Metallic Ultraline	1 3/4" (44)	5/16" (8)
C	Certaiteed Smoothline	1 5/8" (41)	5/16" (8)
D	Donn Fineline	1 25/32" (45)	5/16" (8)

Fineline® is a registered trademark of USG Interiors Inc.

<b>SCHEDULE TYPE:</b>		Dimensions are in inches (mm).			
<b>PROJECT:</b>					
<b>ENGINEER:</b>	<b>DATE</b>	<b>B SERIES</b>	<b>SUPERSEDES</b>	<b>DRAWING NO.</b>	
<b>CONTRACTOR:</b>	2 - 22 - 21	5600	NEW	5600-F2	



**PLENUM SLOT DIFFUSER  
FOR NARROW REGRESSED T-BAR CEILING SYSTEMS  
"FLIP-FLOP" PATTERN CONTROLLERS  
MODELS: 5675-F2 AND 5610-F2**



**DESCRIPTION:**

1. The 5600-F2 Series is a flexible, high performance plenum slot diffuser and an excellent choice for VAV applications.

2. The 5600-F2 Series has been especially developed to integrate with and complement 'Fineline<sup>®</sup>' type suspended ceiling grids.

Available in 24" (600) or 48" (1200) nominal lengths to suit both imperial and metric ceiling grids. A choice of two slot widths and one, two, three or four slot configurations are available.

The single slot units are for installation alongside an existing main T-Bar runner. Multi-slot units incorporate factory installed 1" (25) flat face T-bars.

3. The 5600-F2 Series features a roll-formed curved blade pattern controller in each slot. Aerodynamically designed to produce a fixed horizontal discharge pattern, the controller is pivoted at either end and may be simply rotated with fingers from the diffuser face for either a left or right discharge direction. In either horizontal discharge setting, the coanda effect is maximized and a tight blanket of air is projected across the ceiling. The horizontal pattern is maintained throughout a wide range of cataloged air volumes from maximum to minimum flow. Factory furnished center tees are dropped below diffuser face to match the ceiling grid. They are an excellent choice for VAV applications.

4. Material: Corrosion resistant steel.

5. Finish: AW Appliance White on T-Bars.  
BK Black pattern controllers and exposed surfaces.

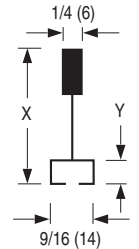
**SPECIFIED T-BAR:**  A  C  D

**OPTIONS:**

- 1.  EX External Foil Back Insulation
- 2. Internal Insulation
  - a.  Model 5675I-F2  Model 5610I-F2
  - b.  FGI 1/4" (6) Coated Fiberglass (standard)  
 FFI 3/8" (10) Fiber-free foam
- 3.  ID Inlet Damper
- 4.  CN Cross Notch. For 48" (1219) nominal length diffusers. The vast majority of ceiling systems utilize a 2' x 2' (610 x 610) grid and require this option.
  - No Cross Notch on 48" (1219) units.

**Imperial Ceiling Modules (inches)**

Nominal Length	Overall Length L	Plenum Length P
24	23 3/4	23 3/8
48	47 3/4	47 3/8



**Metric Ceiling Modules (mm)**

Nominal Length	Overall Length L	Plenum Length P
600	594	584
1200	1194	1184

Model	S Slot Width	Width W			
		1 Slot	2 Slot	3 Slot	4 Slot
5675-F2	3/4" (19)	1 3/4" (44)	3 1/2" (89)	5 1/4" (133)	7" (178)
5610-F2	1" (25)	2" (51)	4" (102)	6" (152)	8" (203)

T-Bar Type (Manufacturer)	X	Y
A Chicago Metallic Ultraline	1 3/4" (44)	5/16" (8)
C Certainteed Smoothline	1 5/8" (41)	5/16" (8)
D Donn Fineline	1 25/32" (45)	5/16" (8)

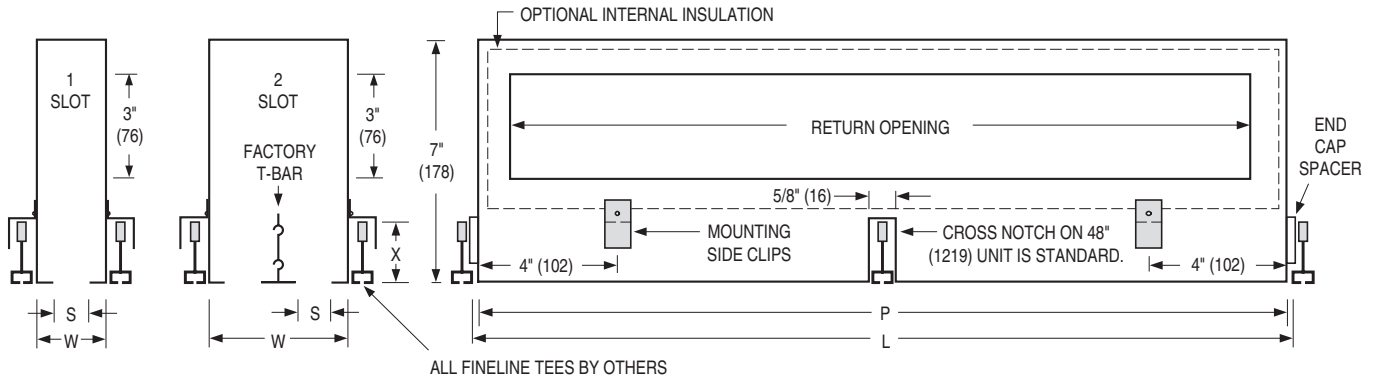
	Nominal Inlet Size			
	6" (152) Round	8" (203) Round	10" (254) Oval	12" (305) Oval
A	5 7/8" (149)	7 7/8" (200)	11" (279)	14 1/8" (359)
B	—	—	7 7/8" (200)	7 7/8" (200)

Fineline<sup>®</sup> is a registered trademark of USG Interiors Inc.

<b>SCHEDULE TYPE:</b>	Dimensions are in inches (mm).			
<b>PROJECT:</b>				
<b>ENGINEER:</b>	<b>DATE</b>	<b>B SERIES</b>	<b>SUPERSEDES</b>	<b>DRAWING NO.</b>
<b>CONTRACTOR:</b>	1 - 26 - 21	5600	NEW	5600-F3



**PLENUM SLOT DIFFUSER  
FOR NARROW REGRESSED T-BAR CEILING SYSTEMS  
RETURN AIR UNIT WITH LIGHT BARRIER  
MODELS: 5675R-F2 AND 5610R-F2**



**DESCRIPTION:**

1. The 5600R-F2 Series is designed as a matching return unit to complement the 5600-F2 Series supply unit.

2. The 5600R-F2 Series has been specially developed to integrate with and complement 'Fineline®' type suspended ceiling grids.

Available in 24" (600) or 48" (1200) nominal lengths to suit both imperial and metric ceiling grids. A choice of two slot widths and one, two, three or four slot configurations are available.

The single slot units are for installation alongside a main T-Bar runner. Multi-slot units incorporate factory installed 1" (25) flat face T-Bars.

3. Light barrier blocks light from ceiling plenum and also prevents see-through.

4. Material: Corrosion resistant steel.

5. Finish: AW Appliance White on T-Bars.  
BK Black on exposed surfaces.

**SPECIFIED T-BAR:**  A  C  D

**OPTIONS:**

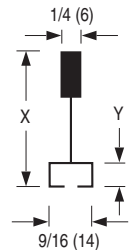
- 1.  EX External Foil Back Insulation
- 2. Internal Insulation
  - a.  Model 5675RI-F2  Model 5610RI-F2
  - b.  FGI 1/4" (6) Coated Fiberglass (standard)  
 FFI 3/8" (10) Fiber-free foam
- 3.  CN Cross Notch. For 48" (1219) nominal length diffusers. The vast majority of ceiling systems utilize a 2' x 2' (610 x 610) grid and require this option.  
 No Cross Notch on 48" (1219) units.

**Imperial Ceiling Modules (inches)**

Nominal Length	Overall Length L	Plenum Length P
24	23 3/4	23 3/8
48	47 3/4	47 3/8

**Metric Ceiling Modules (mm)**

Nominal Length	Overall Length L	Plenum Length P
600	594	584
1200	1194	1184



Model	S Slot Width	Width W			
		1 Slot	2 Slot	3 Slot	4 Slot
5675R-F2	3/4" (19)	1 3/4" (44)	3 1/2" (89)	5 1/4" (133)	7" (178)
5610R-F2	1" (25)	2" (51)	4" (102)	6" (152)	8" (203)

T-Bar Type (Manufacturer)		X	Y
A	Chicago Metallic Ultraline	1 3/4" (44)	5/16" (8)
C	Certaiteed Smoothline	1 5/8" (41)	5/16" (8)
D	Donn Fineline	1 25/32" (45)	5/16" (8)

Fineline® is a registered trademark of USG Interiors Inc.

<b>SCHEDULE TYPE:</b>		Dimensions are in inches (mm).			
<b>PROJECT:</b>					
<b>ENGINEER:</b>	<b>DATE</b>	<b>B SERIES</b>	<b>SUPERSEDES</b>	<b>DRAWING NO.</b>	
<b>CONTRACTOR:</b>	2 - 22 - 21	5600	NEW	5600-F4	



**PLENUM SLOT DIFFUSER ACCESSORIES (OPT.)**  
**MODEL SERIES: 5600, 5700 AND 5800 – SUPPLY**  
**5600R, 5700R AND 5800R – RETURN**

**PF Slot Diffuser Plaster Frame**

The PF Plaster Frame, for plenum slot diffusers enables the installation of Lay-in T-Bar style diffusers to be installed in drywall or plaster ceilings. Installation of the frame in the ceiling is by others.

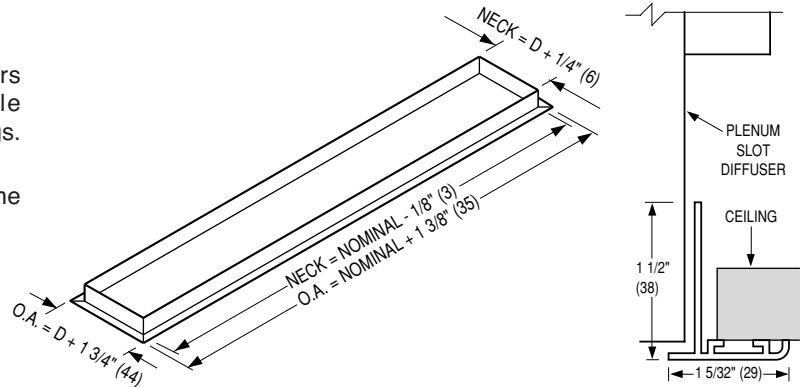
(Note: Diffuser will not fit through a plaster frame opening).

**Material:** Extruded aluminum with mitered corners.

Recommended Ceiling Opening dimensions:

Width = Diffuser Width (D) + 1/2" (13)

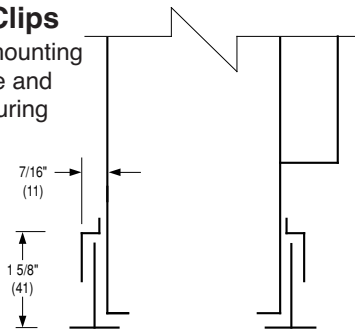
Length = Nominal Diffuser Length + 1/4" (6)



**T-Bar Mounting Clips**

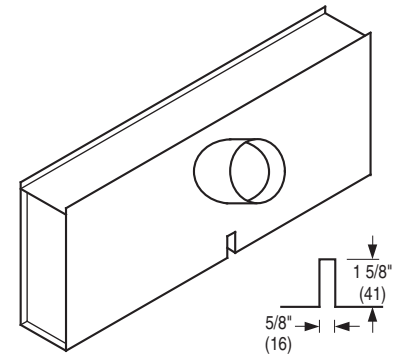
The factory installed mounting clips assist to reinforce and stabilize the plenum during and after installation.

- M1 One Side**  
(2 supplied opposite inlet side)
- M2 Both sides**  
(4 total supplied)



**CN Cross Notch**

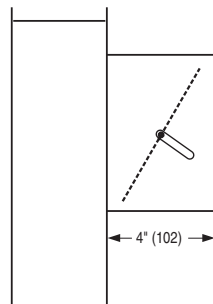
The CN Cross Notch option allows a 48" (1200) plenum unit to be installed in a 24" x 24" (600 x 600) ceiling grid. Available on both supply and return models.



**ID Inlet Damper**

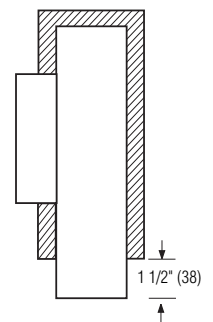
(Supply models only)

This single blade damper is an economical factory installed option that permits air balancing of the device at the plenum inlet. Ceiling access is required.



**EX External Foil Back Insulation**

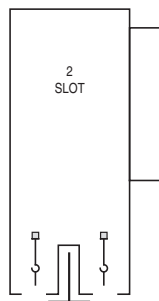
1/2" (13) thick fiberglass blanket with a reinforced aluminum foil scrim-kraft (FSK) facing that provides a vapor barrier. The insulation is wrapped around the outside of the plenum. It is an option on all non-insulated models.



**ST Straddle T-Bar**

The ST Straddle T-Bar option is a center channel that allows the plenum to straddle the T-Bar.

It is an option on both 2 or 4 slot units. (The T-Bar is supplied by others.)

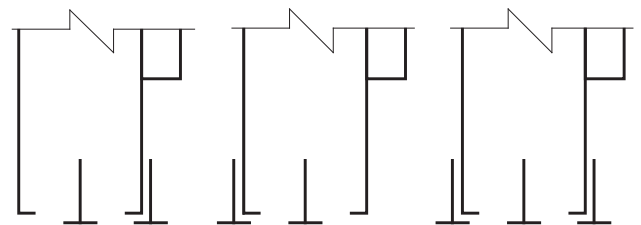


**Supplementary T-Bars**

- T1** One on inlet side
- T0** One opposite inlet side
- T2** Two on both sides

As standard, multiple slot plenums include factory installed center T-Bars.

However, if required, supplementary T-Bars can be ordered as an optional accessory for either one side or both sides of the plenum.



**SCHEDULE TYPE:**

**PROJECT:**

**ENGINEER:**

**CONTRACTOR:**

Dimensions are in inches (mm).

**DATE**

**B SERIES**

**SUPERSEDES**

**DRAWING NO.**

4 - 19 - 18

56/57/5800

4 - 28 - 14

PSD-A



## PERFORMANCE DATA • MODEL SERIES 5600

### MODEL: 5675(I) • 3/4" (19) SLOT WIDTH

#### 1 Slot • 24" (610) Long, 6" (152) Inlet • 48" (1219) Long, 8" (203) Inlet

Airflow, CFM/FT.	20	30	40	50	60	70
Static Pressure	.027	.059	.104	.153	.228	.307
Noise Criteria	20	23	27	30	33	35
Throw 1	3.3	6.3	8.0	9.5	10.7	11.7
Throw 2	11.5	15.0	19.0	21.0	23.0	24.5

#### 2 Slot • 24" (610) Long, 8" (203) Inlet • 48" (1219) Long, 10" (254) Inlet

Airflow, CFM/FT.	40	60	80	100	120	140
Static Pressure	.028	.061	.115	.165	.240	.335
Noise Criteria	20	24	29	33	36	38
Throw 1	3.7	7.7	9.0	10.5	12.0	13.0
Throw 2	12.5	16.0	19.0	22.0	24.0	25.5

#### 3 Slot • 24" (610) Long, 8" (203) Inlet • 48" (1219) Long, 10" (254) Inlet

Airflow, CFM/FT.	60	90	120	150	180	210
Static Pressure	.030	.064	.120	.184	.265	.350
Noise Criteria	21	25	30	35	39	42
Throw 1	4.5	9.0	10.2	11.5	13.0	14.0
Throw 2	12.7	17.0	20.0	23.0	25.2	27.5

#### 4 Slot • 24" (610) Long, 10" (254) Inlet • 48" (1219) Long, 12" (305) Inlet

Airflow, CFM/FT.	80	120	160	200	240	280
Static Pressure	.034	.071	.134	.203	.292	.392
Noise Criteria	22	26	31	37	41	45
Throw 1	5.2	10.0	11.2	12.0	13.5	15.0
Throw 2	13.5	17.7	21.0	24.5	26.5	29.0

#### Performance Notes:

- Throws are given at 150 and 50 fpm terminal velocities under isothermal conditions.  
Throw 1 is Throw @ 150 feet per minute terminal velocity at 9'-0" ceiling height.  
Throw 2 is Throw @ 50 feet per minute terminal velocity at 9'-0" ceiling height.
- All Pressures are in inches w.g..
- Throw data is for one-way blow in opposite direction to inlet collar under isothermal conditions.
- Noise Criteria [NC] values based on a room absorption of 10 dB, re 10<sup>-12</sup> watts. Dash (-) in space denotes a Noise Criteria level less than 15.
- Data derived from tests conducted in accordance with ANSI/ASHRAE Standard 70 – 2006.

Number of Slots	Ak Factor per foot	
	Supply	Return
1	.031	.039
2	.059	.079
3	.083	.117
4	.108	.156

C  
PLENUM SLOT AND LIGHT TROFFER DIFFUSERS



## PERFORMANCE DATA • MODEL SERIES 5600

### MODEL: 5610(I) • 1" (25) SLOT WIDTH

#### 1 Slot • 24" (610) Long

<b>6" Round Inlet</b>	Airflow, CFM	<b>50</b>	<b>75</b>	<b>95</b>	<b>120</b>	<b>140</b>	<b>165</b>	<b>185</b>
	Total Pressure	.046	.093	.141	.216	.287	.390	.483
	Static Pressure	.042	.083	.125	.191	.252	.342	.423
	Noise Criteria	–	18	23	29	32	36	38
	Throw	6-11-20	11-16-25	14-19-28	17-22-31	19-24-33	21-26-35	23-27-37
<b>8" Round Inlet</b>	Airflow, CFM	<b>50</b>	<b>80</b>	<b>105</b>	<b>135</b>	<b>160</b>	<b>190</b>	<b>215</b>
	Total Pressure	.044	.102	.162	.248	.332	.446	.554
	Static Pressure	.043	.098	.156	.238	.318	.427	.529
	Noise Criteria	–	17	23	29	33	37	40
	Throw	4-8-16	9-13-22	12-17-25	15-19-29	17-21-31	19-23-33	20-25-35
<b>10" Oval Inlet</b>	Airflow, CFM	<b>60</b>	<b>85</b>	<b>110</b>	<b>135</b>	<b>160</b>	<b>185</b>	<b>210</b>
	Total Pressure	.056	.103	.162	.232	.314	.408	.513
	Static Pressure	.055	.101	.159	.228	.308	.400	.503
	Noise Criteria	–	15	22	27	31	35	38
	Throw	5-10-19	10-15-25	13-19-29	16-22-33	19-24-35	21-26-38	22-28-40

#### 1 Slot • 48" (1219) Long

<b>6" Round Inlet</b>	Airflow, CFM	<b>80</b>	<b>120</b>	<b>155</b>	<b>195</b>	<b>230</b>	<b>270</b>	<b>305</b>
	Total Pressure	.040	.109	.175	.256	.334	.428	.516
	Static Pressure	.029	.084	.133	.190	.241	.300	.353
	Noise Criteria	–	17	24	30	35	39	43
	Throw	6-11-20	11-16-26	14-20-30	17-23-34	19-25-36	21-27-38	23-29-40
<b>8" Round Inlet</b>	Airflow, CFM	<b>100</b>	<b>140</b>	<b>180</b>	<b>220</b>	<b>260</b>	<b>300</b>	<b>340</b>
	Total Pressure	.043	.084	.138	.204	.283	.375	.479
	Static Pressure	.038	.074	.120	.178	.246	.326	.416
	Noise Criteria	–	15	22	28	32	36	40
	Throw	8-11-19	11-15-23	14-18-26	16-20-29	17-22-31	19-24-33	20-25-34
<b>10" Oval Inlet</b>	Airflow, CFM	<b>100</b>	<b>145</b>	<b>190</b>	<b>235</b>	<b>280</b>	<b>325</b>	<b>370</b>
	Total Pressure	.036	.076	.128	.191	.265	.350	.447
	Static Pressure	.034	.071	.119	.177	.246	.325	.414
	Noise Criteria	–	18	24	29	32	36	39
	Throw	3-6-14	6-10-19	9-14-23	11-16-26	13-19-28	15-20-30	16-22-32
<b>12" Oval Inlet</b>	Airflow, CFM	<b>120</b>	<b>170</b>	<b>220</b>	<b>270</b>	<b>320</b>	<b>370</b>	<b>420</b>
	Total Pressure	.049	.097	.160	.238	.331	.439	.562
	Static Pressure	.047	.093	.153	.228	.317	.421	.538
	Noise Criteria	–	20	26	31	35	39	42
	Throw	5-11-21	10-16-26	14-20-30	17-23-33	20-25-36	22-27-38	24-29-40

#### Performance Notes:

1. Throws are given at 150, 100 and 50 fpm terminal velocities under isothermal conditions.
2. All Pressures are in inches w.g..
3. Cataloged throws are for a one-way horizontal air pattern. For divided airflow, deduce the airflow in each direction according to the number of slots, with the total airflow apportioned between the slots. Look up throw for the airflow in each direction according to the number of slots in that direction.
4. Noise Criteria [NC] values based on a room absorption of 10 dB, re 10<sup>-12</sup> watts. Dash (–) in space denotes a Noise Criteria level less than 15.
5. Data derived from tests conducted in accordance with ANSI/ASHRAE Standard 70 – 2006.

Number of Slots	Ak Factor per foot	
	Supply	Return
1	.031	.039
2	.059	.079

## PERFORMANCE DATA • MODEL SERIES 5600

### MODEL: 5610(I) • 1" (25) SLOT WIDTH

#### 2 Slot • 24" (610) Long

<b>6" Round Inlet</b>	Airflow, CFM	<b>90</b>	<b>125</b>	<b>160</b>	<b>195</b>	<b>230</b>	<b>265</b>	<b>300</b>
	Total Pressure	.051	.097	.156	.228	.313	.412	.524
	Static Pressure	.037	.069	.111	.161	.220	.288	.366
	Noise Criteria	–	21	27	32	36	40	43
	Throw	11-15-25	15-20-29	18-23-33	21-26-36	23-28-38	25-30-40	26-31-42
<b>8" Round Inlet</b>	Airflow, CFM	<b>90</b>	<b>130</b>	<b>170</b>	<b>210</b>	<b>250</b>	<b>290</b>	<b>330</b>
	Total Pressure	.041	.070	.111	.166	.233	.313	.405
	Static Pressure	.037	.061	.096	.142	.199	.267	.346
	Noise Criteria	–	19	25	30	35	38	41
	Throw	8-13-21	13-17-26	16-20-29	18-23-32	20-25-34	22-26-36	23-28-38
<b>10" Oval Inlet</b>	Airflow, CFM	<b>100</b>	<b>145</b>	<b>190</b>	<b>235</b>	<b>280</b>	<b>325</b>	<b>370</b>
	Total Pressure	.042	.071	.116	.178	.257	.353	.465
	Static Pressure	.040	.066	.107	.165	.238	.327	.432
	Noise Criteria	–	17	25	31	36	40	43
	Throw	10-15-24	14-20-29	18-23-33	21-26-36	23-28-39	25-30-41	27-32-43

#### 2 Slot • 48" (1219) Long

<b>6" Round Inlet</b>	Airflow, CFM	<b>150</b>	<b>185</b>	<b>220</b>	<b>255</b>	<b>290</b>	<b>325</b>	<b>360</b>
	Total Pressure	.092	.133	.183	.242	.310	.387	.472
	Static Pressure	.053	.073	.098	.128	.162	.201	.244
	Noise Criteria	–	–	21	26	31	36	39
	Throw	7-10-16	8-12-18	10-13-19	11-14-21	12-16-22	13-17-23	13-17-24
<b>8" Round Inlet</b>	Airflow, CFM	<b>160</b>	<b>220</b>	<b>280</b>	<b>340</b>	<b>400</b>	<b>460</b>	<b>520</b>
	Total Pressure	.049	.089	.140	.201	.274	.357	.450
	Static Pressure	.035	.063	.097	.138	.186	.241	.303
	Noise Criteria	–	15	23	29	34	39	43
	Throw	9-14-20	13-18-25	15-20-29	18-22-31	19-24-34	21-26-36	22-27-38
<b>10" Oval Inlet</b>	Airflow, CFM	<b>180</b>	<b>250</b>	<b>320</b>	<b>390</b>	<b>460</b>	<b>530</b>	<b>600</b>
	Total Pressure	.042	.077	.126	.188	.263	.352	.454
	Static Pressure	.034	.062	.101	.151	.213	.285	.367
	Noise Criteria	–	16	24	30	35	39	43
	Throw	10-14-22	13-18-26	16-20-29	19-23-32	20-24-34	22-26-35	23-27-37
<b>12" Oval Inlet</b>	Airflow, CFM	<b>200</b>	<b>285</b>	<b>370</b>	<b>455</b>	<b>540</b>	<b>625</b>	<b>710</b>
	Total Pressure	.047	.098	.165	.247	.345	.460	.590
	Static Pressure	.042	.087	.146	.219	.306	.407	.522
	Noise Criteria	–	18	26	32	37	41	44
	Throw	9-14-22	13-18-27	16-21-31	18-24-33	20-25-36	22-27-38	23-28-40

#### Performance Notes:

1. Throws are given at 150, 100 and 50 fpm terminal velocities under isothermal conditions.
2. All Pressures are in inches w.g..
3. Cataloged throws are for a one-way horizontal air pattern. For divided airflow, deduce the airflow in each direction according to the number of slots, with the total airflow apportioned between the slots. Look up throw for the airflow in each direction according to the number of slots in that direction.
4. Noise Criteria [NC] values based on a room absorption of 10 dB, re 10<sup>-12</sup> watts. Dash (–) in space denotes a Noise Criteria level less than 15.
5. Data derived from tests conducted in accordance with ANSI/ASHRAE Standard 70 – 2006.

Number of Slots	Ak Factor per foot	
	Supply	Return
1	.031	.039
2	.059	.079

## PERFORMANCE DATA • MODEL SERIES 5800R

### MODEL: 5810R(I)

#### 1" (25) Slot • 24" (610) Long

1 Slot	Airflow, CFM	40	60	80	100	120	140	160	180	200
	Negative Static Pressure	.010	.021	.038	.059	.085	.116	.152	.192	.238
	Noise Criteria	–	–	–	–	18	22	26	29	32
2 Slot	Airflow, CFM	80	120	160	200	240	280	320	360	400
	Negative Static Pressure	.010	.021	.038	.059	.085	.116	.152	.192	.238
	Noise Criteria	–	–	–	15	21	25	29	32	35
3 Slot	Airflow, CFM	120	180	240	300	360	420	480	540	600
	Negative Static Pressure	.010	.021	.038	.059	.085	.116	.152	.192	.238
	Noise Criteria	–	–	–	17	23	27	31	34	37
4 Slot	Airflow, CFM	160	240	320	400	480	560	640	720	800
	Negative Static Pressure	.010	.021	.038	.059	.085	.116	.152	.192	.238
	Noise Criteria	–	–	–	18	24	28	32	35	38

#### 1" (25) Slot • 48" (1219) Long

1 Slot	Airflow, CFM	80	120	160	200	240	280	320	360	400
	Negative Static Pressure	.010	.021	.038	.059	.085	.116	.152	.192	.238
	Noise Criteria	–	–	–	–	18	22	26	29	32
2 Slot	Airflow, CFM	160	240	320	400	480	560	640	720	800
	Negative Static Pressure	.010	.021	.038	.059	.085	.116	.152	.192	.238
	Noise Criteria	–	–	–	15	21	25	29	32	35
3 Slot	Airflow, CFM	240	360	480	600	720	840	960	1080	1200
	Negative Static Pressure	.010	.021	.038	.059	.085	.116	.152	.192	.238
	Noise Criteria	–	–	–	17	23	27	31	34	37
4 Slot	Airflow, CFM	320	480	640	800	960	1120	1280	1440	1600
	Negative Static Pressure	.010	.021	.038	.059	.085	.116	.152	.192	.238
	Noise Criteria	–	–	–	18	24	28	32	35	38

## PERFORMANCE DATA • MODEL SERIES 5600R

### MODEL: 5675R(I)

#### 3/4" (19) Slot • 24" (610) Long

1 Slot	Airflow, CFM	30	45	60	75	90	105	120	135	150
	Negative Static Pressure	.010	.021	.038	.059	.085	.116	.152	.192	.238
	Noise Criteria	–	–	–	–	18	22	26	29	32
2 Slot	Airflow, CFM	60	90	120	150	180	210	240	270	300
	Negative Static Pressure	.010	.021	.038	.059	.085	.116	.152	.192	.238
	Noise Criteria	–	–	–	15	21	25	29	32	35

#### 3/4" (19) Slot • 48" (1219) Long

1 Slot	Airflow, CFM	60	90	120	150	180	210	240	270	300
	Negative Static Pressure	.010	.021	.038	.059	.085	.116	.152	.192	.238
	Noise Criteria	–	–	–	–	18	22	26	29	32
2 Slot	Airflow, CFM	120	180	240	300	360	420	480	540	600
	Negative Static Pressure	.010	.021	.038	.059	.085	.116	.152	.192	.238
	Noise Criteria	–	–	–	15	21	25	29	32	35

#### Performance Notes:

- Neg. Static Pressures is in inches w.g..
- Noise Criteria [NC] values based on 10 dB room absorption, re 10<sup>-12</sup> watts.
- Dash (–) in space indicates an Noise Criteria level of less than 15.
- Data derived from tests conducted in accordance with ANSI/ASHRAE Standard 70–2006.