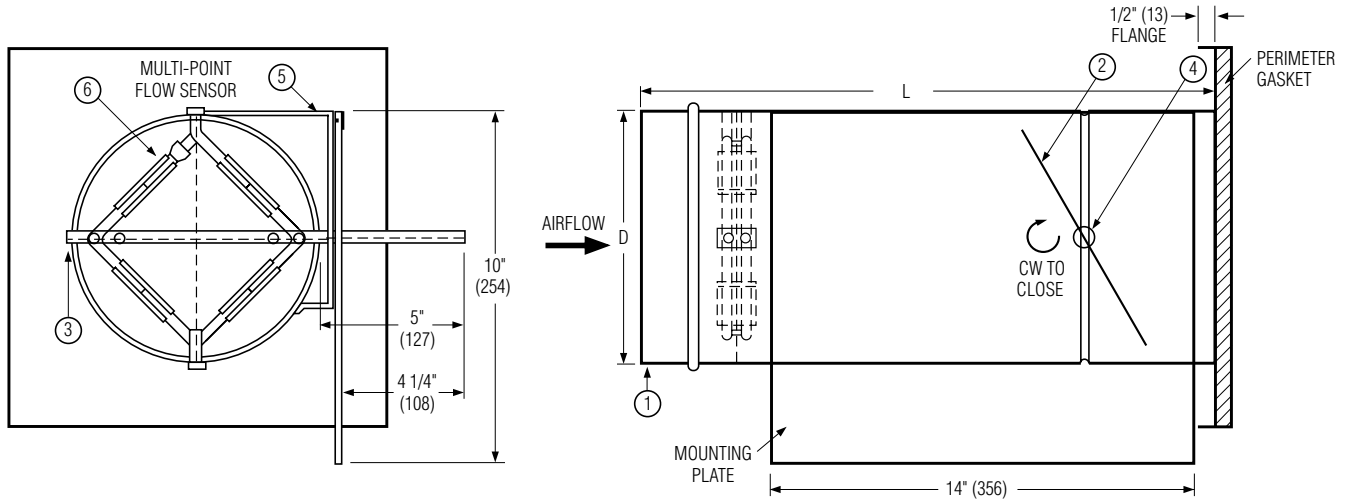


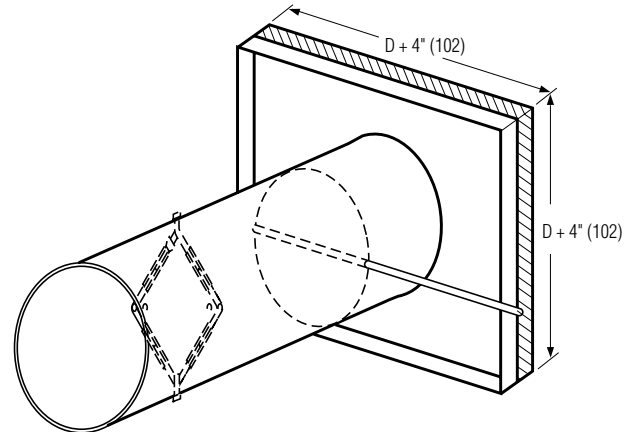


TRANE® ROUND RETROFIT TERMINAL UNIT
DIGITAL OR ANALOG ELECTRONIC CONTROL
PRESSURE INDEPENDENT • VARIABLE AIR VOLUME •
EXTERNAL
MODEL: D36VRTR



Dimensional Data

| Unit Size | Airflow Range cfm (l/s) | D | L |
|-----------|-------------------------|--------------|----------|
| 4 | 0 – 225 (0 – 106) | 3 7/8 (98) | 18 (457) |
| 5 | 0 – 400 (0 – 189) | 4 7/8 (124) | 18 (457) |
| 6 | 0 – 550 (0 – 260) | 5 7/8 (149) | 18 (457) |
| 7 | 0 – 800 (0 – 378) | 6 7/8 (175) | 18 (457) |
| 8 | 0 – 1100 (0 – 579) | 7 7/8 (200) | 18 (457) |
| 9 | 0 – 1400 (0 – 661) | 8 7/8 (225) | 20 (508) |
| 10 | 0 – 1840 (0 – 868) | 9 7/8 (251) | 20 (508) |
| 12 | 0 – 2500 (0 – 1081) | 11 7/8 (302) | 20 (508) |
| 14 | 0 – 3370 (0 – 1590) | 13 7/8 (352) | 22 (559) |
| 16 | 0 – 4525 (0 – 2135) | 15 7/8 (403) | 22 (559) |



Standard Construction:

1. Casing: 22 ga. (0.86), corrosion-resistant steel with stiffening beads.
2. Blade: Two layers of 20 ga. (1.00), corrosion-resistant steel laminated together with a cross-linked polyethylene peripheral gasket for tight shut-off. 90° rotation, CW to close. Damper leakage is less the 1% of the terminal rated airflow at 3" w.g. (750 pa.) and less than 2% at 6" w.g. (1500 pa.) as tested in accordance with ANSI / ASHRAE Standard 130.
3. Bearings: Self-lubricating oilite bronze.
4. Drive Shaft/Axles: 1/2" (13) diameter plated steel, double-bolted to blades. Indicator mark on the end of the shaft to show damper position.
5. Mounting plate for field or factory mount controls.
6. Multi-point averaging Diamond Flow Sensor: Aluminum construction. Supplied with brass balancing tees.
7. Right-hand control location is standard (as shown) when looking in direction of airflow. Left-hand is optional.

Controls:

- Digital (by others).
- See separate submittal.

Options and Accessories:

- FMI Removable Flow Sensor (See submittal 36FMI-1).
- 24 VAC Control transformer.
- Toggle disconnect switch.
- Dust tight enclosure seal.
- Special features _____.

| | | | | |
|-----------------------|-------------------------------|-----------------|-------------------|--------------------|
| SCHEDULE TYPE: | Dimensions are in inches (mm) | | | |
| PROJECT: | | | | |
| ENGINEER: | DATE | B SERIES | SUPERSEDES | DRAWING NO. |
| CONTRACTOR: | 3 - 24 - 17 | 3600 | 6 - 20 - 12 | 36VRTR |